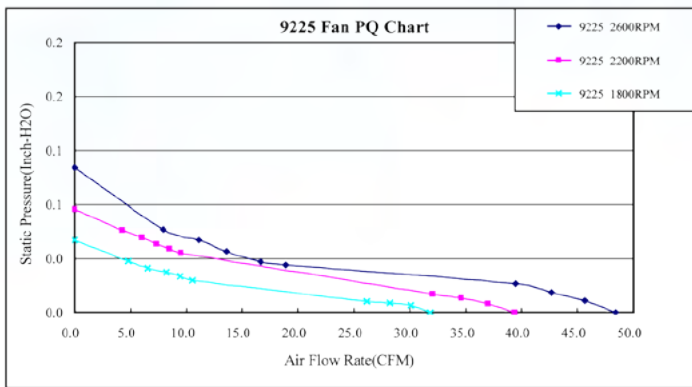


EVERCOOL

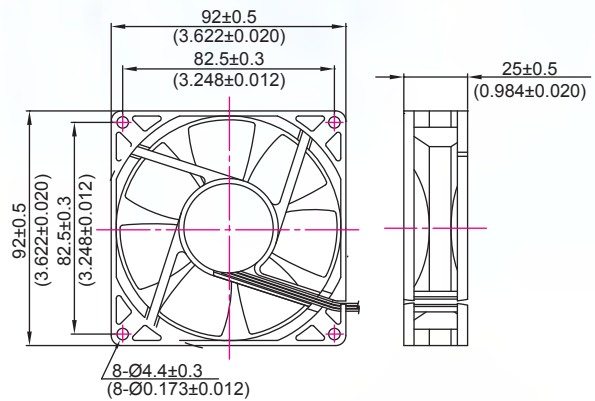
9225 series 92x92x25 mm



P&Q Curve



Dimensions Drawing



UNIT:MM/(INCH)

Specifications

Model	Rated Voltage (VDC)	Rated Current (AMP)	Power Consumption (WATTS)	Speed Reference (RPM)	Air Flow (CFM)	Static Pressure (Inch-H ₂ O)	Noise (dBA)
EC9225HH12X	12	0.27	3.24	3000	53.1	0.13	<35
EC9225H12X	12	0.21	2.52	2600	48.43	0.11	<31
EC9225M12X	12	0.15	1.8	2200	39.35	0.08	<25
EC9225L12X	12	0.09	1.08	1800	31.84	0.05	<22
EC9225LL12X	12	0.07	0.84	1500	27.39	0.04	<21
EC9225HH24X	24	0.16	4.8	3000	53.1	0.13	<35
EC9225H24X	24	0.1	2.4	2600	48.43	0.11	<31
EC9225M24X	24	0.08	1.92	2200	39.35	0.08	<25
EC9225L24X	24	0.07	1.68	1800	31.84	0.05	<22

9225 series

- ▶ Material: impeller & Frame: Plastic (UL 94V-0)
- ▶ Lead Wires: UL 1007 AWG #24 Or Equivalent
Red Wire Positive(+), Black Wire Negative(-), Yellow Wire Or Blue Wire Signal(FG)
- ▶ Function type is optional.

- ▶ The max air flow and the speed are measured in free air; max air pressure is measured at zero air flow.
- ▶ Noise is measured in anechoic chamber in free air, one meter from intake side.
- ▶ All readings are typical values at rated voltage.
- ▶ Specifications are subject to change without notice.
- ▶ Additional special function may be added according to the requirement of customer.