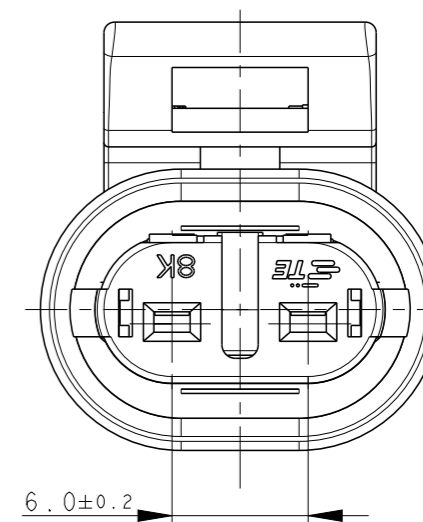
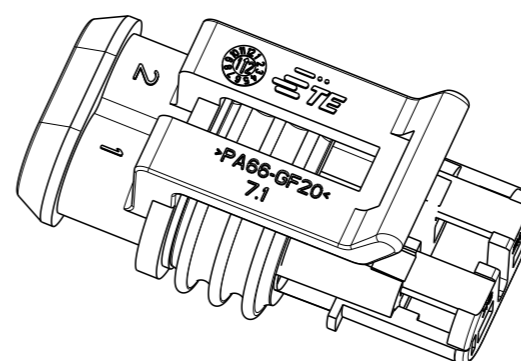
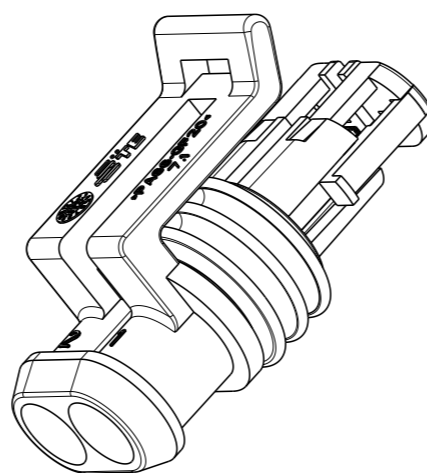
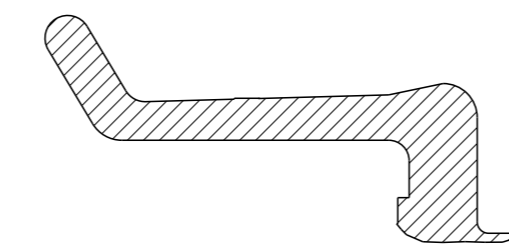
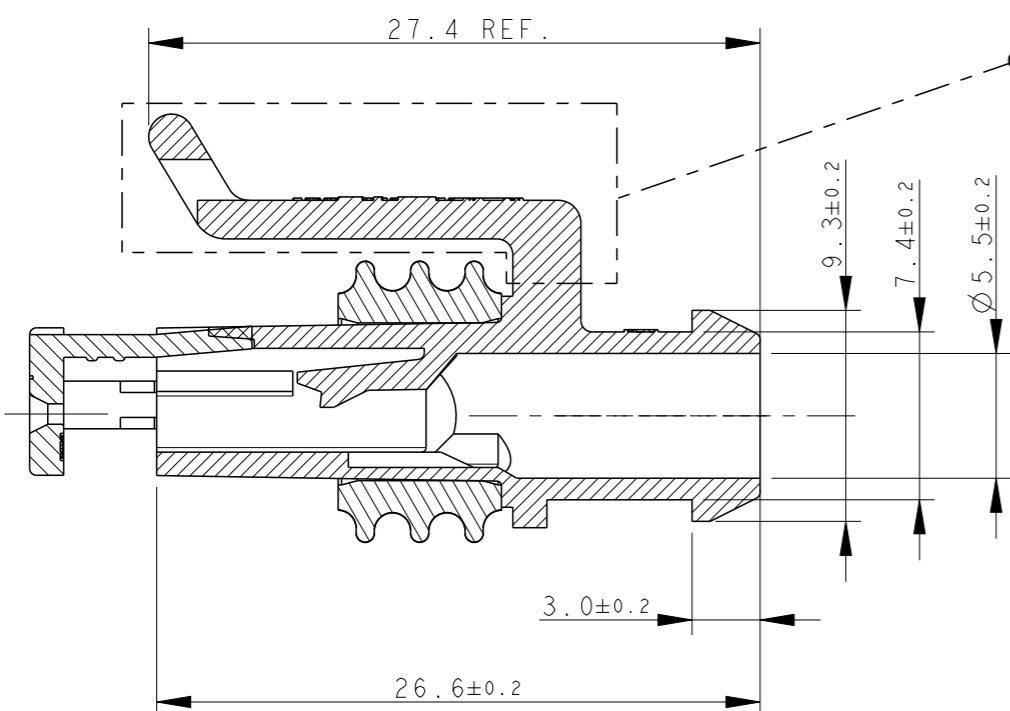


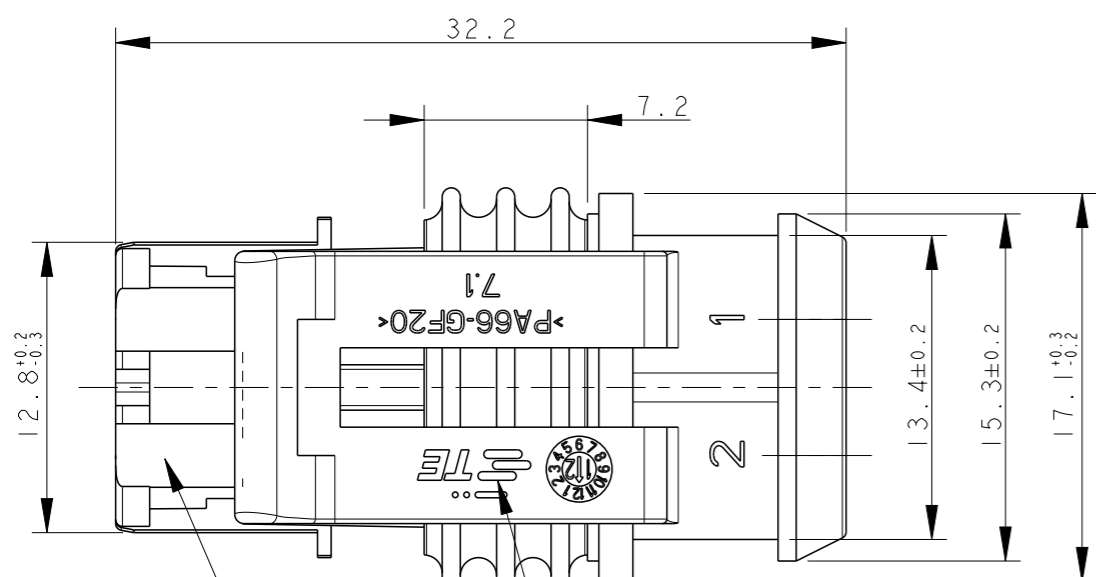
REVISIONS

P	LTR	DESCRIPTION	DATE	DWN	APVD
	D	ECR-14-009314	24MAR2015	M.P.	M.G.
	D1	REVISED (ECR-15-014031)	25SEP2015	M.G.	M.G.
	D2	ADDED FSL SEAL VERSION (ECO-15-016364)	13NOV2015	M.G.	M.G.

ALTERNATIVE DESIGN OF LOCKING LANCE



1) FOR COUNTERPART DETAILS, SEE SHEET 2 OF 2



TE CONNECTIVITY TRADE MARK, (IN ALTERNATIVE: "AMP" LOGO, OR "Tyco Electronics" LOGO)

SEALING (COLOUR YELLOW FOR LSR VERSION) (COLOUR WHITE FOR FSL VERSION)

PRE-ASSEMBLED SECONDARY LOCK (COLOUR RED)

FINISH/COLOR	MATERIAL	PART NUMBER
(*) NOT YET RELEASED FOR PRODUCTION	HOUSING+SEC.LOCK:PA66-GF SEALING: FSL	1-282080-1 (*)
BLACK	HOUSING+SEC.LOCK:PA66-GF SEALING: LSR	282080-4
BROWN		282080-3
GREEN		282080-2
GRAY		282080-1
BLACK		

THIS DRAWING IS A CONTROLLED DOCUMENT.

DWN C. BERTINI 05-1992  
CHK A. BRUNI 05-1992  
APVD -

PRODUCT SPEC 108-20090  
APPLICATION SPEC 412-20000  
WEIGHT 2.60gr

Customer Drawing

SCALE 3:1 SHEET 1 OF 2 REV D2

TE Connectivity

AMP SUPERSEAL 1.5 SRS.  
2 POSITIONS PLUG ASS'Y

SIZE A3 CAGE CODE 00779 DRAWING NO C-282080 RESTRICTED TO -

DIMENSIONS:	TOLERANCES UNLESS OTHERWISE SPECIFIED:
mm	
	0 PLC ±
	1 PLC ±0.3
	2 PLC ±
	3 PLC ±
	4 PLC ±
	ANGLES ±2°
MATERIAL	FINISH
SEE TABLE	SEE TABLE

