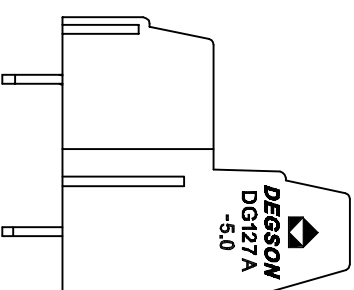
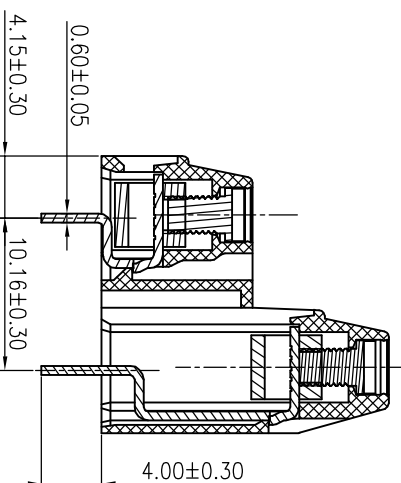
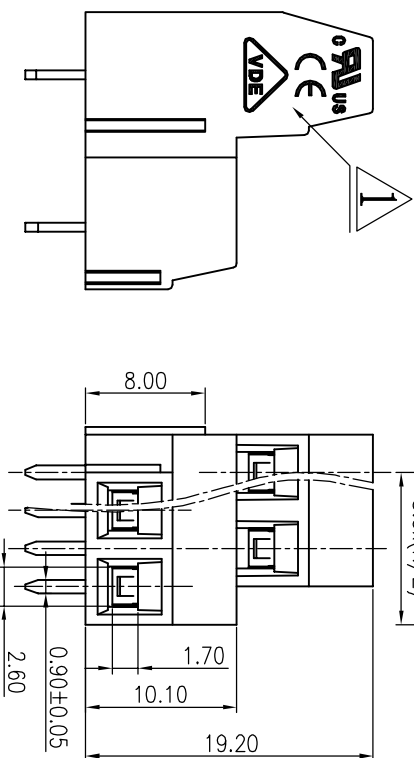
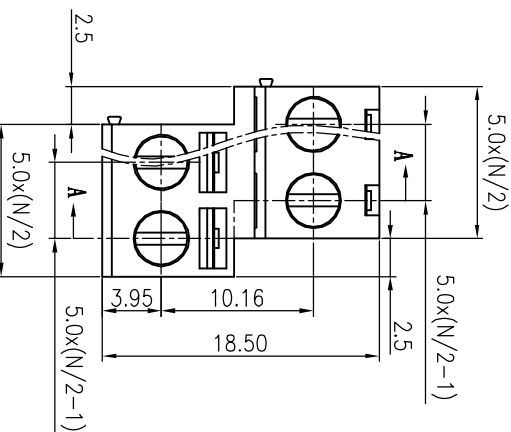
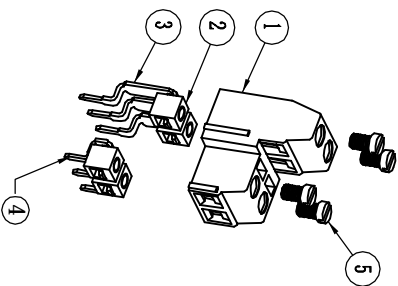


REVISION RECORD

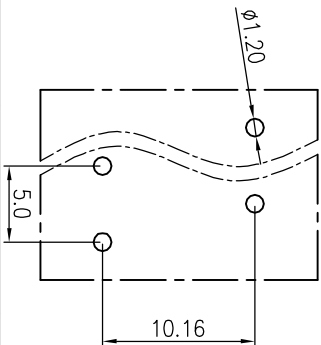
REV	ECO	DESCRIPTION	DRFT	DATE
Δ		增加插孔, 改符号	Zangy	04/03/09

- Notes:
1. Pitch: 5.0mm, Poles: 4-XXP
  2. Rated voltage/current: UL 300V/12A  
VDE 250V/15A
  3. Operation temperatures: -40°C~+105°C
  4. Withstanding Voltage: AC2000V/1Mn
  5. Insulation Resistance: 5000M Ω /DC1000V
  6. Wire Range: 26-14AWG, 0.5-1.5mm<sup>2</sup>
  7. Max. Torque Value: M2.5, 4.08kgf.cm
  8. Undimensioned Tolerances:

Pitch range in mm	Nominal dimension range in mm
over 6	over 30
to 10	to 60
to 15	to 90
to 20	to 120
to 25	to 150
to 30	to 180
to 35	to 210
to 40	to 240
to 45	to 270
to 50	to 300
to 55	to 330
to 60	to 360
to 65	to 390
to 70	to 420
to 75	to 450
to 80	to 480
to 85	to 510
to 90	to 540
to 95	to 570
to 100	to 600
to 105	to 630
to 110	to 660
to 115	to 690
to 120	to 720
to 125	to 750
to 130	to 780
to 135	to 810
to 140	to 840
to 145	to 870
to 150	to 900
to 155	to 930
to 160	to 960
to 165	to 990
to 170	to 1020
to 175	to 1050
to 180	to 1080
to 185	to 1110
to 190	to 1140
to 195	to 1170
to 200	to 1200
to 205	to 1230
to 210	to 1260
to 215	to 1290
to 220	to 1320
to 225	to 1350
to 230	to 1380
to 235	to 1410
to 240	to 1440
to 245	to 1470
to 250	to 1500
to 255	to 1530
to 260	to 1560
to 265	to 1590
to 270	to 1620
to 275	to 1650
to 280	to 1680
to 285	to 1710
to 290	to 1740
to 295	to 1770
to 300	to 1800
to 305	to 1830
to 310	to 1860
to 315	to 1890
to 320	to 1920
to 325	to 1950
to 330	to 1980
to 335	to 2010
to 340	to 2040
to 345	to 2070
to 350	to 2100
to 355	to 2130
to 360	to 2160
to 365	to 2190
to 370	to 2220
to 375	to 2250
to 380	to 2280
to 385	to 2310
to 390	to 2340
to 395	to 2370
to 400	to 2400
to 405	to 2430
to 410	to 2460
to 415	to 2490
to 420	to 2520
to 425	to 2550
to 430	to 2580
to 435	to 2610
to 440	to 2640
to 445	to 2670
to 450	to 2700
to 455	to 2730
to 460	to 2760
to 465	to 2790
to 470	to 2820
to 475	to 2850
to 480	to 2880
to 485	to 2910
to 490	to 2940
to 495	to 2970
to 500	to 3000
to 505	to 3030
to 510	to 3060
to 515	to 3090
to 520	to 3120
to 525	to 3150
to 530	to 3180
to 535	to 3210
to 540	to 3240
to 545	to 3270
to 550	to 3300
to 555	to 3330
to 560	to 3360
to 565	to 3390
to 570	to 3420
to 575	to 3450
to 580	to 3480
to 585	to 3510
to 590	to 3540
to 595	to 3570
to 600	to 3600
to 605	to 3630
to 610	to 3660
to 615	to 3690
to 620	to 3720
to 625	to 3750
to 630	to 3780
to 635	to 3810
to 640	to 3840
to 645	to 3870
to 650	to 3900
to 655	to 3930
to 660	to 3960
to 665	to 3990
to 670	to 4020
to 675	to 4050
to 680	to 4080
to 685	to 4110
to 690	to 4140
to 695	to 4170
to 700	to 4200
to 705	to 4230
to 710	to 4260
to 715	to 4290
to 720	to 4320
to 725	to 4350
to 730	to 4380
to 735	to 4410
to 740	to 4440
to 745	to 4470
to 750	to 4500
to 755	to 4530
to 760	to 4560
to 765	to 4590
to 770	to 4620
to 775	to 4650
to 780	to 4680
to 785	to 4710
to 790	to 4740
to 795	to 4770
to 800	to 4800
to 805	to 4830
to 810	to 4860
to 815	to 4890
to 820	to 4920
to 825	to 4950
to 830	to 4980
to 835	to 5010
to 840	to 5040
to 845	to 5070
to 850	to 5100
to 855	to 5130
to 860	to 5160
to 865	to 5190
to 870	to 5220
to 875	to 5250
to 880	to 5280
to 885	to 5310
to 890	to 5340
to 895	to 5370
to 900	to 5400
to 905	to 5430
to 910	to 5460
to 915	to 5490
to 920	to 5520
to 925	to 5550
to 930	to 5580
to 935	to 5610
to 940	to 5640
to 945	to 5670
to 950	to 5700
to 955	to 5730
to 960	to 5760
to 965	to 5790
to 970	to 5820
to 975	to 5850
to 980	to 5880
to 985	to 5910
to 990	to 5940
to 995	to 5970
to 1000	to 6000



ITEM	NAME OF PART	NO. OF PART	Q'TY	MATERIAL	NOTES
3	DG127A-5.08-PIN	4107B00010(H)	XX/2	BRASS	Slit plated
2	DG127 Cage	X00000170(H)	XX	BRASS	Ni plated
1	DG127A-5.0-Housing	4106A0YXXA(H)	1	PA66	UL94V-0B



DETACHED LISTS

ANGLES ± 1°	±
0.0 ± 0.00 ±	±
1000 ±	±

FINISH:	G.E.:
SCALE: 1:1	

NAME	DEGSON	宁波德胜电子有限公司
DEGSON	DEGSON ELECTRONICS CO., LTD	
NAME	DG127A-5.0-XXP-1Y-00A(H)	
DRAWING NO.	DG127A-5.0-E01	
/PART NO.		
DO NOT SCALE DRAWING		

5	DG127 "—" Screws	S000001450 (H)	XX	Steel	Cr <sup>3</sup> Zn
4	DG127-5.08-PIN	4028B00010 (H)	XX/2	COPPER	Slit plated