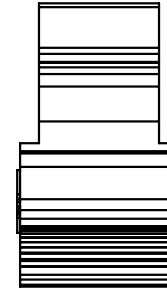
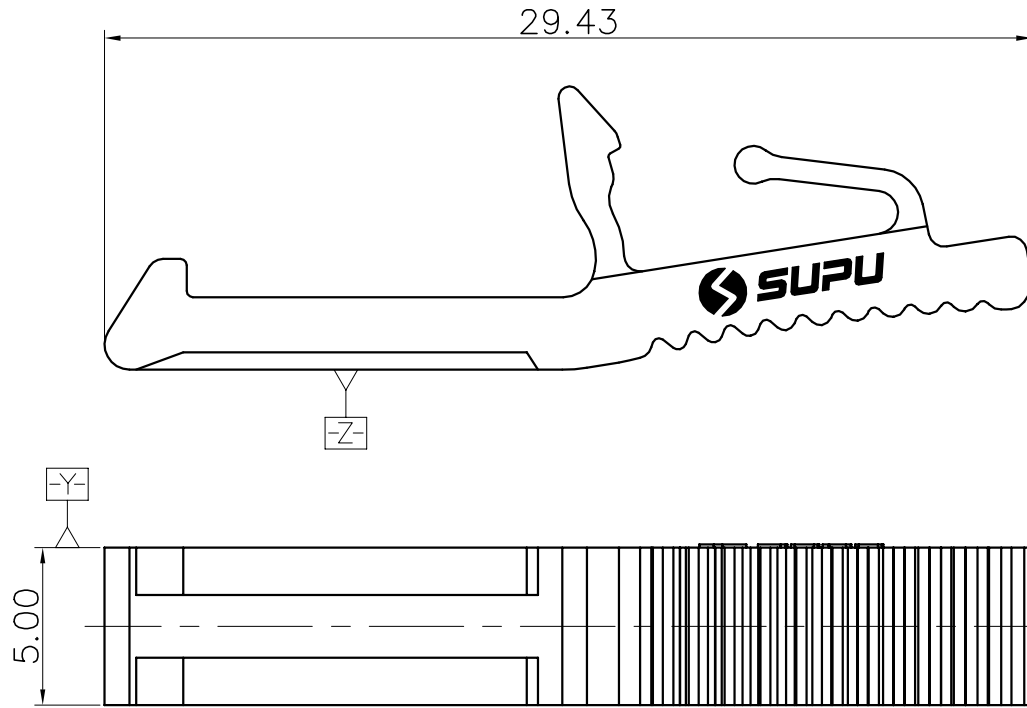


Transmittal, reproduction, dissemination and/or editing of this document as well as utilization of its contents and communication thereof to others without express authorization are prohibited.

未经允许禁止传输、复制、编辑该文档，以及利用其内容进行交流

REVISION RECORD				
REV	ECN	DESCRIPTION	DRFT	DATE



Material:

Insulator	PA66	UL94 V-0
-----------	------	----------

General information:

- 1.Dimension shall be interpreted per ASME Y14.5-2009
- 2.Operating temperature: -40°C~+105°C
- 3.RoHS Compliance
- 4.Undimensioned Tolerances:

Pitch Range In mm		Nominal Dimension Range In mm				- / □ / ▽	
TO	Over	TO	Over	TO	Over	TO	Over
6	10	30	60	100	150	0.1/10	
±0.15	±0.20	±0.30	±0.50	±0.70	±1.00	±1.30	±2'

HOW TO ORDER:
TPP2.5-PR

Series No.

借通用件登记
Common Part

原图号
Old Draw. No.

底图总号
Assembly No.

订货号 Order No.	TPP2.5-PR		名称 Name	TP系列-插拔式正面 接线插头锁扣- 2.5mm ² 橙色	未注公差 Tolerance	表面 Surface	
项目 Item	签字 Signature	日期 Date	图号 Drawing No.	PRM002661	Tolerances Table		VDI21
设计 Design	Nick	05/08/21	材料 Material	Notes	版本号 Revision Number	重量 Weight	比例 Scale
审核 Check	DF	05/08/21	物料号 Item No.	411862024	T0-1	/	1:1
工艺 Process	-	-			第1页/共1页 1 of 1	⊕ ⊖ mm	
标准化 Unify	-	-			SUPU 宁波盛普电子有限公司 NINGBO SUPU ELECTRONICS CO.,LTD.		
批准 Approve	DAVID	05/08/21					

1

2

3

4

5

6

7

8

A

B

C

D

E

F