

产品规格书

Product Specification

Model Name (产品名称)	TFT-LCD Module		
Part Number (产品型号)	HY0192GL01-S070		
Item (项目)	Prepared (拟制)	Checked (审核)	Approved (批准)
Signature (签名)			
Date (日期)			
Note (备注)			
Customer: (客户)			
		Signature (签名)	
		Date (日期)	

Revision Record

Version	Issued Date	Page	Old Description	New Description
0.0	2015-05-09	\	Initial release	\

- CONTENTS -

1. GENERAL DESCRIPTION	3
1.1 OVERVIEW	3
1.2 CHARACTERISTICS	3
1.3 MECHANICAL SPECIFICATIONS	3
2. ABSOLUTE MAXIMUM RATINGS	3
2.1 ABSOLUTE RATINGS OF ENVIRONMENT	3
3. ELECTRICAL CHARACTERISTICS	4
3.1 ABSOLUTE MAXIMUM RATING	4
3.2 CONTROL CIRCUIT DRIVING	4
3.3 LED LIGHTBAR SPECIFICATION FOR BACKLIGHT	6
4. INTERFACE PIN CONNECTION	7
4.1 TFT LCD MODULE	7
4.2 BLOCK DIAGRAM	8
4.3 LVDS INTERFACE	8
4.4 COLOR DATA INPUT ASSIGNMENT	9
4.5 BACKLIGHT INTERFACE CONNECTION	10
5. INTERFACE TIMING	11
5.1 INPUT SIGNAL TIMING SPECIFICATIONS	11
6. OPTICAL CHARACTERISTICS	12
6.1 OPTICAL SPECIFICATION	12
7. PACKING	15
7.1 PACKING METHOD	15
9. CARTON STORAGE CONDITION	16
10. PRECAUTIONS	16
10.1 ASSEMBLY AND HANDLING PRECAUTIONS	16
10.2 SAFETY PRECAUTIONS	17
11. RELIABILITY TEST ITEMS	17
12. MECHANICAL DRAWING	18

1. GENERAL DESCRIPTION

1.1 OVERVIEW

This module is color active matrix LCD module incorporating amorphous silicon TFT(Thin Film Transistor) LCD panel. It is composed of a color TFT-LCD panel, driver ICs, LED Backlight...etc. Graphics and texts can be displayed on a 1920×RGB× 363 dots panel with about 16.7M colors (R/G/B 6bits+Hi FRC data in each color) by using LVDS(Low Voltage Differential Signaling) to interface, +5V of DC supply voltage.

1.2 CHARACTERISTICS

CHARACTERISTICS ITEMS	SPECIFICATIONS
Screen Diagonal [in]	19.2" (19.16)
Pixels [lines]	1920×363
Active Area [mm]	476 (H) x 90 (V) Pixel
Pitch [mm]	0.24825 (H) x 0.24825(V)
Pixel Arrangement	RGB vertical stripe
Display Mode	Normally White Surface
treatment (Without the protection film)	Anti-glare,3H

1.3 MECHANICAL SPECIFICATIONS

Item	Min.	Typ.	Max.	Unit	Remark	
Module Size	Horizontal (H)	496.4	497.4	498.4	mm	[Note 1]
	Vertical (V)	109.0	109.5	110.0	mm	[Note 1]
	Depth (D)	10.1	10.6	11.1	mm	[Note 1]
Weight		1780		g		

[Note 1] Please refer to the attached drawings for more information of front and back outline dimensions and the dimension of bosses are not included.

2. ABSOLUTE MAXIMUM RATINGS

2.1 ABSOLUTE RATINGS OF ENVIRONMENT

Item	Symbol	Value		Unit	Note
		Min.	Max.		
Storage Temperature	T _{ST}	-20	+60	°C	[Note 1,3]
Operating Ambient Temperature	T _{OP}	0	50	°C	[Note 1,2,3]

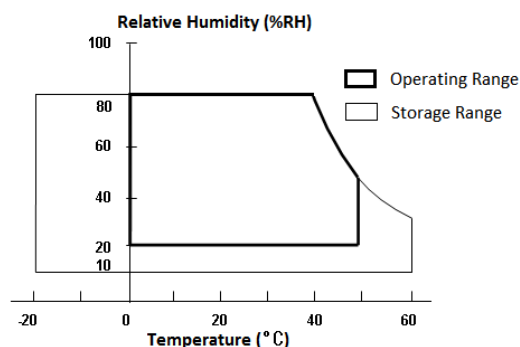
Storage Condition: With shipping package.

Shelf life: one year

[Note 1] Temperature and relative humidity range is shown in the figure below.

*1) 80 %RH Max. (Ta ≤ 40 °C).

*2) Wet-bulb temperature should be 40 °C Max. (Ta > 40 °C).



*3) No condensation.

Product Specification

[Note 2] The maximum operating temperature is based on the test condition that the surface temperature of display area is less than or equal to 50°C with LCD module alone in a temperature controlled chamber. Thermal management should be considered in your product design to prevent the surface temperature of display area from being over 60°C. The range of operating temperature may degrade in case of improper thermal management in your product design.

[Note 3] The rating of environment is base on LCD module. Leave LCD cell alone, this environment condition can't be guaranteed. Except LCD cell, the customer has to consider the ability of other parts of LCD module and LCD module process.

3. ELECTRICAL CHARACTERISTICS

3.1 ABSOLUTE MAXIMUM RATING

Parameter	Symbol	Condition	Ratings	Unit	Remark
+5V supply voltage	VCC	Ta=25°C	0 ~ +6	V	
Storage temperature	Tstg	-	-20 ~ +60	°C	
Operation temperature	Topa	-	0 ~ +50	°C	

3.2 CONTROL CIRCUIT DRIVING

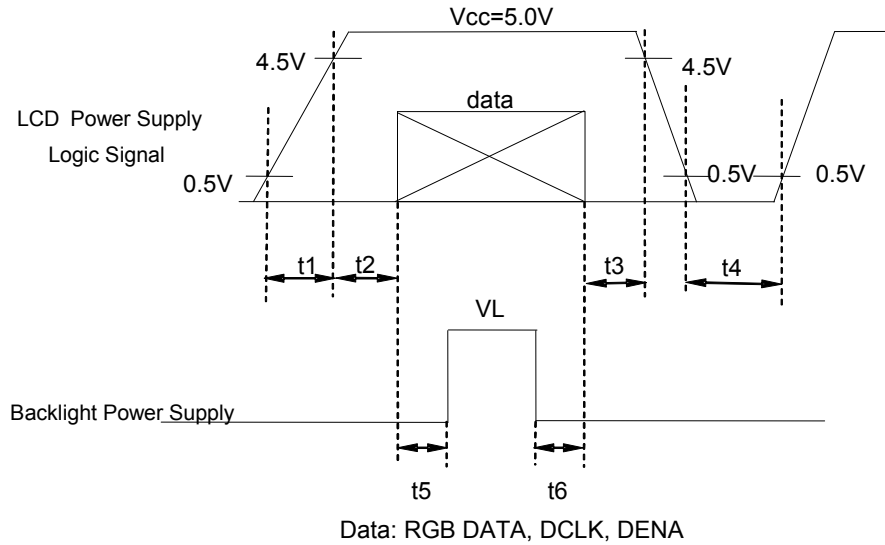
Parameter		Symbol	Min	Typ	Max	Unit	Remark
+5V supply voltage	Supply voltage	VCC	4.5	5.0	5.5	V	[Note 1]
	Current dissipation	ICC	—	820	900	mA	VCC=5.0V,60Hz Black Pattern
		IRush	—	—	3	A	[Note 2]
Permissible input ripple voltage		VRP	—	—	300	mVp-p	VCC=5.0V
Differential Input Threshold Voltage	High	VTH	—	—	100	mV	VCM=1.2V [Note 3]
	Low	VTL	-100	—	—	mV	
Input Differential Voltage		VID	100	—	600	mV	
Differential Input Common Mode Voltage		VCM	1.0	1.2	1.5	V	
Power consumption		P	—	4.1	4.5	W	

[VCM]: Common mode voltage of LVDS driver.

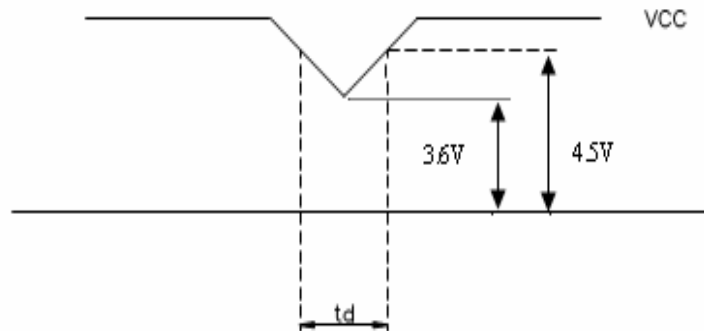
[Note1] Power, data sequence

$$\begin{array}{ll}
 0.50\text{ms} \leq t_1 \leq 10\text{ms} & t_4 \geq 1 \text{ sec} \\
 0.01\text{ms} < t_2 \leq 50\text{ms} & t_5 \geq 500\text{ms} \\
 0.01\text{ms} < t_3 \leq 50\text{ms} & t_6 \geq 200\text{ms}
 \end{array}$$

Product Specification



- ※ Data: CLKIN±, RIN0±, RIN1±, RIN2±, RIN3±
- ※ About the relation between data input and back light lighting, please base on the above-mentioned input sequence.
- ※ When back light is switched on before panel operation or after a panel operation stop, it may not display normally. But this phenomenon is not based on change of an incoming signal, and does not give damage to a liquid crystal display.
- ※ VCC-dip conditions:
 - (1) When $3.6V \leq VCC(\min) < 4.5V$, $t_d \leq 10$ ms
 - (2) When $VCC < 3.6$ V, VCC-dip conditions should also follow the VCC-turn-on conditions.

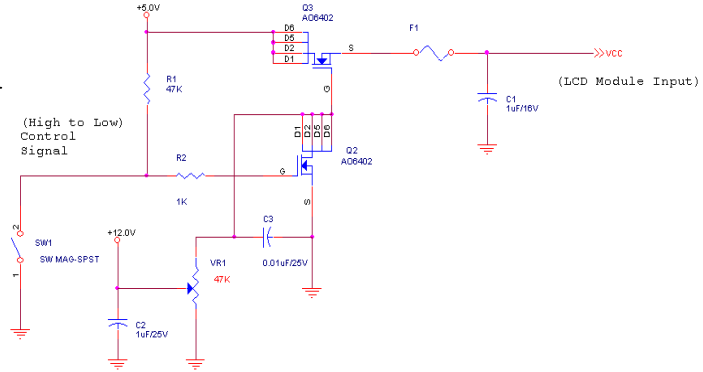
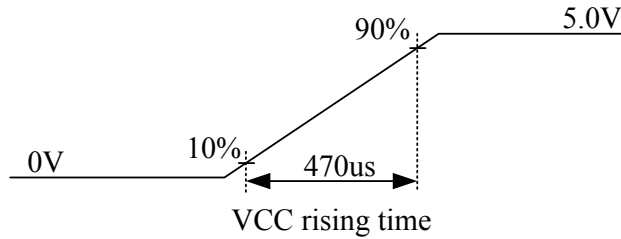


Product Specification

[Note2]

IRush Measurement Condition:

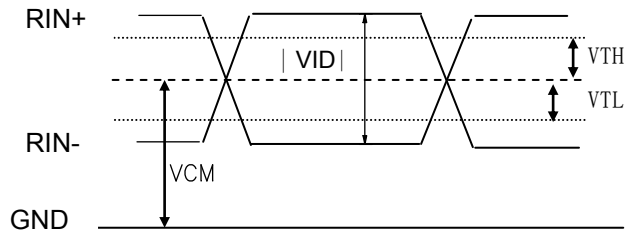
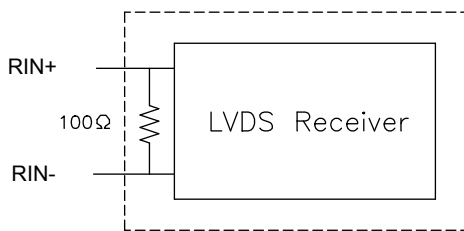
The duration of rising time of power input is 470us.



[Note3]

RIN+: Positive differential DATA & CLK Input

RIN -: Negative differential DATA & CLK Input



3.3 LED LIGHTBAR SPECIFICATION FOR BACKLIGHT

Parameter	Symbol	Value			Unit	Note
		Min.	Typ.	Max.		
Input Voltage	V_{pin}	11.8	12.0	12.2	VDC	Duty 100% [Note 1,3]
LED Light bar Current per input pin	I_{pin}	-	416.6	-	mADC	Duty 100% [Note 1,3]
LED Life Time	LT	30,000	-	-	hrs	[Note 2]
Power Consumption	PBL	4.5	5	6	W	
Dimming Duty Ratio	-	20	-	100	%	

[Note 1] Permanent damage to the device may occur if maximum values are exceeded. Function operation should be restricted to the conditions described under Normal Operating Conditions.

[Note 2] The life time of LED is defined as the time when it continues to operate under the condition at $T_a = 25 \pm 2^\circ\text{C}$ and $I_{pin} = 60 \text{ mA}$ until the brightness becomes $\leq 50\%$ of its original value.

[Note3] The backlight unit contains 1pcs lightbar.

4. INTERFACE PIN CONNECTION

4.1 TFT LCD MODULE

CN1 (Interface signals and +5V DC power supply) Shown on the next table.

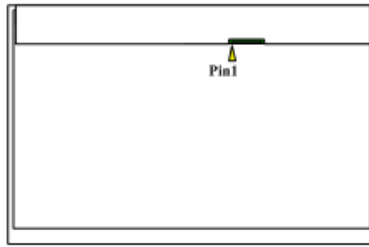
Using connector: FI-XB30SSRLA-HF-16(JAE) or compatible

Matching connector: FI-X30HL(JAE) or compatible

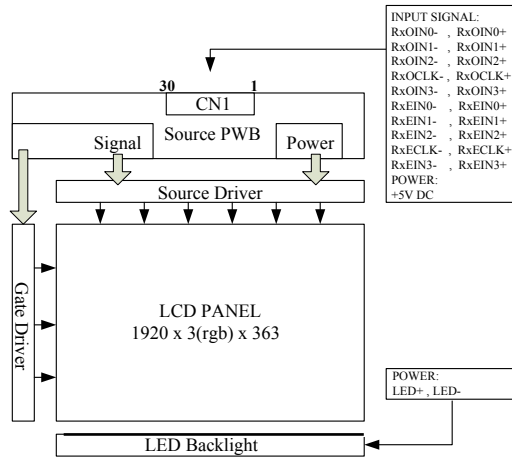
Pin No.	Symbol	Function	Remark
1	RxOIN0-	Negative LVDS DATA input(ODD)	LVDS
2	RxOIN0+	Positive LVDS DATA input(ODD)	LVDS
3	RxOIN1-	Negative LVDS DATA input(ODD)	LVDS
4	RxOIN1+	Positive LVDS DATA input(ODD)	LVDS
5	RxOIN2-	Negative LVDS DATA input(ODD)	LVDS
6	RxOIN2+	Positive LVDS DATA input(ODD)	LVDS
7	GND	Ground	
8	RxOCLK-	Negative LVDS Clock input(ODD)	LVDS
9	RxOCLK+	Positive LVDS Clock input(ODD)	LVDS
10	RxOIN3-	Negative LVDS DATA input(ODD)	LVDS
11	RxOIN3+	Positive LVDS DATA input(ODD)	LVDS
12	RxEIN0-	Negative LVDS DATA input(EVEN)	LVDS
13	RxEIN0+	Positive LVDS DATA input(EVEN)	LVDS
14	GND	Ground	
15	RxEIN1-	Negative LVDS DATA input(EVEN)	LVDS
16	RxEIN1+	Positive LVDS DATA input(EVEN)	LVDS
17	GND	Ground	
18	RxEIN2-	Negative LVDS DATA input(EVEN)	LVDS
19	RxEIN2+	Positive LVDS DATA input(EVEN)	LVDS
20	RxCLK-	Negative LVDS Clock input(EVEN)	LVDS
21	RxCLK+	Positive LVDS Clock input(EVEN)	LVDS
22	RxEIN3-	Negative LVDS DATA input(EVEN)	LVDS
23	RxEIN3+	Positive LVDS DATA input(EVEN)	LVDS
24	GND	Ground	
25	NC	No connection(Do not connect)	
26	NC	No connection(Do not connect)	
27	NC	No connection(Do not connect)	
28	VDD	POWER +5V	
29	VDD	POWER +5V	
30	VDD	POWER +5V	

Product Specification

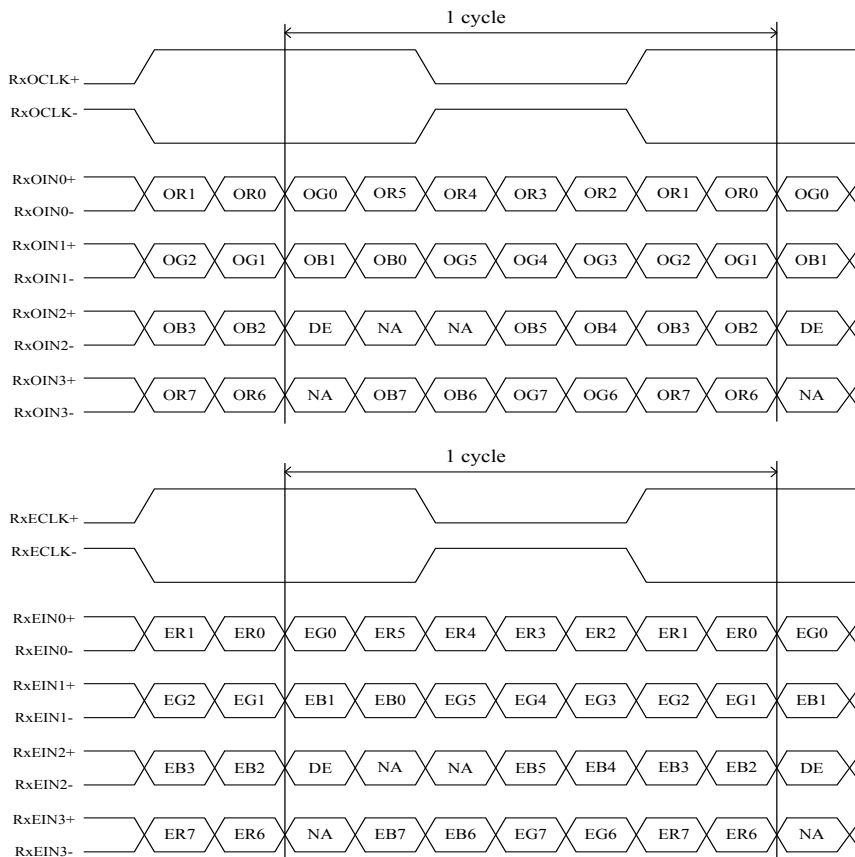
[Note 1] Pin1 start from left side.



4.2 BLOCK DIAGRAM



4.3 LVDS INTERFACE



DE: Display Enable

NA: Not Available (Fixed Low)

R/G/B Data 7: MSB, R/G/B Data 0:LSB, O : "First Pixel Data" E : "Second Pixel Data"

4.4 COLOR DATA INPUT ASSIGNMENT

Colors & Gray scale	Data signal																											
	Gray Scale	R0	R1	R2	R3	R4	R5	R6	R7	G0	G1	G2	G3	G4	G5	G6	G7	B0	B1	B2	B3	B4	B5	B6	B7			
Basic Color	Black	—	0	0	0	0	0	0	0	0	0	0	0	0	0	0	0	0	0	0	0	0	0	0	0	0	0	
	Blue	—	0	0	0	0	0	0	0	0	0	0	0	0	0	0	0	0	1	1	1	1	1	1	1	1	1	1
	Green	—	0	0	0	0	0	0	0	0	1	1	1	1	1	1	1	1	0	0	0	0	0	0	0	0	0	0
	Cyan	—	0	0	0	0	0	0	0	0	1	1	1	1	1	1	1	1	1	1	1	1	1	1	1	1	1	1
	Red	—	1	1	1	1	1	1	1	1	0	0	0	0	0	0	0	0	0	0	0	0	0	0	0	0	0	0
	Magenta	—	1	1	1	1	1	1	1	1	0	0	0	0	0	0	0	0	1	1	1	1	1	1	1	1	1	1
	Yellow	—	1	1	1	1	1	1	1	1	1	1	1	1	1	1	1	1	0	0	0	0	0	0	0	0	0	0
	White	—	1	1	1	1	1	1	1	1	1	1	1	1	1	1	1	1	1	1	1	1	1	1	1	1	1	1
Gray Scale of Red	Black	GS0	0	0	0	0	0	0	0	0	0	0	0	0	0	0	0	0	0	0	0	0	0	0	0	0	0	
	↑	GS1	1	0	0	0	0	0	0	0	0	0	0	0	0	0	0	0	0	0	0	0	0	0	0	0	0	
	Darker	GS2	0	1	0	0	0	0	0	0	0	0	0	0	0	0	0	0	0	0	0	0	0	0	0	0	0	
	↑	↓				↓							↓									↓						
	↓	↓				↓							↓									↓						
	Brighter	GS253	1	0	1	1	1	1	1	1	0	0	0	0	0	0	0	0	0	0	0	0	0	0	0	0	0	
	↓	GS254	0	1	1	1	1	1	1	1	0	0	0	0	0	0	0	0	0	0	0	0	0	0	0	0	0	
	Red	GS255	1	1	1	1	1	1	1	1	0	0	0	0	0	0	0	0	0	0	0	0	0	0	0	0	0	
Gray Scale of Green	Black	GS0	0	0	0	0	0	0	0	0	0	0	0	0	0	0	0	0	0	0	0	0	0	0	0	0	0	
	↑	GS1	0	0	0	0	0	0	0	0	1	0	0	0	0	0	0	0	0	0	0	0	0	0	0	0	0	
	Darker	GS2	0	0	0	0	0	0	0	0	0	1	0	0	0	0	0	0	0	0	0	0	0	0	0	0	0	
	↑	↓				↓							↓									↓						
	↓	↓				↓							↓									↓						
	Brighter	GS253	0	0	0	0	0	0	0	0	1	0	1	1	1	1	1	1	0	0	0	0	0	0	0	0	0	
	↓	GS254	0	0	0	0	0	0	0	0	0	1	1	1	1	1	1	1	0	0	0	0	0	0	0	0	0	
	Green	GS255	0	0	0	0	0	0	0	0	1	1	1	1	1	1	1	1	0	0	0	0	0	0	0	0	0	
Gray Scale of Blue	Black	GS0	0	0	0	0	0	0	0	0	0	0	0	0	0	0	0	0	0	0	0	0	0	0	0	0	0	
	↑	GS1	0	0	0	0	0	0	0	0	0	0	0	0	0	0	0	0	1	0	0	0	0	0	0	0	0	
	Darker	GS2	0	0	0	0	0	0	0	0	0	0	0	0	0	0	0	0	0	1	0	0	0	0	0	0	0	
	↑	↓				↓							↓									↓						
	↓	↓				↓							↓									↓						
	Brighter	GS253	0	0	0	0	0	0	0	0	0	0	0	0	0	0	0	0	1	0	1	1	1	1	1	1	1	
	↓	GS254	0	0	0	0	0	0	0	0	0	0	0	0	0	0	0	0	0	1	1	1	1	1	1	1	1	
	Blue	GS255	0	0	0	0	0	0	0	0	0	0	0	0	0	0	0	0	1	1	1	1	1	1	1	1	1	

0: Low level voltage,

1: High level voltage.

Each basic color can be displayed in 256 gray scales from 8 bit data signals. According to the combination of total 24 bit data signals, the 16,7M colors display can be achieved on the screen.

4.5 BACKLIGHT INTERFACE CONNECTION**P001:Input terminal****PH2.0-6 (2.0mm X 6)**

Pin No.	Symbol	Description	note
1	VCC	Power supply voltage +12V	
2	VCC	Power supply voltage +12V	
3	ON/OFF	Output enable signal	
4	DIM	Dimming signal	
5	GND	Power ground	
6	GND	Power ground	

5. INTERFACE TIMING

5.1 INPUT SIGNAL TIMING SPECIFICATIONS

(a) The input signal timing specifications are shown as the following table and timing diagram.

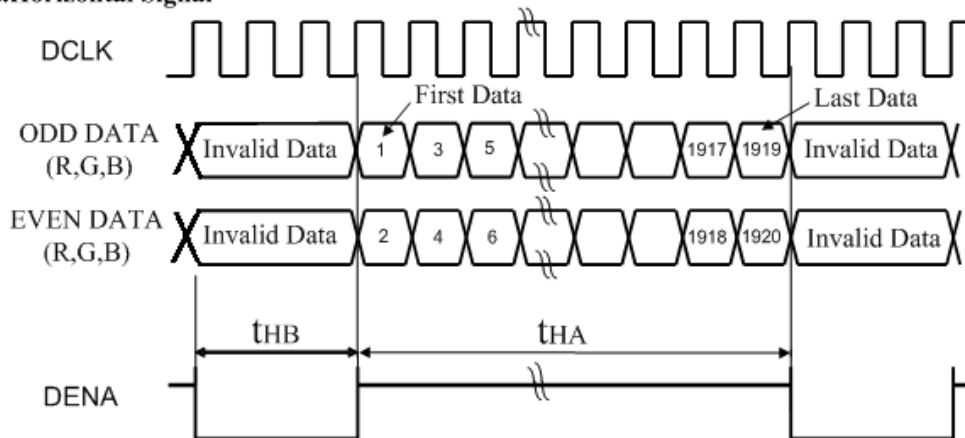
Item		Symbol	Min	Typ.	Max.	Unit	
LCD Timing	DCLK	Freq.	fCLK	55	72	90	MHz
		Cycle	tCLK	18.18	13.89	11.11	ns
	Horizontal	Horizontal effective time	tHA	960	960	960	tCLK
		Horizontal blank time	tHB	32	100	115	tCLK
		Horizontal total time	tH	992	1060	1075	tCLK
	Vertical	Vertical frame Rate	Fr	50	60	75	Hz
		Vertical total time	tV	1084	1130	1170	tH
		Vertical effective time	tVA	1080	1080	1080	tH
		Vertical blank time	tVB	4	50	90	tH

[Note]

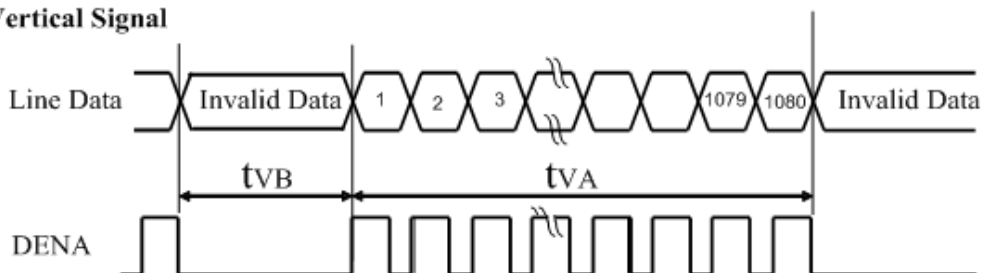
- *1) DE (data enable) usually is positive.
- *2) DCLK still inputs during blanking.
- *3) DE mode only.
- *4) It may cause flicker at 50Hz.

(b) Timing Chart

a. Horizontal Signal



b. Vertical Signal



6. OPTICAL CHARACTERISTICS

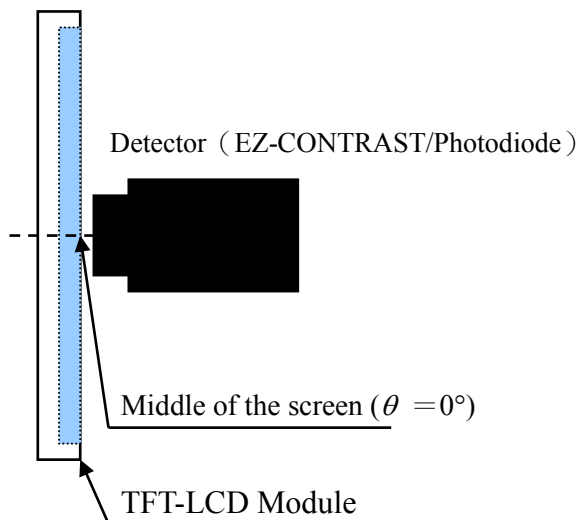
6.1 OPTICAL SPECIFICATION

Ta=25°C

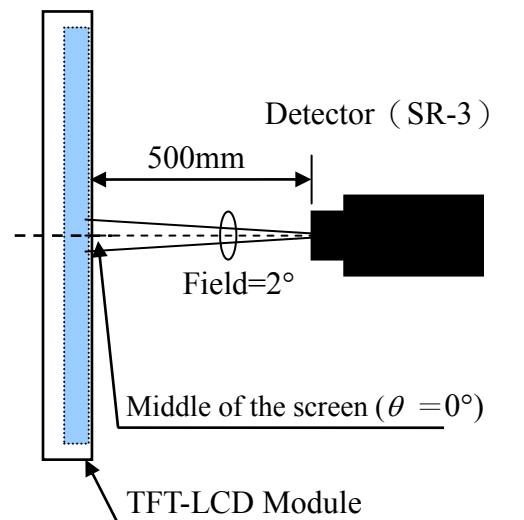
Parameter	Symbol	Condition	Min.	Typ.	Max.	Unit	Remark	
Luminance	L	$\theta = 0 \text{ deg.}$	650	700	-	cd/m ²	[Note 1,4]	
Luminance uniformity	ΔL	$\theta = 0 \text{ deg.}$	75		-	%	[Note 1,5]	
Contrast ratio	CR	$\theta = 0 \text{ deg.}$	700	1000	-	-	[Note2,4]	
Response time	Tr+Tf		-	5	8	ms	Tr+Tf [Note3,4]	
Chromaticity of white	x		Typ-0.03	0.313	Typ+0.03	-	[Note 4]	
	y		Typ-0.03	0.329	Typ+0.03	-		
Chromaticity of red	x		Typ-0.03	0.645	Typ+0.03	-		
	y		Typ-0.03	0.348	Typ+0.03	-		
Chromaticity of green	x		Typ-0.03	0.327	Typ+0.03	-		
	y		Typ-0.03	0.624	Typ+0.03	-		
Chromaticity of blue	x		Typ-0.03	0.150	Typ+0.03	-		
	y		Typ-0.03	0.061	Typ+0.03	-		
Color Gamut	C.G	-	72	-	%			
Viewing angle range	Horizontal	$\theta 21 + \theta 22$	$CR \geq 10$	160	170	-		Deg.
	Vertical	$\theta 11 + \theta 12$		150	160	-	Deg.	

*The measurement shall be executed 30 minutes after lighting at rating.

* The optical characteristics are measured using the following equipment.

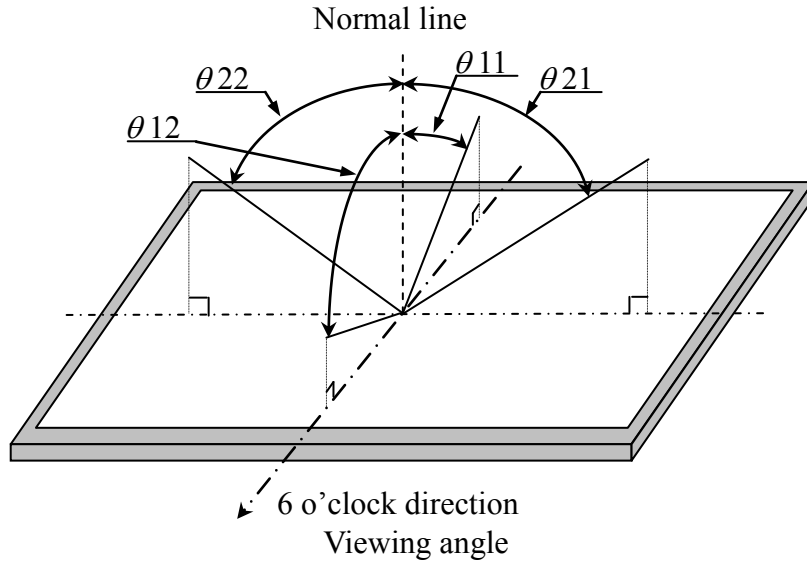


Measurement of viewing angle range, Response time.



Measurement of Contrast, Luminance, Chromaticity.

[Note 1] Definitions of viewing angle range:



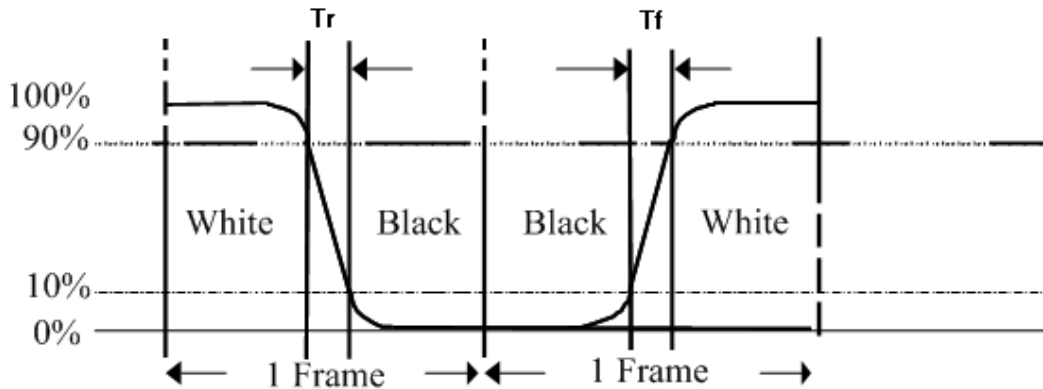
[Note 2] Definition of contrast ratio:

The contrast ratio is defined as the following.

$$\text{Contrast Ratio} = \frac{\text{Luminance (Brightness) with white screen}}{\text{Luminance (Brightness) with black screen}}$$

[Note 3] Definition of response time

The output signals of photo detector are measured when the input signals are changed from “Full White” to “Full Black” (rising time, TR), and from “Full Black” to “Full Black” (falling time, TF), respectively. The response time is interval between the 10% and 90% (1 frame at 60 Hz) of amplitudes.



$$\text{Response time} = Tr + Tf$$

[Note 4] This shall be measured at center of the screen.

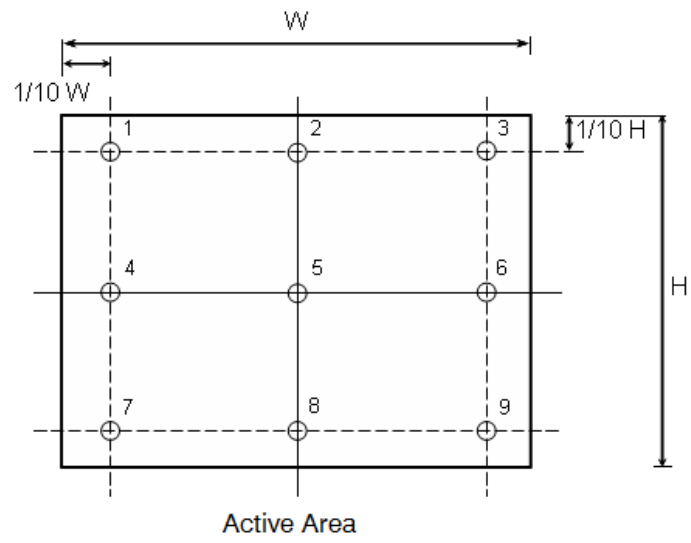
[Note 5] Definition of Luminance and Luminance uniformity:

Luminance: To measure at the center position “5” on the screen (NO.5).

Luminance uniformity: Lw (MAX) and Lw(MIN) are the maximum and minimum luminance value measure at the position “1~9” on the screen (NO.1~9) and the equation:

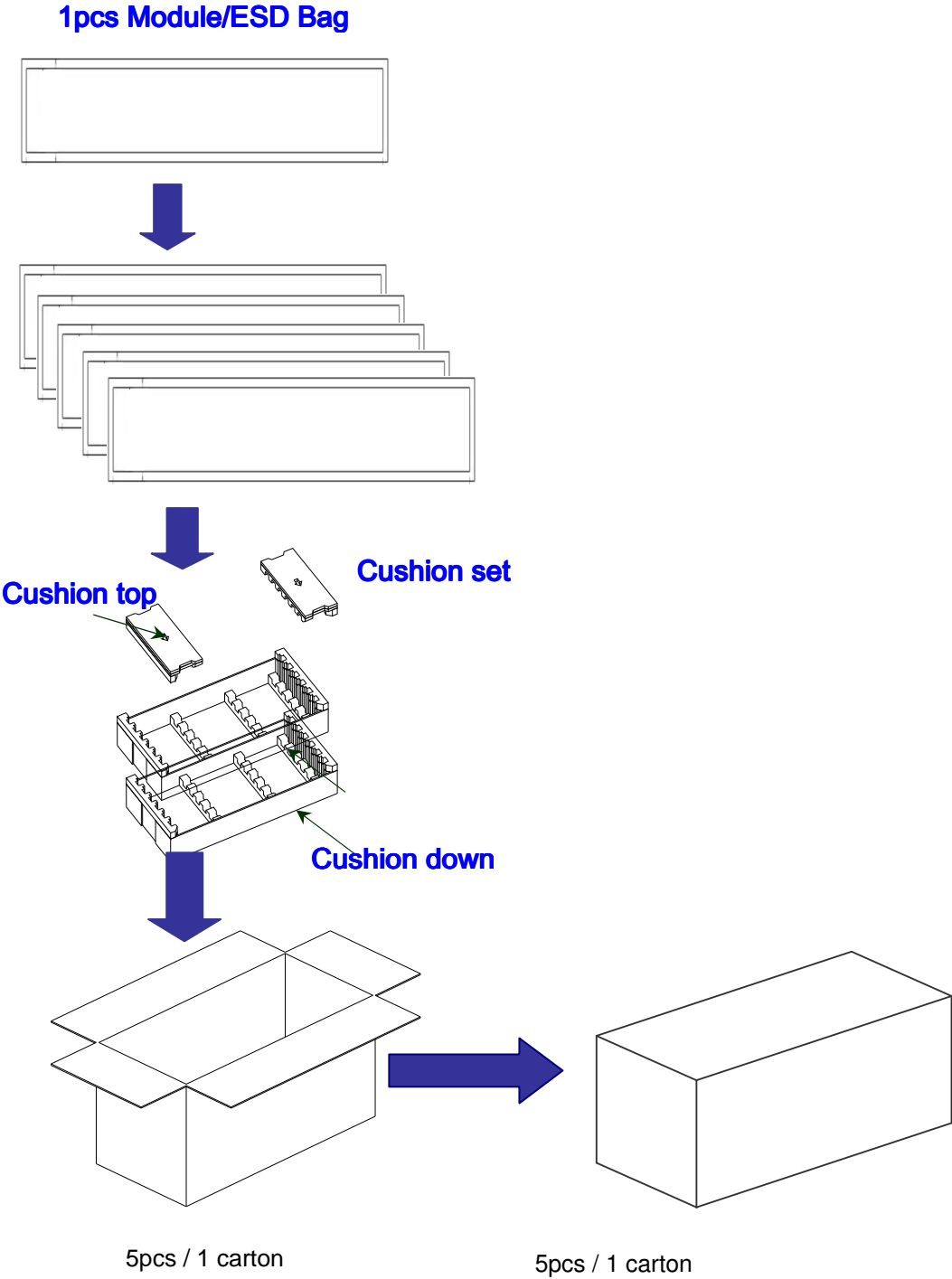
Product Specification

$$\Delta Lw = Lw(\text{MIN}) / Lw(\text{MAX}) \times 100\%$$



7. PACKING

7.1 PACKING METHOD



8. CARTON STORAGE CONDITION

Temperature: 0°C to 40°C

Humidity: 80%RH or less

Reference condition: 20°C to 35°C, 80%RH or less (summer)

5°C to 15°C, 80%RH or less (winter)

The total storage time (40°C, 80%RH): 240h or less

Sunlight Be sure to shelter a product from the direct sunlight.

Atmosphere Harmful gas, such as acid and alkali which bites electronic components and/or wires must not be detected.

Be sure to put cartons on palette or base, don't put it on floor, and store them with removing from wall. Please take care of ventilation in storehouse and around cartons, and control changing temperature is within limits of natural environment.

9 . PRECAUTIONS

9 .1 ASSEMBLY AND HANDLING PRECAUTIONS

- (a) Do not apply rough force such as bending or twisting to the module during assembly.
- (b) It is recommended to assemble or to install a module into the user's system in clean working areas. The dust and oil may cause electrical short or worsen the polarizer.
- (c) Since the LCM consists of TFT and electronic circuits with CMOS-ICs, which are very weak to electrostatic discharge, person who is handling an LCM should be grounded though adequate methods such as an anti-static wrist band. Connector pins should not be touched directly with bare hands.

Reference: Process control standard is shown as follow

	item	Management standard value and performance standard
1	Anti-static mat(shelf)	1to50 [Mega ohm]
2	Anti-static mat(floor, desk)	1to100 [Mega ohm]
3	Ionizer	Attenuate from $\pm 1000V$ to $\pm 100V$ within two seconds.
4	Anti-static wrist band	0.8 to 10 [Mega ohm]
5	Anti-static wrist band entry and ground resistance	Below 1000 [ohm]
6	Temperature	22 to 26 [°C]
7	Humidity	60 to 70 [%]

- (d) Do not apply pressure or impulse to the module to prevent the damage of LCD panel and backlight.
- (e) Always follow the correct power-on sequence when the LCD module is turned on. This can prevent the damage and latch-up of the CMOS LSI chips.
- (f) Be sure to turn off the power supply when inserting or disconnecting the cable.
- (g) Do not disassemble the module.
- (h) Front polarizer can easily be damaged, so please pay attention on it.
- (i) Using a absorbent cotton or other soft cloth without chemicals for cleaning, because the surface of polarizer is very soft and easily scratched.
- (j) Since long contact with drops of water may cause discoloration or spots, please wipe off them as soon as possible.
- (k) The Panel will be broken or chipped when it is dropped or bumped against a hard substance.

Product Specification

- (l) Applying too much force and stress to PWB and drivers may cause a malfunction electrically and mechanically.
- (m) Please be careful since image retention may occur when a fixed pattern is displayed for a long time.
- (n) Moisture can easily penetrate into LCD module and may cause the damage during operation.
- (o) High temperature or humidity may deteriorate the performance of LCD module. Please store LCD modules in the specified storage conditions.
- (p) This LCM is corresponded to RoHS.
- (q) When any question or issue occurs, it shall be solved by mutual discussion.

9 .2 SAFETY PRECAUTIONS

- (a) If the liquid crystal material leaks from the panel, it should be kept away from the eyes or mouth. In case of contact with hands, skin or clothes, it has to be washed away thoroughly with soap.
- (b) After the module's end of life, it is not harmful in case of normal operation and storage.

10. Reliability test items

(a) Environment test condition(LCM)

Test item	Condition
High temperature storage test	Ta= 60°C, 240h
Low temperature storage test	Ta=-20°C, 240h
High temperature and high humidity storage test	Ta=50°C, 80%RH, 240h (No condensation)
High temperature operation test	Ta= 50°C, 240h
Low temperature operation test	Ta= 0°C, 240h
Thermal Shock Test	-20°C/30min, 60°C/30min, 100 cycles
On/Off Test	On/10sec, Off/10sec, 30,000 cycles

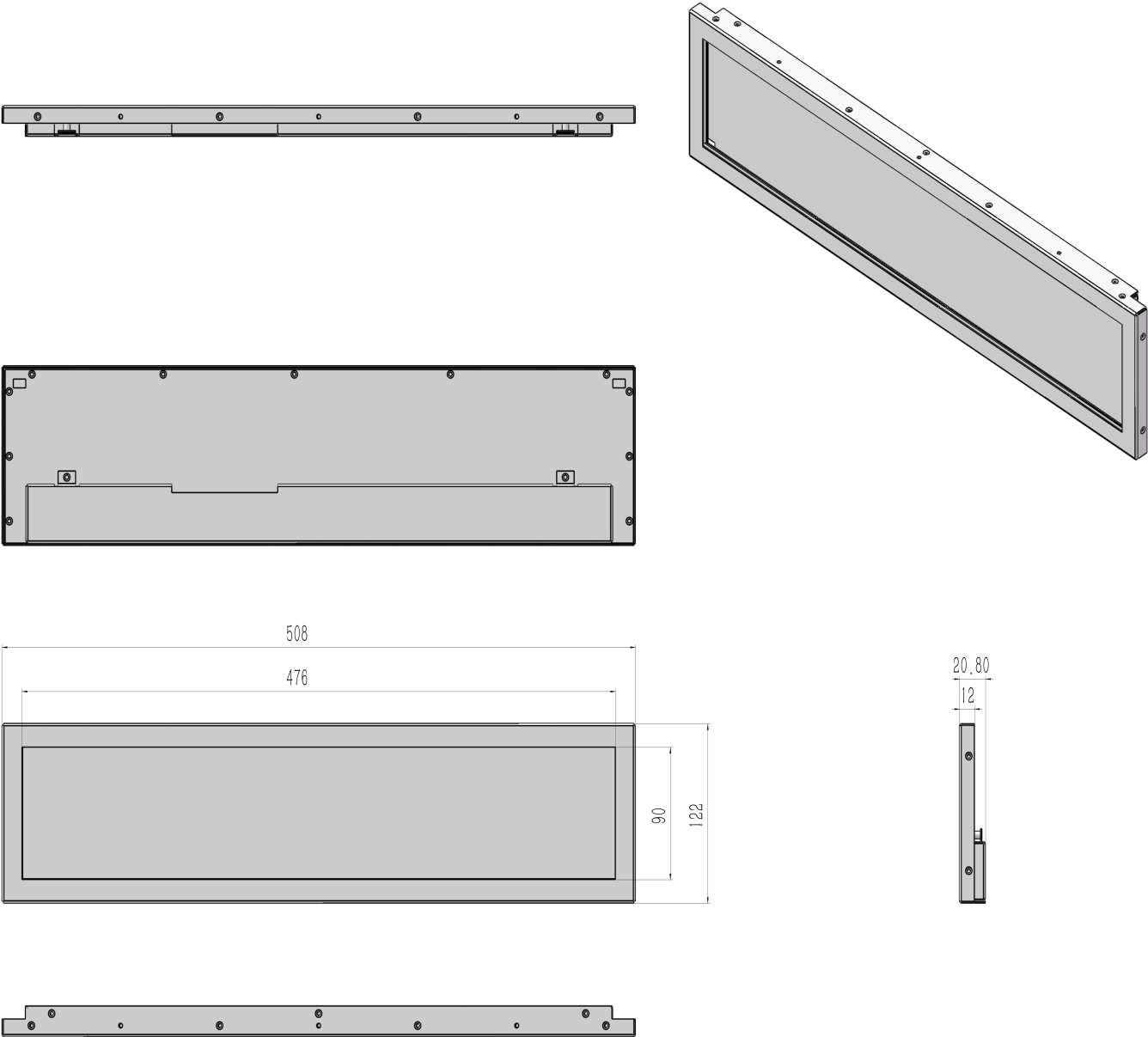
(b) Shock & Vibration (LCM)

Test item	Condition
Shock (Non-Operation)	Shock level: 50 Grms Waveform: half sine wave, 20ms Direction: ±X,±Y,±Z One time each direction
Vibration (Non-Operation)	Wave form: Random Vibration level: 1.5 Grms Bandwidth: 10-200 Hz Duration: X,Y,Z each direction per 30 min

[Result evaluation criteria]

Under the display quality test condition with normal operation state, there shall be no change, which may affect practical display function.

11. Mechanical Drawing



< EDN >