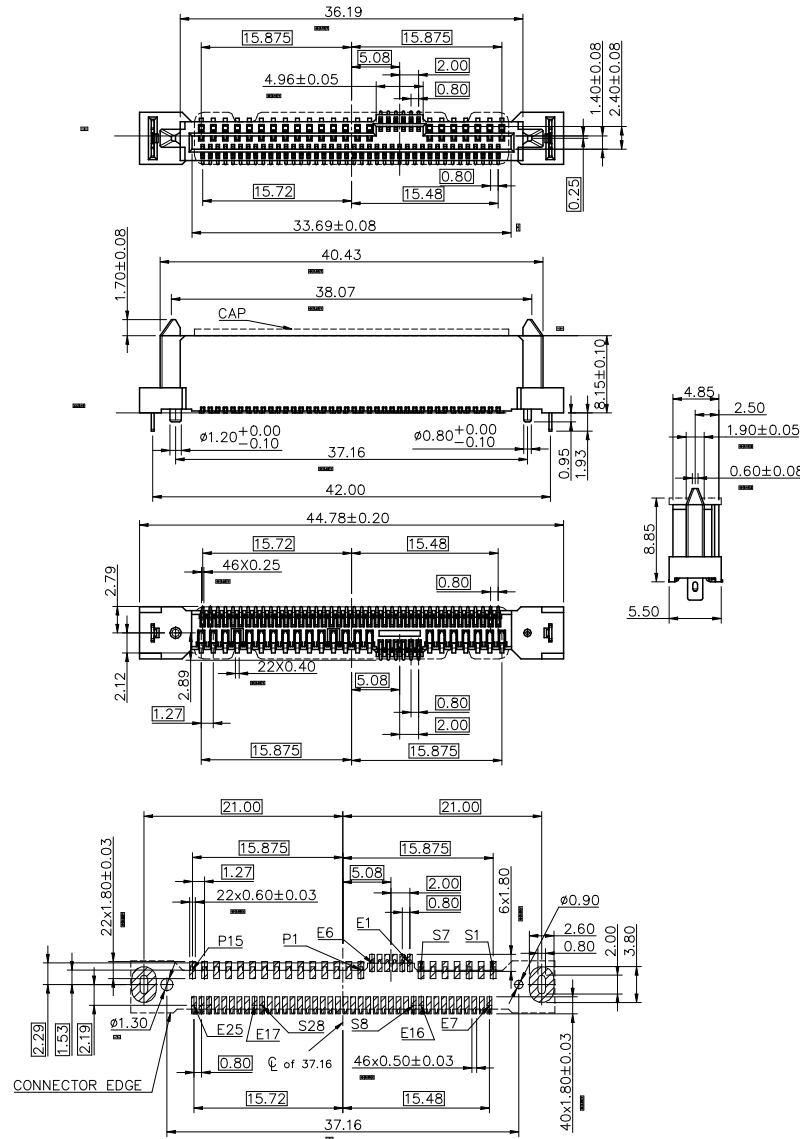


THIS DRAWING AND THE DATA DISCLOSED HEREIN OR HEREWITH IS NOT TO BE REPRODUCED USED OR DISCLOSED IN WHOLE OR IN PART TO ANYONE WITHOUT THE PERMISSION OF JESS-LINK PRODUCTS CO.,LTD.(JPC)

CUSTOMER DRAWING
DRWC-008509

REV.	ECN NO.	DESCRIPTION	MDF'D	APP'D	DATE
01		INITIAL DESIGN	Veera	Jason	10/06/2023
02					
03					



RECOMMENDED PCB LAYOUT (TOP VIEW)
PCB THICKNESS: 1.6mm
TOLERANCE: ±0.05mm

NOTE

*Material

Housing : high Thermoplastic, UL94V-0,Black.
Cap : high Thermoplastic, UL94V-0,Black.
Contact: Copper Alloy:30u"

Plating : Au plating on contact are;
Sn(100u" Min) plating on solder tail;
Ni(50u" Min.) underplating overall,

Board Lock : Copper Alloy
Plating: Sn(100u" Min) plating on solder tail;
Ni(50u" Min.) underplating overall.

*Mechanical

Insertion Force: 59N max.
Withdrawal Force: 6N min.
Durability: 500 cycles

*Electrical Specification

Current Rating: 1.5 Ampere per contact;
Contact Resistance: 30 mΩ max.
Insulation Resistance: 1000 MΩ min.
Dielectric Withstanding Voltage: 500 VAC.

*Environmental

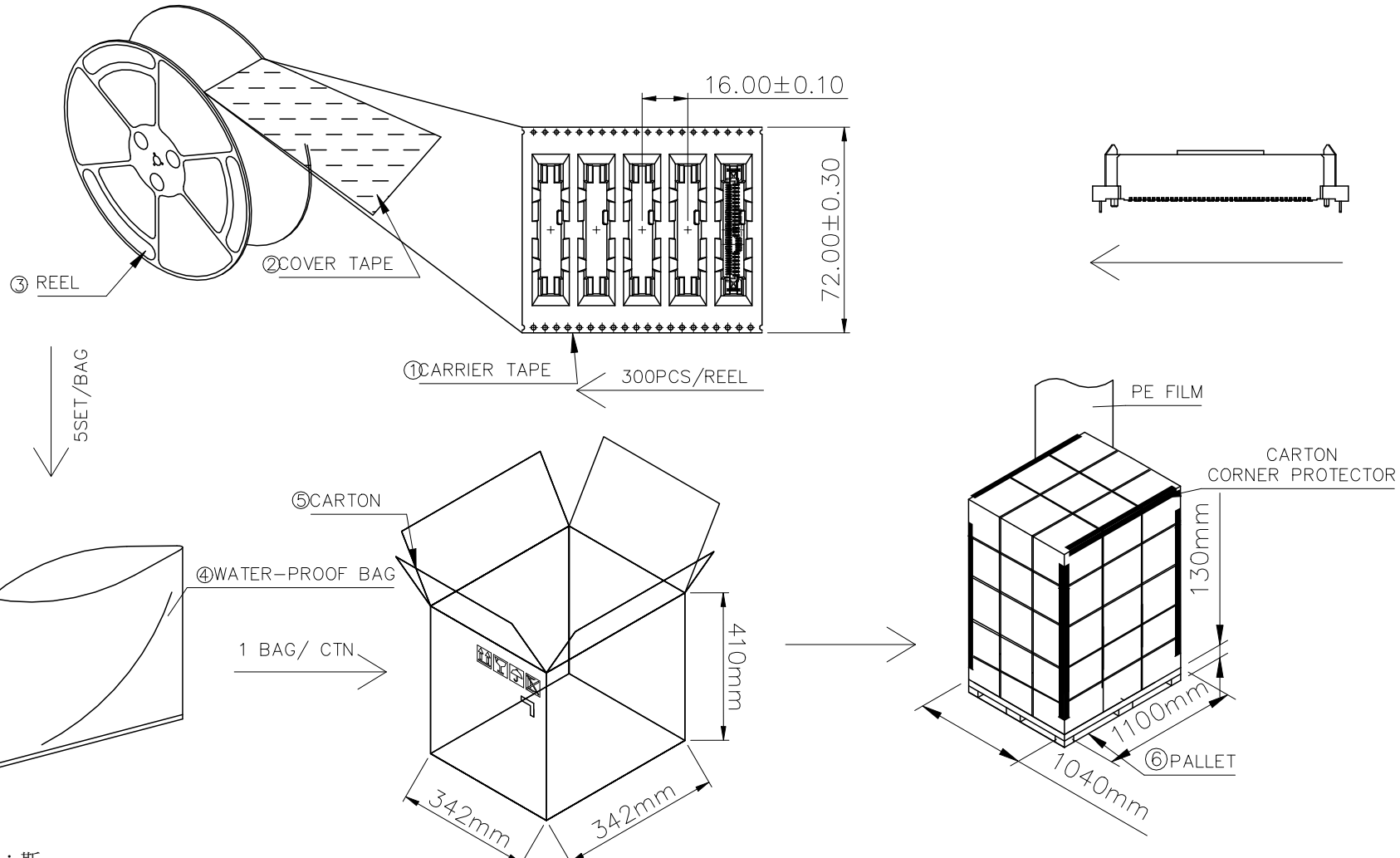
Operating Temperature: 0°C to +55°C

RoHS COMPLIANT	Unit : mm	PROJECTION	JPC connectivity	
	GENERAL TOLERANCES: (UNLESS SPECIFIED)			
	0 = ±.50	D.R. 10/06/2023	TITLE	PD./FILE NO.
	0.0 = ±.25	Veera	PCI-E SAS 68 PIN (SFF-8639) RECEPTACLE	XXXXXXXXXX
0.00 = ±.15	CH.K 10/06/2023	SCALE	REV. 01	
0.000 = ±.05	Albert	SIZE	SHEET 1 OF 2	
0° = ± 2°	APV.D 10/06/2023	1:1		
0.0° = ± 1°	Jason	A4		
			PART NO. PD0S005068Q1-1	

THIS DRAWING AND THE DATA DISCLOSED HEREIN OR HEREWITH IS NOT TO BE REPRODUCED USED OR DISCLOSED IN WHOLE OR IN PART TO ANYONE WITHOUT THE PERMISSION OF JESS-LINK PRODUCTS CO.,LTD.(JPC)

CUSTOMER DRAWING
DRWC-008509

REV.	ECN NO.	DESCRIPTION	MDF'D	APP'D	DATE
01		INITIAL DESIGN	Veera	Jason	10/06/2023
02					
03					



NOTE : 斬
1.PACK : 300PCS/REEL.1500PCS/CTN.
2.CARTON : 360*360*410mm.

RoHS COMPLIANT	Unit : mm	PROJECTION	JPC connectivity	
	GENERAL TOLERANCES: (UNLESS SPECIFIED)			
	0 = ±.50 0.0 = ±.25 0.00 = ±.15 0.000 = ±.05 0° = ± 2° 0.0° = ± 1°	D.R. 10/06/2023 Veera CH.K 10/06/2023 Albert APV.D 10/06/2023 Jason	TITLE PCI-E SAS 68 PIN (SFF-8639) RECEPTACLE	PD./FILE NO. XXXXXXXXXX
		SCALE 1:1 SIZE A4	PART NO. PD0S005068Q1-1	REV. 01 SHEET 2 OF 2