

INDICATOR LIGHT, 22MM, ROUND, PLASTIC, WHITE, SMOOTH LENS



Figure similar

product brand name	SIRIUS ACT
Product designation	Commanding and signaling devices
Design of the product	Pilot Light

Actuator:

Color	
<ul style="list-style-type: none"> <li>of the actuating element</li> </ul>	White
Material of the actuating element	plastic
Shape of the actuating element	round
Outer diameter of the actuating element	29.45 mm

Front ring:

Product component front ring	No
------------------------------	----

General technical data:

Protection class IP	IP66, IP67, IP69(IP69K)
Degree of protection NEMA rating	NEMA 1, 2, 3, 3R, 4, 4X, 12
Shock resistance	
<ul style="list-style-type: none"> <li>acc. to IEC 60068-2-27</li> <li>for railway applications acc. to DIN EN 61373</li> </ul>	Sinusoidal half-wave 50 g / 11 ms Category 1, Class B
Vibration resistance	

- acc. to IEC 60068-2-6
- for railway applications acc. to DIN EN 61373

10 ... 500 Hz: 5g  
Category 1, Class B

#### Equipment marking

- acc. to DIN EN 61346-2
- acc. to DIN EN 81346-2

P  
P

#### Connections/ Terminals:

Tightening torque of the screws in the bracket

1 ... 1.2 N·m

#### Ambient conditions:

##### Ambient temperature

- during operation
- during storage

-25 ... +70 °C  
-40 ... +80 °C

#### Installation/ mounting/ dimensions:

Height	29.5 mm
Width	29.5 mm
Shape of the installation opening	round
Mounting diameter	22.3 mm
Mounting height	11.8 mm
Installation width	29.5 mm
Installation depth	24.4 mm

#### Certificates/approvals

##### General Product Approval

##### Declaration of Conformity

##### Test Certificates



CSA



UL



EG-Konf.

[Werksbescheinigung](#)

[spezielle Prüfbescheinigungen](#)

##### other

[Bestätigungen](#)

#### Further information

##### Information- and Downloadcenter (Catalogs, Brochures,...)

<http://www.siemens.com/industrial-controls/catalogs>

##### Industry Mall (Online ordering system)

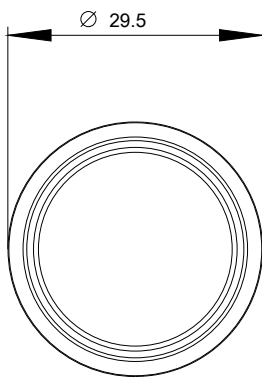
<https://mall.industry.siemens.com/mall/en/en/Catalog/product?mlfb=3SU10016AA600AA0>

##### Cax online generator

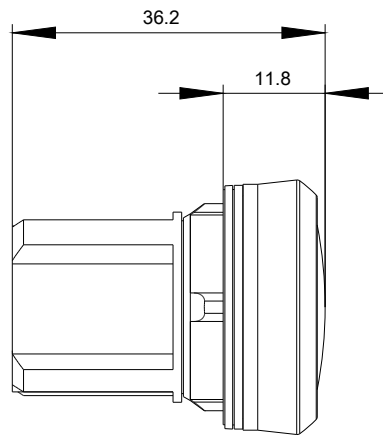
<http://support.automation.siemens.com/WW/CAXorder/default.aspx?lang=en&mlfb=3SU10016AA600AA0>

##### Service&Support (Manuals, Certificates, Characteristics, FAQs,...)

<https://support.industry.siemens.com/cs/ww/en/ps/3SU10016AA600AA0>



last modified:



05.04.2016