



the simple solution  
for isolating  
IS interface units

# MTL5500 SERIES



- ◆ **Compact modular design with DIN rail mounting**
- ◆ **Low cost per channel**
- ◆ **Full input/output/power supply isolation**
- ◆ **Broken line and earth fault protection**
- ◆ **Simple installation and maintenance using plug-in connectors**
- ◆ **High packing density**
- ◆ **No high-integrity earth needed**
- ◆ **Compatible with MTL5000 Series**

**MTL5500 Series** isolating IS interface units offer a compact and easy-to-use means for communicating safely with process measuring, indicating, actuating and local control equipment in hazardous areas. The range of models handle analogue and binary signals in both directions, amplifying or otherwise conditioning them as required and at the same time providing certified explosion protection for equipment and wiring in all zones and all explosive atmospheres.

**The MTL5500 Series modules are versatile** yet simple to apply; use the latest technology and yet are well proven. These contrasting attributes stem from the progression of MTL expertise in the design and manufacture of isolators for intrinsic safety and the application of innovative technology to achieve the required separation and segregation of the circuits. The MTL5500 (DIN rail mounting) and MTL4500 (backplane mounting) isolators share a common design and manufacture of the internal electronics, differing only in the mechanical mounting and connection methods.

**Key features** of the MTL5500 Series are ease of application, high operational integrity and reliability, and low installed cost. Full 3-port isolation between the input, output and power supply circuits eliminates the need to think about relationships to earth, makes system hook-ups easier to arrange, and allows hazardous-area circuits to be left floating or earthed at any one point.

**Where space is at a premium**, high packing densities are essential. With a unit width of 16mm, and with many units providing multiple channels (and hence a lower cost per channel), the MTL5500 Series takes up a minimum of space – which leaves more for other process control equipment. Where older installations are being updated, there may be a need for more channels – but within the existing space. The MTL5500 Series can provide the answer, fitting extra units and channels into a space formerly occupied by bulkier isolators.

**The MTL5500 clips quickly** onto DIN rail, so it is compatible with the industry-standard mounting system. Wiring is simplified by plug-in safe- and hazardous-area connectors, and a power plug which accepts a power bus; it all leads to quicker insertion, fewer wiring errors and trouble-free, tidier installations.

**The MTL5500 Series is designed for reliability.** It builds on the proven success of the MTL2000, 3000, 4000 and 5000 Series to bring the benefits of new developments in galvanic isolation without compromising the reliability of the designs from which it has evolved. It is designed from the outset to meet all relevant European Directives. Uniform appearance and connectability of the units and a comprehensive range of accessories and enclosures make planning a pleasure for the user.



EUROPE (EMEA)  
AMERICAS  
ASIA PACIFIC  
E-mail: [enquiry@mtl-inst.com](mailto:enquiry@mtl-inst.com)

Tel: +44 (0)1582 723633  
Tel: +1 281 571 8065  
Tel: +65 6 487 7887

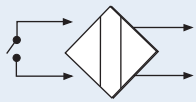
Fax: +44 (0)1582 422283  
Fax: +1 281 571 8069  
Fax: +65 6 487 7997

Web site: [www.mtl-inst.com](http://www.mtl-inst.com)

Apr 2008

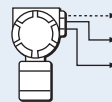
# MTL5500 I/O MODULES

by application



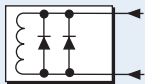
## DIGITAL INPUT

| Part Number       | Functions                                      |
|-------------------|--|
| <b>MTL5501-SR</b> | 1ch DI failsafe solid-state output + LFD alarm |
| <b>MTL5510</b>    | 4ch DI solid-state output                      |
| <b>MTL5510B</b>   | 4ch DI multifunction solid-state output        |
| <b>MTL5511</b>    | 1ch DI relay output                            |
| <b>MTL5513</b>    | 2ch DI solid-state output                      |
| <b>MTL5514</b>    | 1ch DI relay output + LFD alarm                |
| <b>MTL5516C</b>   | 2ch DI with changeover relay output            |
| <b>MTL5517</b>    | 2ch DI relay output + LFD alarm                |



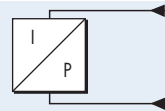
## ANALOGUE INPUT

| Part Number      | Functions   |
|------------------|---|
| <b>MTL5541</b>   | 1ch 2/3 wire Tx repeater                              |
| <b>MTL5541A</b>  | 1ch 2/3 wire Tx repeater, passive input               |
| <b>MTL5541AS</b> | 1ch 2/3 wire Tx repeater, passive input, current sink |
| <b>MTL5544</b>   | 2ch 2/3 wire Tx repeater                              |
| <b>MTL5544A</b>  | 2ch 2/3 wire Tx repeater, passive input               |
| <b>MTL5544AS</b> | 2ch 2/3 wire Tx repeater, passive input, current sink |



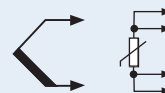
## DIGITAL OUTPUT

| Part Number    | Functions                                 |
|----------------|---|
| <b>MTL5521</b> | Loop powered solenoid driver, IIC         |
| <b>MTL5522</b> | Loop powered solenoid driver, IIB         |
| <b>MTL5523</b> | Solenoid driver with LFD                  |
| <b>MTL5524</b> | Switch operated solenoid driver           |
| <b>MTL5525</b> | Switch operated solenoid driver low power |
| <b>MTL5526</b> | 2ch switch operated relay                 |



## ANALOGUE OUTPUT

| Part Number     | Functions                                  |
|-----------------|--|
| <b>MTL5546</b>  | 1ch 4-20mA smart isolating driver + LFD    |
| <b>MTL5546Y</b> | 1ch 4-20mA smart isolating driver + oc LFD |
| <b>MTL5549</b>  | 2ch 4-20mA smart isolating driver + LFD    |
| <b>MTL5549Y</b> | 2ch 4-20mA smart isolating driver + oc LFD |



## TEMPERATURE INPUT

| Part Number    | Functions             |
|----------------|-----------------------|
| <b>MTL5575</b> | Temperature converter |

## GENERAL

| Part Number    | Functions      |
|----------------|----------------|
| <b>MTL5599</b> | Dummy isolator |



# MTL5501-SR FAILSAFE SWITCH/PROXIMITY DETECTOR INTERFACE

with LFD

With the MTL5501-SR, a fail-safe switch/proximity detector located in the hazardous area can control an isolated fail-safe electronic output. The MTL5501-SR units provide line fault detection alarm contacts. The MTL5501-SR is for use with approved fail-safe sensors.

## SPECIFICATION

See also common specification

### Number of channels

One

### Location of switches

Zone 0, IIC, T6 hazardous area  
Div. 1, Group A hazardous location

### Location of proximity detector

Zone 0, IIC, T4-6, hazardous location  
Div 1, Group A, hazardous location

### Voltage applied to sensor

8.6V dc max from 1k $\Omega$

### Input/output characteristics

| Input value in sensor circuits                 | Fail-safe output | Operation    | LFD contacts |
|--|------------------|--------------|--------------|
| $2.9\text{mA} < I_s < 3.9\text{mA}$            | ON               | Normal       | CLOSED       |
| $I_s < 1.9\text{mA} \ \& \ I_s > 5.1\text{mA}$ | OFF              | Normal       | CLOSED       |
| $I_s < 50\mu\text{A}$                          | OFF              | Broken line  | OPEN         |
| $R_s < 100\Omega$                              | OFF              | Shorted line | OPEN         |

Note:  $I_s$  = sensor current

### Fail-safe electronic output

Output on: 24V nominal  
Output off: 0V dc, max < 5V dc  
Load: 750 $\Omega$  to 10k $\Omega$   
Maximum on-state current: 25mA (at 750 $\Omega$ )  
Short-circuit current: 30mA

### Line fault detection (LFD)

LFD relay output: contacts open when line fault detected  
Switch characteristics: 0.3A 110V ac/dc; 1A 35V dc; 30W/33VA

### LED indicators

Yellow: one provided for output status, ON when fail-safe output is energised  
Green: one provided for power indication  
Red: one provided for LFD, flashing when line fault is detected

### Power requirements, $V_s$

| @ Supply voltage | 750 $\Omega$ load | typ. load |
|------------------|-------------------|-----------|
| 20V dc           | 100mA             | 70mA      |
| 24V dc           | 90mA              | 60mA      |
| 35V dc           | 65mA              | 45mA      |

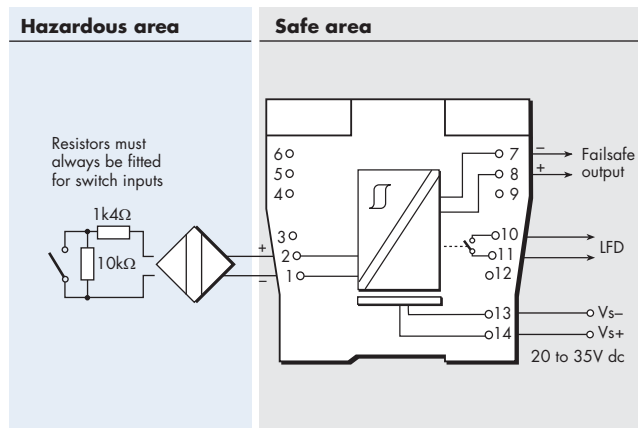
### Power dissipation within unit

| @ Supply voltage | 750 $\Omega$ load | typ. load |
|------------------|-------------------|-----------|
| 20V dc           | 1232mW            | 1160mW    |
| 24V dc           | 1392mW            | 1200mW    |
| 35V dc           | 1507mW            | 1335mW    |

### Safety description

$U_o = \pm 9.7\text{V}$ ,  $I_o = 30\text{mA}$ ,  $P_o = 0.07\text{W}$ ,  $C_i = 0\text{nF}$ ,  $L_i = 0\text{mH}$   
 $U_m = 253\text{V}$

Note: switch-type sensors must be fitted with resistors as shown



| Terminal | Function   |
|----------|------------|
| 1        | Input -ve  |
| 2        | Input +ve  |
| 7        | Output -ve |
| 8        | Output +ve |
| 10       | LFD        |
| 11       | LFD        |
| 13       | Supply -ve |
| 14       | Supply +ve |

The given data is only intended as a product description and should not be regarded as a legal warranty of properties or guarantee. In the interest of further technical developments, we reserve the right to make design changes.



# MTL5510 SWITCH/ PROXIMITY DETECTOR INTERFACE

four-channel, digital input

The MTL5510 enables four solid-state outputs in the safe area to be controlled by up to four switches or proximity detectors located in a hazardous area. Each pair of output transistors shares a common terminal and can switch +ve or -ve polarity signals. A range of module configurations is available (see Table 1) through the use of selector switches. When proximity detector modes are selected, LFD is enabled and the output switches to OFF if a line fault is detected.

## SPECIFICATION

See also common specification

### Number of channels

4, configured by switches

### Location of switches

Zone 0, IIC, T6 hazardous area  
Div 1, Group A hazardous location

### Location of proximity detectors

Zone 0, IIC, T4-6 hazardous area if suitably certified  
Div 1, Group A, hazardous location

### Hazardous-area inputs

Inputs conforming to BS EN60947-5-6:2001 standards for proximity detectors (NAMUR)

### Voltage applied to sensor

7 to 9V dc from 1k $\Omega$   $\pm$ 10%

### Input/output characteristics

Normal phase

Outputs closed if input > 2.1mA (< 2k $\Omega$  in input circuit)

Outputs open if input < 1.2mA (> 10k $\Omega$  in input circuit)

Hysteresis: 200 $\mu$ A (650 $\Omega$ ) nominal

### Line fault detection (LFD) (when selected)

User-selectable via switches on the side of the unit.

Open-circuit alarm on if  $I_{in}$  < 50 $\mu$ A

Open-circuit alarm off if  $I_{in}$  > 250 $\mu$ A

Short-circuit alarm on if  $R_{in}$  < 100 $\Omega$

Short-circuit alarm off if  $R_{in}$  > 360 $\Omega$

Note: Resistors must be fitted when using the LFD facility with a contact input

500 $\Omega$  to 1k $\Omega$  in series with switch

20k $\Omega$  to 25k $\Omega$  in parallel with switch

### Safe-area outputs

Floating solid-state outputs compatible with logic circuits

Operating frequency: dc to 500Hz

Max. off-state voltage:  $\pm$  35V

Max. off-state leakage current:  $\pm$  50 $\mu$ A

Max. on-state resistance: 25 $\Omega$

Max. on-state current:  $\pm$  50mA

### LED indicators

Green: power indication

Yellow: four: indicates output active

Red: indicates line fault + faulty channel's yellow LED flashes

### Maximum current consumption

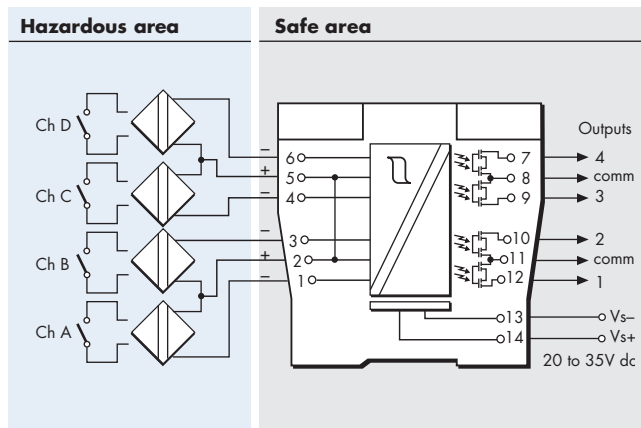
40mA at 24V (with all output channels energised)

### Power dissipation within unit

0.96W at 24V, with 10mA loads

### Safety description (each channel)

$V_o$  = 10.5V  $I_o$  = 14mA  $P_o$  = 37mW  $U_m$  = 253V rms or dc



| Terminal | Function                    |
|----------|-----------------------------|
| 1        | Input channel A             |
| 2        | Input channel AB common (+) |
| 3        | Input channel B             |
| 4        | Input channel C             |
| 5        | Input channel CD common (+) |
| 6        | Input channel D             |
| 7        | Output channel 4            |
| 8        | Output channel 3/4 common   |
| 9        | Output channel 3            |
| 10       | Output channel 2            |
| 11       | Output channel 1/2 common   |
| 12       | Output channel 1            |
| 13       | Supply -ve                  |
| 14       | Supply +ve                  |

Table 1 - Mode options

| MODE | o/p 1    | o/p 2    | o/p 3    | o/p 4    | i/p type                   |
|------|----------|----------|----------|----------|----------------------------|
| 0    | chA      | chB      | chC      | chD      | switch                     |
| 1    | chA rev. | chB      | chC      | chD      |                            |
| 2    | chA      | chB rev. | chC      | chD      |                            |
| 3    | chA      | chB      | chC rev. | chD      |                            |
| 4    | chA      | chB      | chC      | chD rev. |                            |
| 5    | chA rev. | chB      | chC rev. | chD      |                            |
| 6    | chA      | chB rev. | chC      | chD rev. |                            |
| 7    | chA rev. | chB rev. | chC rev. | chD rev. | prox.<br>detector<br>+ LFD |
| 8    | chA      | chB      | chC      | chD      |                            |
| 9    | chA rev. | chB      | chC      | chD      |                            |
| 10   | chA      | chB rev. | chC      | chD      |                            |
| 11   | chA      | chB      | chC rev. | chD      |                            |
| 12   | chA      | chB      | chC      | chD rev. |                            |
| 13   | chA rev. | chB      | chC rev. | chD      |                            |
| 14   | chA      | chB rev. | chC      | chD rev. |                            |
| 15   | chA rev. | chB rev. | chC rev. | chD rev. |                            |

See Instruction Manual INM5500 for further mode information.

The given data is only intended as a product description and should not be regarded as a legal warranty of properties or guarantee. In the interest of further technical developments, we reserve the right to make design changes.



EUROPE (EMEA)  
AMERICAS  
ASIA PACIFIC  
E-mail: enquiry@mtl-inst.com

Tel: +44 (0)1582 723633  
Tel: +1 281 571 8065  
Tel: +65 6 487 7887

Fax: +44 (0)1582 422283  
Fax: +1 281 571 8069  
Fax: +65 6 487 7997

Web site: www.mtl-inst.com

# MTL5510B SWITCH/ PROXIMITY DETECTOR INTERFACE

four-channel, multi-function, digital input

The MTL5510B enables four solid-state outputs in the safe area to be controlled by up to four switches or proximity detectors located in a hazardous area. Each pair of output transistors shares a common terminal and can switch +ve or -ve polarity signals. A range of module configurations is available (see Table 1) through the use of selector switches. These include start/stop operations and pulse output modes.

## SPECIFICATION

See also common specification

### Number of channels

4, configured by switches

### Location of switches

Zone 0, IIC, T6 hazardous area  
Div 1, Group A hazardous location

### Location of proximity detectors

Zone 0, IIC, T4-6 hazardous area if suitably certified  
Div 1, Group A, hazardous location

### Hazardous-area inputs

Inputs conforming to BS EN60947-5-6:2001 standards for proximity detectors (NAMUR)

### Voltage applied to sensor

7 to 9V dc from  $1k\Omega \pm 10\%$

### Input/output characteristics

Normal phase

Outputs closed if input  $> 2.1mA$  ( $< 2k\Omega$  in input circuit)

Outputs open if input  $< 1.2mA$  ( $> 10k\Omega$  in input circuit)

Hysteresis:  $200\mu A$  ( $650\Omega$ ) nominal

### Line fault detection (LFD) (when selected)

User-selectable via switches on the side of the unit.

Open-circuit alarm on if  $I_{in} < 50\mu A$

Open-circuit alarm off if  $I_{in} > 250\mu A$

Short-circuit alarm on if  $R_{in} < 100\Omega$

Short-circuit alarm off if  $R_{in} > 360\Omega$

Note: Resistors must be fitted when using the LFD facility with a contact input

$500\Omega$  to  $1k\Omega$  in series with switch

$20k\Omega$  to  $25k\Omega$  in parallel with switch

### Safe-area outputs

Floating solid-state outputs compatible with logic circuits

Operating frequency: dc to 500Hz

Max. off-state voltage:  $\pm 35V$

Max. off-state leakage current:  $\pm 50\mu A$

Max. on-state resistance:  $25\Omega$

Max. on-state current:  $\pm 50mA$

### LED indicators

Green: power indication

Yellow: four: indicates output active

Red: LFD indication + faulty channel's yellow LED flashes

### Maximum current consumption

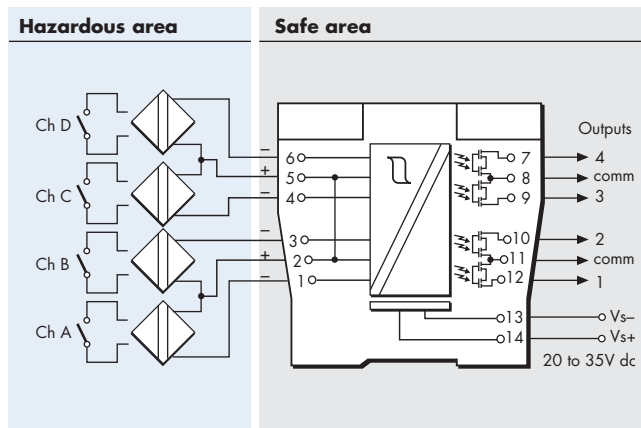
40mA at 24V (with all output channels energised)

### Power dissipation within unit

0.96W at 24V, with 10mA loads

### Safety description (each channel)

$V_o=10.5V$   $I_o=14mA$   $P_o=37mW$   $U_m = 253V$  rms or dc



| Terminal | Function                    |
|----------|-----------------------------|
| 1        | Input channel A             |
| 2        | Input channel AB common (+) |
| 3        | Input channel B             |
| 4        | Input channel C             |
| 5        | Input channel CD common (+) |
| 6        | Input channel D             |
| 7        | Output channel 4            |
| 8        | Output channel 3/4 common   |
| 9        | Output channel 3            |
| 10       | Output channel 2            |
| 11       | Output channel 1/2 common   |
| 12       | Output channel 1            |
| 13       | Supply -ve                  |
| 14       | Supply +ve                  |

Table 1 - Mode options

| MODE | Function                                 | Equivalent* |
|------|--|-------------|
| 0    | 4-ch switch input,                       | MTL5510     |
| 1    | 2-ch each channel one input, two outputs |             |
| 2    | Same as mode 1 with phase reversed       |             |
| 3    | 2-ch, 2-pole changeover output           |             |
| 4    | 1-ch with line fault output              | MTL5014     |
| 5    | As mode 4 with changeover outputs        |             |
| 6    | 1-ch with start-stop latch               | MTL2210B    |
| 7    | 4-ch switch input,                       | MTL5510     |
| 8    | 4-ch switch input,                       | MTL5510     |
| 9    | 2-ch with line fault output              | MTL5017     |
| 10   | As mode 9 with LFD changeover            |             |
| 11   | As mode 10 with phase reversed           |             |
| 12   | 3-ch with normally-open LFD output       |             |
| 13   | 3-ch with normally-closed LFD output     |             |
| 14   | 2-ch monostable, pulse stretcher         |             |
| 15   | 4-ch switch input                        | MTL5510     |

\* Note that terminal connections may not be the same on these models  
See Instruction Manual INM5500 for further mode information.

The given data is only intended as a product description and should not be regarded as a legal warranty of properties or guarantee. In the interest of further technical developments, we reserve the right to make design changes.



EUROPE (EMEA)

AMERICAS

ASIA PACIFIC

E-mail: enquiry@mtl-inst.com

Tel: +44 (0)1582 723633

Tel: +1 281 571 8065

Tel: +65 6 487 7887

Web site: www.mtl-inst.com

Fax: +44 (0)1582 422283

Fax: +1 281 571 8069

Fax: +65 6 487 7997

# MTL5511 SWITCH/ PROXIMITY DETECTOR INTERFACE

single channel, with line fault detection

The MTL5511 enables a safe-area load to be controlled by a switch or proximity detector located in a hazardous-area. When selected, open or short circuit conditions in the field wiring are detected by the line-fault-detect (LFD) facility and also indicated on the top of the module. Phase reversal for the channel is selected by a switch on the side of the module and output is provided by changeover relay contacts.

## SPECIFICATION

See also common specification

### Number of channels

One

### Location of switches

Zone 0, IIC, T6 hazardous area

Div. 1, Group A hazardous location

### Location of proximity detector

Zone 0, IIC, T4-6 hazardous area if suitably certified

Div. 1, Group A hazardous location

### Hazardous-area inputs

Inputs conforming to BS EN60947-5-6:2001 standards for proximity detectors (NAMUR)

### Voltage applied to sensor

7 to 9V dc from  $1k\Omega \pm 10\%$

### Input/output characteristics

Normal phase

Outputs closed if input  $> 2.1mA$  ( $< 2k\Omega$  in input circuit)

Outputs open if input  $< 1.2mA$  ( $> 10k\Omega$  in input circuit)

Hysteresis:  $200\mu A$  ( $650\Omega$ ) nominal

### Line fault detection (LFD) (when selected)

User-selectable via switches on the side of the unit. A line fault is indicated by an LED. The channel output relay is de-energised if an input line fault is detected.

Open-circuit alarm on if  $I_{in} < 50\mu A$

Open-circuit alarm off if  $I_{in} > 250\mu A$

Short-circuit alarm on if  $R_{in} < 100\Omega$

Short-circuit alarm off if  $R_{in} > 360\Omega$

Note: Resistors must be fitted when using the LFD facility with a contact input

$500\Omega$  to  $1k\Omega$  in series with switch

$20k\Omega$  to  $25k\Omega$  in parallel with switch

### Safe-area output

Single pole relay with changeover contacts

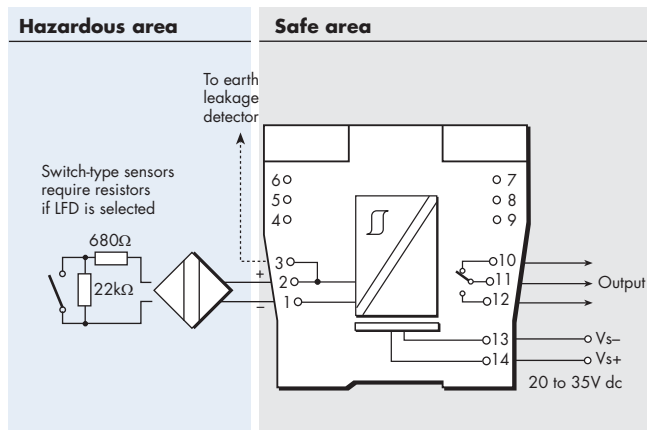
Note: reactive loads must be adequately suppressed

### Relay characteristics

Response time: 10ms maximum

Contact rating: 250V ac, 2A,  $\cos\phi > 0.7$

40V dc, 2A, resistive load



| Terminal | Function                       |
|----------|--------------------------------|
| 1        | Input -ve                      |
| 2        | Input +ve                      |
| 3        | To earth leakage detector*     |
| 10       | Output normally-closed contact |
| 11       | Common                         |
| 12       | Output normally-open contact   |
| 13       | Supply -ve                     |
| 14       | Supply +ve                     |

\*Signal plug HAZ1-3 is required for access to this function

### LED indicators

Green: power indication

Yellow: channel status, on when output is energised

Red: LFD indication, on when line fault is detected

### Maximum current consumption

25mA at 24V

### Power dissipation within unit

0.6W at 24V

### Safety description (each channel)

$V_o = 10.5V$   $I_o = 14mA$   $P_o = 37mW$   $U_m = 253V$  rms or dc

The given data is only intended as a product description and should not be regarded as a legal warranty of properties or guarantee. In the interest of further technical developments, we reserve the right to make design changes.



EUROPE (EMEA)

AMERICAS

ASIA PACIFIC

E-mail: enquiry@mtl-inst.com

Tel: +44 (0)1582 723633

Tel: +1 281 571 8065

Tel: +65 6 487 7887

Web site: www.mtl-inst.com

Fax: +44 (0)1582 422283

Fax: +1 281 571 8069

Fax: +65 6 487 7997

# MTL5513 SWITCH/ PROXIMITY DETECTOR INTERFACE

two-channel, with line fault detection  
and phase reversal

The MTL5513 enables two solid-state outputs in the safe area to be controlled by two switches or proximity detectors located in the hazardous area. The Ch1/Ch2 output transistors share a common terminal and can switch +ve or -ve polarity signals. Independent output phase reversal and line fault detection are enabled via switches for each output. LFD indication is provided on the top of the module.

## SPECIFICATION

See also common specification

### Number of channels

Two

### Location of switches

Zone 0, IIC, T6 hazardous area  
Div. 1, Group A hazardous location

### Location of proximity detectors

Zone 0, IIC, T4-6 hazardous area if suitably certified  
Div. 1, Group A hazardous location

### Hazardous-area inputs

Inputs conforming to BS EN60947-5-6:2001 standards for proximity detectors (NAMUR)

### Voltage applied to sensor

7 to 9V dc from 1k $\Omega$   $\pm$ 10%

### Input/output characteristics

Normal phase

Outputs closed if input > 2.1mA (< 2k $\Omega$  in input circuit)

Outputs open if input < 1.2mA (> 10k $\Omega$  in input circuit)

Hysteresis: 200 $\mu$ A (650 $\Omega$ ) nominal

### Line fault detection (LFD) (when selected)

User-selectable for each channel via switches on the side of the unit. Line faults are indicated by an LED for each channel.

Open-circuit alarm on if  $I_{in} < 50\mu$ A

Open-circuit alarm off if  $I_{in} > 250\mu$ A

Short-circuit alarm on if  $R_{in} < 100\Omega$

Short-circuit alarm off if  $R_{in} > 360\Omega$

Note: Resistors must be fitted when using the LFD facility with a contact input  
500 $\Omega$  to 1k $\Omega$  in series with switch

20k $\Omega$  to 25k $\Omega$  in parallel with switch

### Phase reversal

Independent for each channel, user-selectable

### Safe-area outputs

Floating solid-state outputs compatible with logic circuits

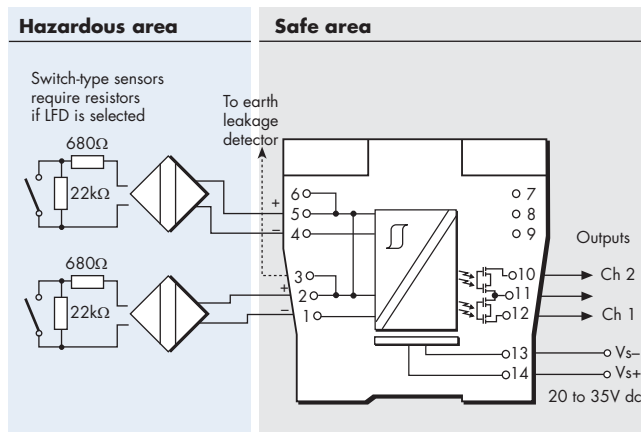
Operating frequency: dc to 500Hz

Max. off-state voltage:  $\pm$  35V

Max. off-state leakage current:  $\pm$  50 $\mu$ A

Max. on-state resistance: 25 $\Omega$

Max. on-state current:  $\pm$  50mA



| Terminal | Function                   |
|----------|----------------------------|
| 1        | Input -ve (Ch 1)           |
| 2        | Input +ve (Ch 1)           |
| 3        | To earth leakage detector* |
| 4        | Input -ve (Ch 2)           |
| 5        | Input +ve (Ch 2)           |
| 6        | To earth leakage detector* |
| 10       | Output (Ch 2)              |
| 11       | Output (Ch 1/Ch 2)         |
| 12       | Output (Ch 1)              |
| 13       | Supply -ve                 |
| 14       | Supply +ve                 |

\* Signal plug HAZ1-3 is required for access to this function

### LED indicators

Green: power indication

Yellow: two: channel status, on when outputs are on

Red: two: LFD indication, on when line fault detected

### Maximum current consumption

27mA at 24V

### Power dissipation within unit

0.65W typical at 24V, with 10mA loads

0.78W max. with 50mA loads

### Safety description (each channel)

$V_o = 10.5V$   $I_o = 14mA$   $P_o = 37mW$   $U_m = 253V$  rms or dc

The given data is only intended as a product description and should not be regarded as a legal warranty of properties or guarantee. In the interest of further technical developments, we reserve the right to make design changes.



EUROPE (EMEA)

AMERICAS

ASIA PACIFIC

E-mail: enquiry@mtl-inst.com

Tel: +44 (0)1582 723633

Tel: +1 281 571 8065

Tel: +65 6 487 7887

Web site: www.mtl-inst.com

Fax: +44 (0)1582 422283

Fax: +1 281 571 8069

Fax: +65 6 487 7997

# MTL5514 SWITCH/ PROXIMITY DETECTOR INTERFACE

single channel with line fault detection  
and phase reversal

The MTL5514 enables a safe-area load to be controlled, through a relay, by a proximity detector or switch located in a hazardous area. Line faults are signalled through a separate relay and indicated on the top of the module. Switches are provided to select phase reversal and to enable the line fault detection.

## SPECIFICATION

See also common specification

### Number of channels

One

### Location of switch

Zone 0, IIC, T6 hazardous area  
Div.1, Group A, hazardous location

### Location of proximity detector

Zone 0, IIC, T4-6 hazardous area, if suitably certified  
Div.1, Group A, hazardous location

### Hazardous-area inputs

Inputs conforming to BS EN60947-5-6:2001 standards for proximity detectors (NAMUR)

### Voltage applied to sensor

7 to 9V dc from  $1k\Omega \pm 10\%$

### Input/output characteristics

Normal phase

Outputs closed if input  $> 2.1mA$  ( $< 2k\Omega$  in input circuit)

Outputs open if input  $< 1.2mA$  ( $> 10k\Omega$  in input circuit)

Hysteresis:  $200\mu A$  ( $650\Omega$ ) nominal

### Line fault detection (LFD) (when selected)

User-selectable via switches on the side of the unit. Line faults are indicated by an LED. Line fault relay is energised and channel output relay de-energised if input line-fault detected

Open-circuit alarm on if  $I_{in} < 50\mu A$

Open-circuit alarm off if  $I_{in} > 250\mu A$

Short-circuit alarm on if  $R_{in} < 100\Omega$

Short-circuit alarm off if  $R_{in} > 360\Omega$

Note: Resistors must be fitted when using the LFD facility with a contact input  $500\Omega$  to  $1k\Omega$  in series with switch

$20k\Omega$  to  $25k\Omega$  in parallel with switch

### Safe-area output

Channel: Single pole relay with changeover contacts

LFD: Single pole relay with changeover contacts

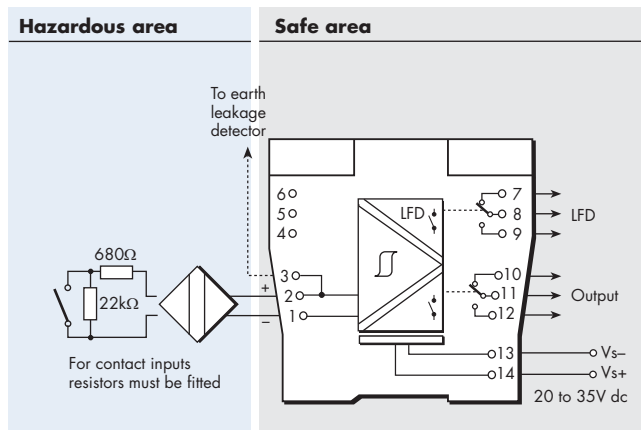
Note: reactive loads must be adequately suppressed

### Relay characteristics

Response time: 10ms maximum

Contact rating: 250V ac, 2A,  $\cos\phi > 0.7$

40V dc, 2A, resistive load



| Terminal | Function                   |
|----------|----------------------------|
| 1        | Input -ve                  |
| 2        | Input +ve                  |
| 3        | To earth leakage detector* |
| 7        | LFD NC contact             |
| 8        | LFD Common                 |
| 9        | LFD NO contact             |
| 10       | Output NC contact          |
| 11       | Output Common              |
| 12       | Output NO contact          |
| 13       | Supply -ve                 |
| 14       | Supply +ve                 |

\*Signal plug HAZ1-3 is required for access to this function

### LED indicators

Green: power indication

Yellow: channel status, on when output circuit is closed

Red: LFD indication, on when line fault is detected

### Maximum current consumption

25mA at 24V dc

### Power dissipation within unit

0.6W at 24V

### Safety description

$V_o = 10.5V$   $I_o = 14mA$   $P_o = 37mW$   $U_m = 253V$  rms or dc

The given data is only intended as a product description and should not be regarded as a legal warranty of properties or guarantee. In the interest of further technical developments, we reserve the right to make design changes.



EUROPE (EMEA)

AMERICAS

ASIA PACIFIC

E-mail: enquiry@mtl-inst.com

Tel: +44 (0)1582 723633

Tel: +1 281 571 8065

Tel: +65 6 487 7887

Web site: www.mtl-inst.com

Fax: +44 (0)1582 422283

Fax: +1 281 571 8069

Fax: +65 6 487 7997



# MTL5516C SWITCH/ PROXIMITY DETECTOR INTERFACE

two-channel, with line fault detection

The MTL5516C enables two safe-area loads to be controlled by a switch or proximity detector located in a hazardous-area. When selected, open or short circuit conditions in the field wiring are detected by the line-fault-detect (LFD) facility and also indicated on the top of the module. Phase reversal for each channel is selected by a switch on the side of the module and output is provided by changeover relay contacts.

## SPECIFICATION

See also common specification

### Number of channels

Two

### Location of switches

Zone 0, IIC, T6 hazardous area

Div. 1, Group A hazardous location

### Location of proximity detector

Zone 0, IIC, T4–6 hazardous area if suitably certified

Div. 1, Group A hazardous location

### Hazardous-area inputs

Inputs conforming to BS EN60947–5–6:2001 standards for proximity detectors (NAMUR)

### Voltage applied to sensor

7 to 9V dc from  $1k\Omega \pm 10\%$

### Input/output characteristics

Normal phase

Outputs closed if input  $> 2.1mA$  ( $< 2k\Omega$  in input circuit)

Outputs open if input  $< 1.2mA$  ( $> 10k\Omega$  in input circuit)

Hysteresis:  $200\mu A$  ( $650\Omega$ ) nominal

### Line fault detection (LFD) (when selected)

User-selectable via switches on the side of the unit. Line faults are indicated by an LED for each channel. The channel output relay is de-energised if an input line fault is detected.

Open-circuit alarm on if  $I_{in} < 50\mu A$

Open-circuit alarm off if  $I_{in} > 250\mu A$

Short-circuit alarm on if  $R_{in} < 100\Omega$

Short-circuit alarm off if  $R_{in} > 360\Omega$

Note: Resistors must be fitted when using the LFD facility with a contact input

$500\Omega$  to  $1k\Omega$  in series with switch

$20k\Omega$  to  $25k\Omega$  in parallel with switch

### Safe-area output

Two single-pole relays with changeover contacts

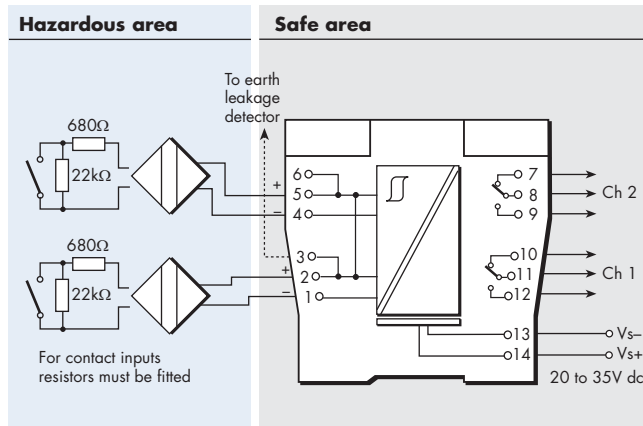
Note: reactive loads must be adequately suppressed

### Relay characteristics

Response time: 10ms maximum

Contact rating: 250V ac, 2A,  $\cos\phi > 0.7$

40V dc, 2A, resistive load



| Terminal | Function                       |
|----------|--------------------------------|
| 1        | Input -ve (Ch 1)               |
| 2        | Input +ve (Ch 1)               |
| 3        | To earth leakage detector*     |
| 4        | Input -ve (Ch 2)               |
| 5        | Input +ve (Ch 2)               |
| 6        | To earth leakage detector*     |
| 7        | Normally-closed contact (Ch 2) |
| 8        | Common (Ch 2)                  |
| 9        | Normally-open contact (Ch 2)   |
| 10       | Normally-closed contact (Ch 1) |
| 11       | Common (Ch 1)                  |
| 12       | Normally-open contact (Ch 1)   |
| 13       | Supply -ve                     |
| 14       | Supply +ve                     |

\*Signal plug HAZ1-3 is required for access to this function

### LED indicators

Green: power indication

Yellow: two: channel status, on when output is energised

Red: two: LFD indication, on when line fault detected

### Maximum current consumption

35mA at 24V

### Power dissipation within unit

0.84W at 24V

### Safety description (each channel)

$V_o = 10.5V$   $I_o = 14mA$   $P_o = 37mW$   $U_m = 253V$  rms or dc

The given data is only intended as a product description and should not be regarded as a legal warranty of properties or guarantee. In the interest of further technical developments, we reserve the right to make design changes.



EUROPE (EMEA)

AMERICAS

ASIA PACIFIC

E-mail: enquiry@mtl-inst.com

Tel: +44 (0)1582 723633

Tel: +1 281 571 8065

Tel: +65 6 487 7887

Web site: www.mtl-inst.com

Fax: +44 (0)1582 422283

Fax: +1 281 571 8069

Fax: +65 6 487 7997

# MTL5517 SWITCH/ PROXIMITY DETECTOR INTERFACE

two-channel with line fault detection  
and phase reversal

The MTL5517 enables two safe-area loads to be controlled, through a relay, by proximity detectors or switches located in a hazardous area. Line faults are signalled through a separate relay and indicated on the top of the module. Switches are provided to select phase reversal and to enable the line fault detection.

## SPECIFICATION

See also common specification

### Number of channels

Two

### Location of switch

Zone 0, IIC, T6 hazardous area  
Div.1, Group A, hazardous location

### Location of proximity detector

Zone 0, IIC, T4-6 hazardous area, if suitably certified  
Div.1, Group A, hazardous location

### Hazardous-area inputs

Inputs conforming to BS EN60947-5-6:2001 standards for proximity detectors (NAMUR)

### Voltage applied to sensor

7 to 9V dc from  $1k\Omega \pm 10\%$

### Input/output characteristics

Normal phase

Outputs closed if input  $> 2.1mA$  ( $< 2k\Omega$  in input circuit)

Outputs open if input  $< 1.2mA$  ( $> 10k\Omega$  in input circuit)

Hysteresis:  $200\mu A$  ( $650\Omega$ ) nominal

### Line fault detection (LFD) (when selected)

User selectable by switches on the side of the module. Line faults are indicated by the LED for each channel.

Line fault relay is energised and channel output relay de-energised if input line-fault detected

Open-circuit alarm on if  $I_{in} < 50\mu A$

Open-circuit alarm off if  $I_{in} > 250\mu A$

Short-circuit alarm on if  $R_{in} < 100\Omega$

Short-circuit alarm off if  $R_{in} > 360\Omega$

Note: Resistors must be fitted when using the LFD facility with a contact input  
 $500\Omega$  to  $1k\Omega$  in series with switch

$20k\Omega$  to  $25k\Omega$  in parallel with switch

### Safe-area output

Channel: Two single-pole relays with normally open contacts

LFD: Single pole relay with changeover contacts

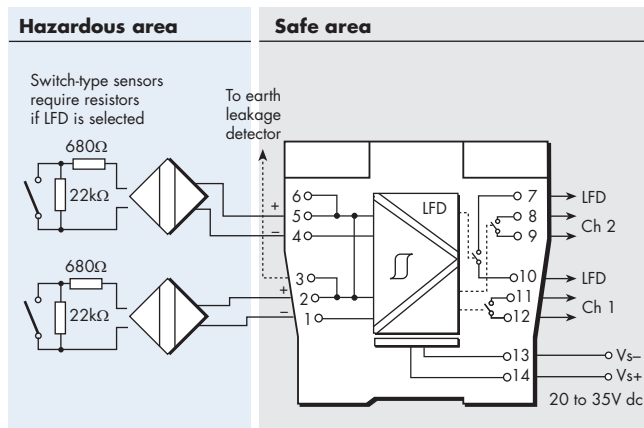
Note: reactive loads must be adequately suppressed

### Relay characteristics

Response time: 10ms maximum

Contact rating: 250V ac, 2A,  $\cos\phi > 0.7$

40V dc, 2A, resistive load



| Terminal | Function                   |
|----------|----------------------------|
| 1        | Input -ve (Ch 1)           |
| 2        | Input +ve (Ch 1)           |
| 3        | To earth leakage detector* |
| 4        | Input -ve (Ch 2)           |
| 5        | Input +ve (Ch 2)           |
| 6        | To earth leakage detector* |
| 7        | Line fault detection       |
| 8        | Output (Ch 2)              |
| 9        | Output (Ch 2)              |
| 10       | Line fault detection       |
| 11       | Output (Ch 1)              |
| 12       | Output (Ch 1)              |
| 13       | Supply -ve                 |
| 14       | Supply +ve                 |

\*Signal plug HAZ1-3 is required for access to this function

### LED indicators

Green: power indication

Yellow: two: channel status, on when output is energised

Red: two: LFD indication, on when line fault detected

### Maximum current consumption

35mA at 24V

### Power dissipation within unit

0.84W at 24V

### Safety description (each channel)

$V_o = 10.5V$   $I_o = 14mA$   $P_o = 37mW$   $U_m = 253V$  rms or dc

The given data is only intended as a product description and should not be regarded as a legal warranty of properties or guarantee. In the interest of further technical developments, we reserve the right to make design changes.



EUROPE (EMEA)

Tel: +44 (0)1582 723633

Fax: +44 (0)1582 422283

AMERICAS

Tel: +1 281 571 8065

Fax: +1 281 571 8069

ASIA PACIFIC

Tel: +65 6 487 7887

Fax: +65 6 487 7997

E-mail: enquiry@mtl-inst.com Web site: www.mtl-inst.com

# MTL5521 SOLENOID/ ALARM DRIVER

loop-powered, IIC

The MTL5521 is a loop-powered module which enables a device located in the hazardous area to be controlled from the safe area. The MTL5521 can drive a certified intrinsically safe low-power load, as well as non-energy-storing simple apparatus such as an LED.

## SPECIFICATION

See also common specification

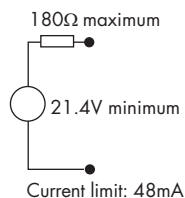
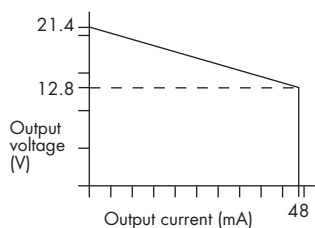
### Number of channels

One

### Location of load

Zone 0, IIC, T4--6 hazardous area if suitably certified  
Div. 1, Group A hazardous location

### Minimum output voltage      Equivalent output circuit



### Input voltage

20 to 35V dc

### Hazardous-area output

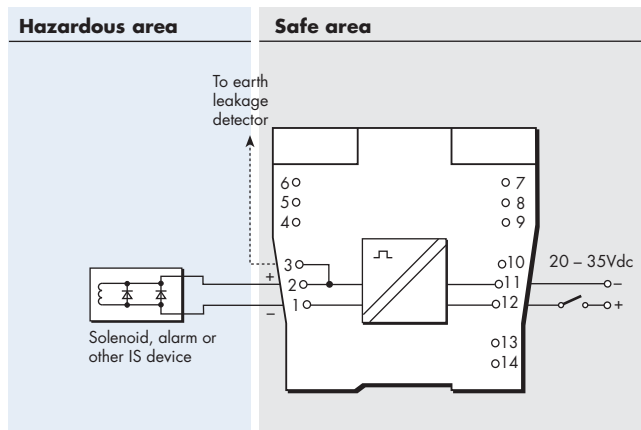
Minimum output voltage: 12.8V at 48mA  
Maximum output voltage: 24V from 180Ω  
Current limit: 48mA

### Output ripple

< 0.5% of maximum output, peak to peak

### Response time

Output within 10% of final value within 100ms



| Terminal | Function                   |
|----------|----------------------------|
| 1        | Output -ve                 |
| 2        | Output +ve                 |
| 3        | To earth leakage detector* |
| 11       | Supply -ve                 |
| 12       | Supply +ve                 |

\*Signal plug HAZ1-3 is required for access to this function

### LED indicator

Yellow: output status, on when output circuit is active

### Maximum current consumption

90mA at 24V

### Power dissipation within unit

1.4W at 24V

### Safety description

$V_o=25V$   $I_o=147mA$   $P_o=919mW$   $U_m = 253V$  rms or dc

The given data is only intended as a product description and should not be regarded as a legal warranty of properties or guarantee. In the interest of further technical developments, we reserve the right to make design changes.



EUROPE (EMEA)  
AMERICAS  
ASIA PACIFIC  
E-mail: enquiry@mtl-inst.com

Tel: +44 (0)1582 723633  
Tel: +1 281 571 8065  
Tel: +65 6 487 7887

Fax: +44 (0)1582 422283  
Fax: +1 281 571 8069  
Fax: +65 6 487 7997

Web site: www.mtl-inst.com

# MTL5522 SOLENOID/ ALARM DRIVER

loop-powered, IIB

The MTL5522 is a loop-powered module which enables a device located in the hazardous area to be controlled from the safe area. The MTL5522 can drive a certified intrinsically safe low-power load, as well as non-energy-storing simple apparatus such as an LED. The unit's input/output isolation allows the control switch to be connected into either side of the 24V dc supply circuit.

## SPECIFICATION

See also common specification

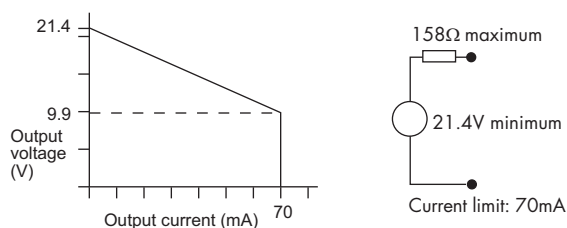
### Number of channels

One

### Location of load

Zone 0, IIB, T4–6 hazardous area if suitably certified  
Div. 1, Group C hazardous location

### Minimum output voltage      Equivalent output circuit



### Input voltage

20 to 35V dc

### Hazardous-area output

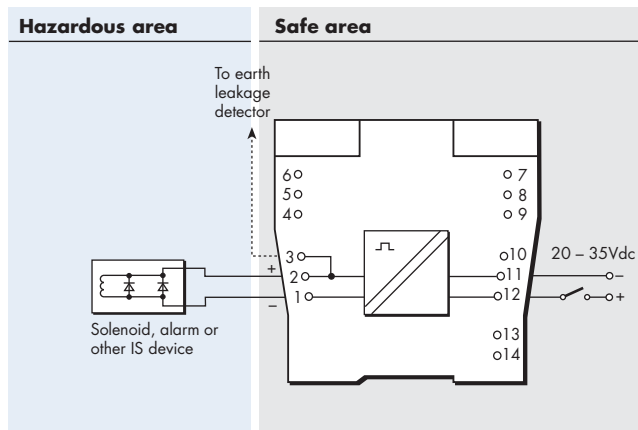
Minimum output voltage: 9.9V at 70mA  
Maximum output voltage: 24V from 158Ω  
Current limit: 70mA

### Output ripple

< 0.5% of maximum output, peak to peak

### Response time

Output within 10% of final value within 100ms



| Terminal | Function                   |
|----------|----------------------------|
| 1        | Output -ve                 |
| 2        | Output +ve                 |
| 3        | To earth leakage detector* |
| 11       | Supply -ve                 |
| 12       | Supply +ve                 |

\*Signal plug HAZ1-3 is required for access to this function

### LED indicator

Yellow: output status, on when output circuit is active

### Maximum current consumption

125mA (typ.) at 24V

### Power dissipation within unit

1.4W at 24V

### Safety description

$V_o=25V$   $I_o=166mA$   $P_o=1.04W$   $U_m=253V$  rms or dc

The given data is only intended as a product description and should not be regarded as a legal warranty of properties or guarantee. In the interest of further technical developments, we reserve the right to make design changes.



EUROPE (EMEA)  
AMERICAS  
ASIA PACIFIC  
E-mail: enquiry@mtl-inst.com

Tel: +44 (0)1582 723633  
Tel: +1 281 571 8065  
Tel: +65 6 487 7887

Fax: +44 (0)1582 422283  
Fax: +1 281 571 8069  
Fax: +65 6 487 7997

Web site: www.mtl-inst.com

# MTL5523

## SOLENOID/ALARM DRIVER

with line fault detection, IIC

With the MTL5523 interface, an on/off device in a hazardous area can be controlled by a voltage signal in the safe area. It is suitable for driving loads such as solenoids. Line fault detection (LFD), which operates irrespective of the output state, is signalled by a safe-area solid-state switch which de-energises MTL5523, if a field line is open or short-circuited. Earth fault detection can be provided by connecting an MTL4220 earth leakage detector to terminal 3.

### SPECIFICATION

See also common specification

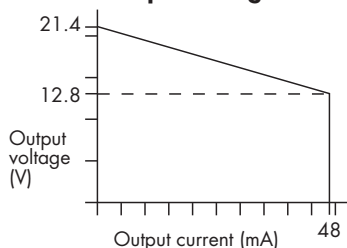
#### Number of channels

One

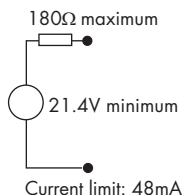
#### Location of load

Zone 0, IIC, T4–6 hazardous area if suitably certified  
Div. 1, Group A, hazardous location

#### Minimum output voltage



#### Equivalent output circuit



#### Hazardous-area output

Minimum output voltage: 12.8V at 48mA  
Maximum output voltage: 24V from 180Ω  
Current limit: 48mA

#### Output ripple

< 0.5% of maximum output, peak to peak

#### Control input

Suitable for switch contacts, an open collector transistor or logic drive

Output turns on if input switch closed, transistor on or < 1.4V applied across terminals 11 & 12

Output turns off if input switch open, transistor off or > 4.5V applied across terminals 11 & 12

#### Response time

Output within 10% of final value within 100ms

#### Line fault detection (LFD)

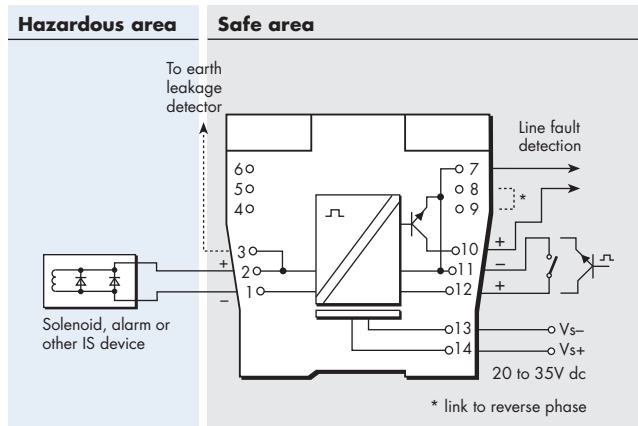
Open or short circuit in field cabling de-energises solid state line-fault signal.

LFD transistor is switched on, provided that the field circuit impedance is > 55Ω and < 6k5Ω.

#### Line fault signal characteristics

Maximum off-state voltage: 35V  
Maximum off-state leakage current: 10μA  
Maximum on-state voltage drop: 2V  
Maximum on-state current: 50mA

Note: LFD signal is Zener-diode protected against inductive loads



| Terminal | Function                   |
|----------|----------------------------|
| 1        | Output -ve                 |
| 2        | Output +ve                 |
| 3        | To earth leakage detector* |
| 7        | Line fault signal -ve      |
| 8        | Phase reversal link        |
| 9        | Phase reversal link        |
| 10       | Line fault signal +ve      |
| 11       | Control -ve                |
| 12       | Control +ve                |
| 13       | Supply -ve                 |
| 14       | Supply +ve                 |

\*Signal plug HAZ1-3 is required for access to this function

#### LED indicators

Green: power indication

Yellow: output status, on when output circuit is active

Red: LFD indication, on when line fault is detected

#### Maximum current consumption

100mA at 24V dc

#### Power dissipation within unit

1.2W with typical solenoid valve, output on  
2.0W worst case

#### Safety description

$V_o=25V$   $I_o=147mA$   $P_o=919mW$   $U_m=253V$  rms or dc

The given data is only intended as a product description and should not be regarded as a legal warranty of properties or guarantee. In the interest of further technical developments, we reserve the right to make design changes.



EUROPE (EMEA)

AMERICAS

ASIA PACIFIC

E-mail: enquiry@mtl-inst.com

Tel: +44 (0)1582 723633

Tel: +1 281 571 8065

Tel: +65 6 487 7887

Web site: www.mtl-inst.com

Fax: +44 (0)1582 422283

Fax: +1 281 571 8069

Fax: +65 6 487 7997

# MTL5524 SOLENOID/ ALARM DRIVER

powered, logic drive with phase reversal

The MTL5524 enables an on/off device in a hazardous area to be controlled by a volt-free contact or logic signal in the safe area. It can drive loads such as solenoids, alarms, LEDs and other low power devices that are certified as intrinsically safe or are classified as non-energy storing simple apparatus. By connecting a second safe-area switch or logic signal, the output can be disabled to permit, for example, a safety system to override a control signal.

## SPECIFICATION

See also common specification

### Number of channels

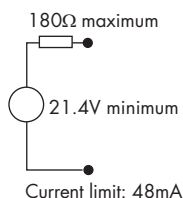
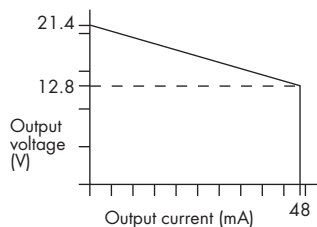
One

### Location of load

Zone 0, IIC, T4–6 hazardous area if suitably certified  
Div.1, Group A, hazardous location

### Minimum output voltage

### Equivalent output circuit



### Hazardous-area output

Minimum output voltage: 12.8V at 48mA  
Maximum output voltage: 24V from 180Ω  
Current limit: 48mA

### Output ripple

< 0.5% of maximum output, peak-to-peak

### Control input

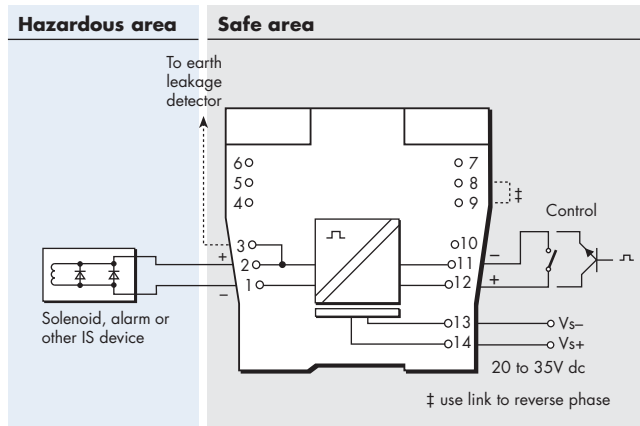
Suitable for switch contacts, an open collector transistor or logic drive

0 = input switch closed, transistor on or <1.4V applied across terminals 11 & 12

1 = input switch open, transistor off or >4.5V applied across terminals 11 & 12

### Response time

Output within 10% of final value within 100ms



| Terminal | Function                   |
|----------|----------------------------|
| 1        | Output -ve                 |
| 2        | Output +ve                 |
| 3        | To earth leakage detector* |
| 8        | Phase reversal link        |
| 9        | Phase reversal link        |
| 11       | Control -ve                |
| 12       | Control +ve                |
| 13       | Supply -ve                 |
| 14       | Supply +ve                 |

\*Signal plug HAZ1-3 is required for access to this function

### LED indicators

Green: power indication

Yellow: output status, on when output circuit is active

### Maximum current consumption

100mA at 24V dc

### Power dissipation within unit

1.3W with typical solenoid valve, output on  
1.9W worst case

### Safety description

$V_o=25V$   $I_o=147mA$   $P_o=919mW$   $U_m=253V$  rms or dc

The given data is only intended as a product description and should not be regarded as a legal warranty of properties or guarantee. In the interest of further technical developments, we reserve the right to make design changes.



EUROPE (EMEA)  
AMERICAS  
ASIA PACIFIC  
E-mail: enquiry@mtl-inst.com

Tel: +44 (0)1582 723633  
Tel: +1 281 571 8065  
Tel: +65 6 487 7887

Fax: +44 (0)1582 422283  
Fax: +1 281 571 8069  
Fax: +65 6 487 7997

Web site: www.mtl-inst.com

# MTL5525 SOLENOID/ ALARM DRIVER

low current, loop-powered, IIC

The MTL5525 enables an on/off device in a hazardous area to be controlled by a switch or voltage change in the safe area. It can drive loads such as solenoids, alarms, LEDs and other low power devices that are certified as intrinsically safe or are classified as non-energy storing simple apparatus. Similar in function to the MTL5521, this module provides lower power output and corresponding reduced safety description.

## SPECIFICATION

See also common specification

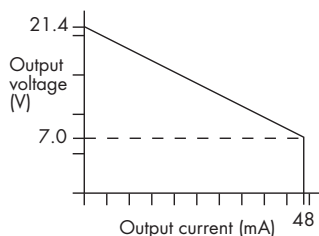
### Number of channels

One

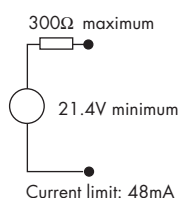
### Location of load

Zone 0, IIC, T4-6 hazardous area if suitably certified  
Div.1, Group A, hazardous location

### Minimum output voltage



### Equivalent output circuit



### Hazardous-area output

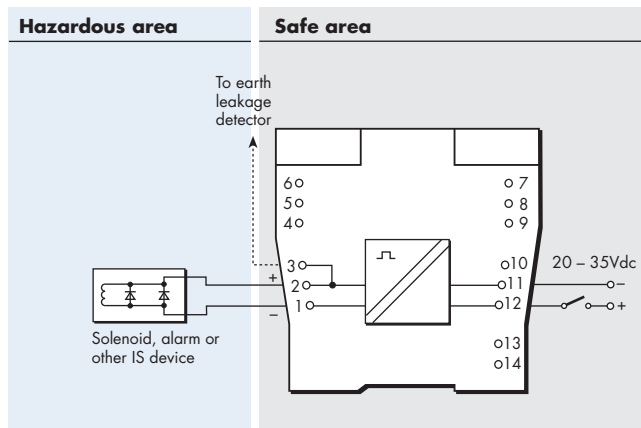
Minimum output voltage: 7V at 48mA  
Maximum output voltage: 24V from 300Ω  
Current limit: 48mA

### Output ripple

< 0.5% of maximum output, peak-to-peak

### Response time

Output within 10% of final value within 100ms



| Terminal | Function                   |
|----------|----------------------------|
| 1        | Output -ve                 |
| 2        | Output +ve                 |
| 3        | To earth leakage detector* |
| 11       | Supply -ve                 |
| 12       | Supply +ve                 |

\*Signal plug HAZ1-3 is required for access to this function

### LED indicators

Yellow: output status, on when output circuit is active

### Maximum current consumption

90mA at 24V

### Power dissipation within unit

1.4W at 24V

### Safety description

$V_o=25V$   $I_o=83.3mA$   $P_o=521mW$   $U_m = 253V$  rms or dc

The given data is only intended as a product description and should not be regarded as a legal warranty of properties or guarantee. In the interest of further technical developments, we reserve the right to make design changes.



EUROPE (EMEA)  
AMERICAS  
ASIA PACIFIC  
E-mail: enquiry@mtl-inst.com

Tel: +44 (0)1582 723633  
Tel: +1 281 571 8065  
Tel: +65 6 487 7887

Fax: +44 (0)1582 422283  
Fax: +1 281 571 8069  
Fax: +65 6 487 7997

Web site: www.mtl-inst.com

# MTL5526 SWITCH-OPERATED RELAY

## two-channel IS-output

The MTL5526 enables two separate IS circuits in a hazardous area to be relay-contact controlled by two on-off switches or logic signals in a safe area. Applications include the calibration of strain-gauge bridges; changing the polarity (and thereby the tone) of an IS sander; the testing of IS fire alarms; and the transfer of safe-area signals into an annunciator with IS input terminals not segregated from each other. The output-relay contacts are certified as non-energy-storing apparatus, and can be connected to any IS circuit without further certification, provided that separate IS circuits are such that they would remain safe if connected together.

### SPECIFICATION

#### See also common specification

#### Number of channels

Two, fully floating

#### Location of control circuit

Safe area

#### Input/output characteristics

##### Contact/Logic mode

(Inputs suitable for switch contacts, an open-collector transistor or logic drive)

Relay energised if < 450Ω or < 1V applied

Relay de-energised if > 5kΩ or > 2V applied (35V max.)

##### Loop powered mode

Relay energised if > 20V

Relay de-energised if < 17V

#### Power supply failure protection

Relays de-energised if supply fails

#### Response time

25ms nominal

#### Contacts (suitable for connection to IS circuits)

1-pole changeover per channel

#### Contact rating

250V dc, limited to 30V dc for IS applications, 2A (reactive loads must be suppressed)

#### Contact life expectancy

2 x 10<sup>7</sup> operations at maximum IS load

#### Relay drive (see switch setting table)

Switch selection of loop powered or contact/logic control for both channels. Further switch selects "1in2out" mode

#### LED indicators

Yellow: one provided for each channel, ON when relay is energised

Green: one provided for power indication

#### Power requirement, V<sub>s</sub>

44mA at 24V dc

41mA at 20V dc

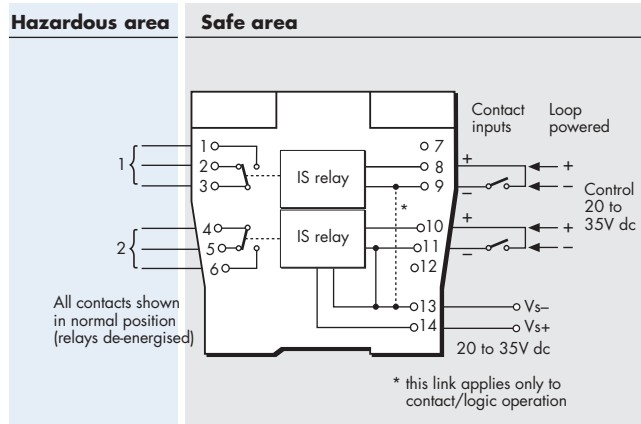
60mA at 35V dc

#### Power dissipation within unit

1.1W maximum at 24V

#### Safety description (each channel)

Non-energy-storing apparatus: relay contacts may be connected to any IS circuit without further consideration



| Terminal | Function                            |
|----------|-------------------------------------|
| 1        | IS relay output 1 (normally open)   |
| 2        | IS relay output 1 (normally closed) |
| 3        | IS relay output 1 (common)          |
| 4        | IS relay output 2 (common)          |
| 5        | IS relay output 2 (normally closed) |
| 6        | IS relay output 2 (normally open)   |
| 8        | Relay 1 control +ve                 |
| 9        | Relay 1 control -ve                 |
| 10       | Relay 2 control +ve                 |
| 11       | Relay 2 control -ve                 |
| 13       | Supply -ve                          |
| 14       | Supply +ve                          |

#### User switch settings for operating mode

| Mode          | Function | SW1 | SW2 | SW3 | SW4 |
|---------------|----------|-----|-----|-----|-----|
| Contact/Logic | 2 ch     | Off | On  | On  | On  |
|               | 1in2out  | On  | On  | On  | On  |
| Loop Powered  | 2 ch     | Off | Off | Off | Off |

The given data is only intended as a product description and should not be regarded as a legal warranty of properties or guarantee. In the interest of further technical developments, we reserve the right to make design changes.



EUROPE (EMEA)

AMERICAS

ASIA PACIFIC

E-mail: [enquiry@mtl-inst.com](mailto:enquiry@mtl-inst.com)

Tel: +44 (0)1582 723633

Tel: +1 281 571 8065

Tel: +65 6 487 7887

Web site: [www.mtl-inst.com](http://www.mtl-inst.com)

Fax: +44 (0)1582 422283

Fax: +1 281 571 8069

Fax: +65 6 487 7997



# MTL5541 REPEATER POWER SUPPLY

4/20mA, smart, for 2- or 3-wire transmitters

The MTL5541 provides a fully-floating dc supply for energising a conventional 2- or 3-wire 4/20mA transmitter which is located in a hazardous area, and repeats the current in another floating circuit to drive a safe-area load. For smart 2-wire transmitters, the unit allows bi-directional communications signals superimposed on the 4/20mA signal.

## SPECIFICATION

See also common specification

### Number of channels

One

### Location of transmitter

Zone 0, IIC, T4-6 hazardous area if suitably certified  
Div. 1, Group A hazardous location

### Safe-area output

Signal range: 4 to 20mA  
Under/over-range: 0 to 24mA  
Safe-area load resistance: 0 to 360Ω @ 24mA  
0 to 450Ω @ 20mA  
Safe-area circuit output resistance: > 1MΩ

### Safe-area circuit ripple

< 50μA peak-to-peak

### Hazardous-area input

Signal range: 0 to 24mA (including over-range)  
Transmitter voltage: 16.5V at 20mA

### Transfer accuracy at 20°C

Better than 15μA

### Temperature drift

< 0.8μA/°C

### Response time

Settles to within 10% of final value within 50μs

### Communications supported

HART® (terminals 1 & 2 only)

### LED indicator

Green: power indication

### Maximum current consumption (with 20mA signal)

51mA at 24V

### Power dissipation within unit (with 20mA signal)

0.7W at 24V

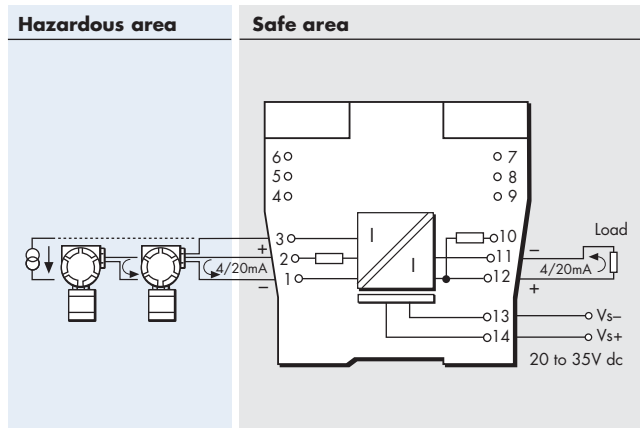
### Safety description

#### Terminals 2 to 1 and 3:

$V_o=28V$   $I_o=93mA$   $P_o=651mW$   $U_m = 253V$  rms or dc

#### Terminals 1 to 3:

Simple apparatus ≤1.5V, ≤0.1A and ≤25mW; can be connected without further certification into any IS loop with an open-circuit voltage <28V



| Terminal | Function                           |
|----------|------------------------------------|
| 1        | Current input                      |
| 2        | Transmitter supply +ve             |
| 3        | Common                             |
| 10       | Output +ve via 220Ω for HART apps. |
| 11       | Output -ve                         |
| 12       | Output +ve                         |
| 13       | Supply -ve                         |
| 14       | Supply +ve                         |

The given data is only intended as a product description and should not be regarded as a legal warranty of properties or guarantee. In the interest of further technical developments, we reserve the right to make design changes.



EUROPE (EMEA)  
AMERICAS  
ASIA PACIFIC  
E-mail: enquiry@mtl-inst.com

Tel: +44 (0)1582 723633  
Tel: +1 281 571 8065  
Tel: +65 6 487 7887

Fax: +44 (0)1582 422283  
Fax: +1 281 571 8069  
Fax: +65 6 487 7997

Web site: www.mtl-inst.com

# MTL5541A/5541AS

## CURRENT REPEATER

4/20mA passive input for HART® transmitters

The MTL5541A provides an input for separately powered 4/20mA transmitters and also allows bi-directional transmission of HART communication signals superimposed on the 4/20mA loop current, so that the transmitter can be interrogated either from the operator station or by a hand-held communicator (HHC). Alternatively, the MTL5541AS acts as a current sink for a safe-area connection rather than driving a current into the load.

### SPECIFICATION

See also common specification

#### Number of channels

One

#### Location of transmitter

Zone 0, IIC, T4-6 hazardous area if suitably certified  
Div.1, Group A, hazardous location

#### Hazardous area input

Signal range: 4 to 20mA  
Under/over-range: 1.0 to 21.5mA

#### Input impedance for HART signals

at terminals 1, 2: > 230Ω

#### Maximum input volt drop

at terminals 1, 2: < 6.6V  
i.e. a transmitter load of 330Ω at 20mA

#### Safe-area output

Signal range: 4 to 20mA  
Under/over-range: 1.0 to 21.5mA

#### Safe-area load resistance (MTL5541A)

Conventional transmitters: 0 to 360Ω  
Smart transmitters: 250Ω ±10%

#### Safe-area load (MTL5541AS)

Current sink: 600Ω max.  
Maximum voltage source: 24V DC  
Safe-area circuit output resistance: > 1MΩ

#### Safe-area circuit ripple

< 50μA peak-to-peak up to 80kHz

#### Communications supported

HART

#### Transfer accuracy at 20°C

Better than 20μA

#### Temperature drift

< 1μA/°C

#### Response time

Settles within 200μA of final value after 20ms

#### LED indicator

Green: power indication

#### Power requirement (with 20mA signal)

45mA at 24V  
50mA at 20V  
35mA at 35V

#### Power dissipation within unit (with 20mA signal)

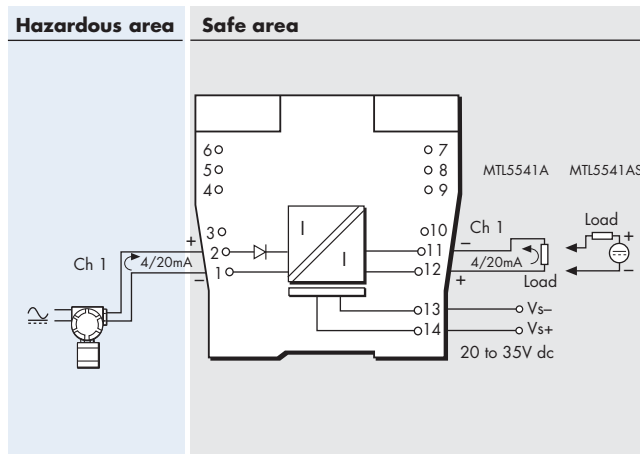
0.9W at 24V  
0.9W at 35V

#### Safety description

##### Terminals 1 to 2:

8.6V (diode). This voltage must be considered when calculating the load capacitance.

Non-energy-storing apparatus ≤1.5V, ≤0.1A and ≤25mW; can be connected without further certification into any IS loop with an open-circuit voltage <28V



| Terminal | Function                      |
|----------|-------------------------------|
| 1        | Input -ve                     |
| 2        | Input +ve                     |
| 11       | Output -ve (+ve current sink) |
| 12       | Output +ve (-ve current sink) |
| 13       | Supply -ve                    |
| 14       | Supply +ve                    |

The given data is only intended as a product description and should not be regarded as a legal warranty of properties or guarantee. In the interest of further technical developments, we reserve the right to make design changes.



EUROPE (EMEA)  
AMERICAS  
ASIA PACIFIC  
E-mail: enquiry@mtl-inst.com

Tel: +44 (0)1582 723633  
Tel: +1 281 571 8065  
Tel: +65 6 487 7887

Fax: +44 (0)1582 422283  
Fax: +1 281 571 8069  
Fax: +65 6 487 7997

Web site: www.mtl-inst.com

# MTL5544 REPEATER POWER SUPPLY

two channel, 4/20mA, smart,  
for 2- or 3- wire transmitters

The MTL5544 provides fully-floating dc supplies for energising two conventional 2-wire or 3-wire 4/20mA or 'smart' transmitters located in a hazardous area, and repeats the current in other circuits to drive two safe-area loads. For smart transmitters, the unit allows bi-directional transmission of digital communication signals superimposed on the 4/20mA signal so that the transmitter can be interrogated either from the operator station or by a hand-held communicator.

## SPECIFICATION

See also common specification

### Number of channels

Two

### Location of transmitter

Zone 0, IIC, T4–6 hazardous area if suitably certified  
Div. 1, Group A hazardous location

### Safe-area output

Signal range: 4 to 20mA  
Under/over-range: 0 to 24mA  
Safe-area load resistance: 0 to 360Ω @ 24mA  
0 to 450Ω @ 20mA  
Safe-area circuit output resistance: > 1MΩ

### Safe-area circuit ripple

< 50μA peak-to-peak

### Hazardous-area input

Signal range: 0 to 24mA (including over-range)  
Transmitter voltage: 16.5V at 20mA

### Transfer accuracy at 20°C

Better than 15μA

### Temperature drift

< 0.8μA/°C

### Response time

Settles to within 10% of final value within 50μs

### Communications supported

HART® (terminals 1 & 2 and 4 & 5 only)

### LED indicator

Green: power indication

### Maximum current consumption (with 20mA signals)

96mA at 24V dc

### Power dissipation within unit (with 20mA signals)

1.4W at 24V dc

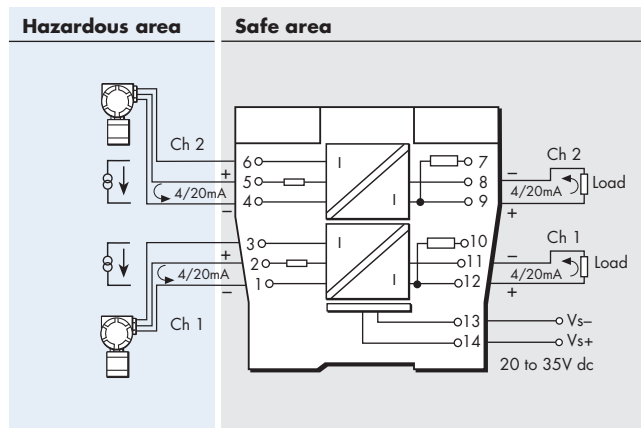
### Safety description (each channel)

**Terminals 2 to 1 and 3, and 5 to 4 and 6:**

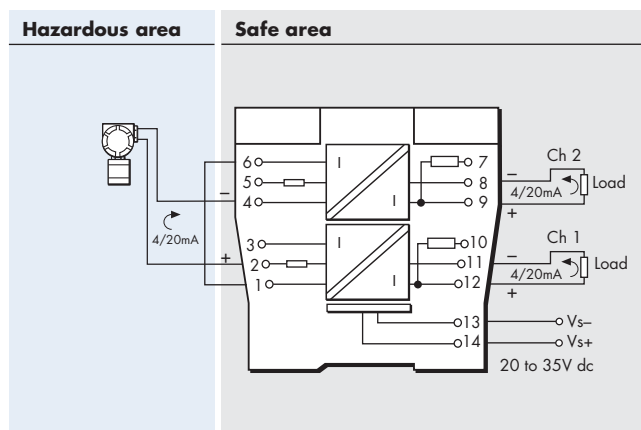
$V_o=28V$   $I_o=93mA$   $P_o=651mW$   $U_m=253V$  rms or dc

**Terminals 1 to 3 and 4 to 6:**

Simple apparatus  $\leq 1.5V$ ,  $\leq 0.1A$  and  $\leq 25mW$ ; can be connected without further certification into any IS loop with an open-circuit voltage <28V



| Terminal | Function                               |
|----------|--|
| 1        | Ch1 current input                      |
| 2        | Ch1 transmitter supply +ve             |
| 3        | Ch1 common                             |
| 4        | Ch2 current input                      |
| 5        | Ch2 transmitter supply +ve             |
| 6        | Ch2 common                             |
| 7        | Ch2 output +ve via 220Ω for HART apps. |
| 8        | Ch2 output -ve                         |
| 9        | Ch2 output +ve                         |
| 10       | Ch1 output +ve via 220Ω for HART apps. |
| 11       | Ch1 output -ve                         |
| 12       | Ch1 output +ve                         |
| 13       | Supply -ve                             |
| 14       | Supply +ve                             |



The MTL5544 can also be used to drive two safe-area loads from a single 2-wire transmitter (i.e. 1 in, 2 out) by interconnecting the input channels as shown in the diagram here.

Note: In this mode the HART data is transferred via channel 1 output only.

The given data is only intended as a product description and should not be regarded as a legal warranty of properties or guarantee. In the interest of further technical developments, we reserve the right to make design changes.



EUROPE (EMEA)  
AMERICAS  
ASIA PACIFIC  
E-mail: enquiry@mtl-inst.com

Tel: +44 (0)1582 723633  
Tel: +1 281 571 8065  
Tel: +65 6 487 7887

Fax: +44 (0)1582 422283  
Fax: +1 281 571 8069  
Fax: +65 6 487 7997

Web site: www.mtl-inst.com

# MTL5544A/5544AS

## CURRENT REPEATER

4/20mA passive input for HART® transmitters

The MTL5544A provides an input for separately powered 4/20mA transmitters and also allows bi-directional transmission of HART communication signals superimposed on the 4/20mA loop current, so that the transmitter can be interrogated either from the operator station or by a hand-held communicator (HHC). Alternatively, the MTL5544AS acts as a current sink for a safe-area connection rather than driving a current into the load.

### SPECIFICATION

See also common specification

#### Number of channels

Two

#### Location of transmitter

Zone 0, IIC, T4-6 hazardous area if suitably certified  
Div.1, Group A, hazardous location

#### Hazardous area input

Signal range: 4 to 20mA  
Under/over-range: 1.0 to 21.5mA

#### Input impedance for HART signals

at terminals 1, 2 and 4, 5: > 230Ω

#### Maximum input volt drop

at terminals 1, 2 and 4, 5: < 6.6V  
i.e. a transmitter load of 330Ω at 20mA

#### Safe-area output

Signal range: 4 to 20mA  
Under/over-range: 1.0 to 21.5mA  
Safe-area load resistance (MTL5544A)  
Conventional transmitters: 0 to 360Ω  
Smart transmitters: 250Ω ±10%  
Safe-area load (MTL5544AS)  
Current sink: 600Ω max.  
Maximum voltage source: 24V DC  
Safe-area circuit output resistance: > 1MΩ

#### Safe-area circuit ripple

< 50μA peak-to-peak up to 80kHz

#### Communications supported

HART

#### Transfer accuracy at 20°C

Better than 20μA

#### Temperature drift

< 1μA/°C

#### Response time

Settles within 200μA of final value after 20ms

#### LED indicator

Green: power indication

#### Power requirement (with 20mA signal)

70mA at 24V  
85mA at 20V  
50mA at 35V

#### Power dissipation within unit (with 20mA signal)

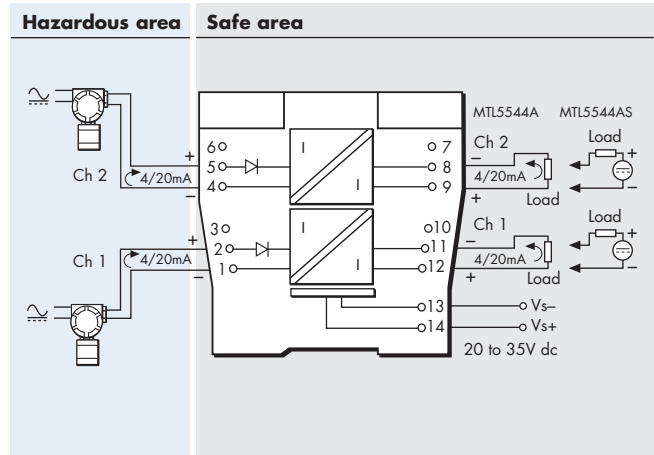
1.6W at 24V  
1.7W at 35V

#### Safety description

##### Terminals 1 to 2 and 4 to 5:

8.6V (diode). This voltage must be considered when calculating the load capacitance.

Non-energy-storing apparatus ≤1.5V, ≤0.1A and ≤25mW; can be connected without further certification into any IS loop with an open-circuit voltage < 28V



| Terminal | Function                          |
|----------|-----------------------------------|
| 1        | Ch1 input -ve                     |
| 2        | Ch1 input +ve                     |
| 4        | Ch2 input -ve                     |
| 5        | Ch2 input +ve                     |
| 8        | Ch2 output -ve (+ve current sink) |
| 9        | Ch2 output +ve (-ve current sink) |
| 11       | Ch1 output -ve (+ve current sink) |
| 12       | Ch1 output +ve (-ve current sink) |
| 13       | Supply -ve                        |
| 14       | Supply +ve                        |

The given data is only intended as a product description and should not be regarded as a legal warranty of properties or guarantee. In the interest of further technical developments, we reserve the right to make design changes.



EUROPE (EMEA)  
AMERICAS  
ASIA PACIFIC  
E-mail: enquiry@mtl-inst.com

Tel: +44 (0)1582 723633  
Tel: +1 281 571 8065  
Tel: +65 6 487 7887

Fax: +44 (0)1582 422283  
Fax: +1 281 571 8069  
Fax: +65 6 487 7997

Web site: www.mtl-inst.com

# MTL5546/5546Y ISOLATING DRIVER

for 4–20mA smart valve positioners  
with line fault detection

The MTL5546 accepts a 4/20mA floating signal from a safe-area controller to drive a current/pressure converter (or any other load up to 800Ω) in a hazardous area. For smart valve positioners, the module also permits bi-directional transmission of digital communication signals so that the device can be interrogated either from the operator station or by a hand-held communicator. Process controllers with a readback facility can detect open or short circuits in the field wiring: if these occur, the current taken into the terminals drops to a preset level. The MTL5546Y is very similar to the MTL5546 except that it provides open circuit detection *only* (i.e. no short-circuit detection).

## SPECIFICATION

See also common specification

### Number of channels

One

### Location of I/P converter

Zone 0, IIC, T4–6 hazardous area if suitably certified  
Div. 1, Group A, hazardous location

### Working range

4 to 20mA

### Digital signal bandwidth

500Hz to 10kHz

### Maximum load resistance

800Ω (16V at 20mA)

### Minimum load resistance

90Ω (short-circuit detection at < 50Ω)

### Output resistance

> 1MΩ

### Under/over range capability

Under range = 1mA

Over range = 24mA (load ≤ 520Ω)

### Input and output circuit ripple

< 40μA peak-to-peak

### Transfer accuracy at 20°C

Better than 20μA

### Temperature drift

< 1.0μA/°C

### Input characteristics

| Field wiring state | MTL5546 | MTL5546Y |
|--------------------|---------|----------|
| Normal             | < 6.0V  | < 6.0V   |
| Open-circuit       | < 0.9mA | < 0.5mA  |
| Short-circuit      | < 0.9mA | N.A.     |

### Response time

Settles within 200μA of final value within 100ms

### Communications supported

HART®

### LED indicator

Green: power indication

### Maximum current consumption (with 20mA signals into 250Ω load)

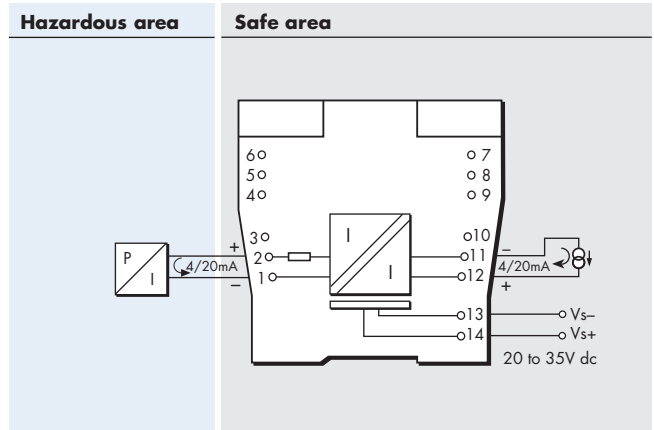
35mA at 24V dc

### Power dissipation within unit (with 20mA signals into 250Ω load)

0.8W at 24V

### Safety description

$V_o=28V$   $I_o=93mA$   $P_o=651mW$   $U_m = 253V$  rms or dc



| Terminal | Function   |
|----------|------------|
| 1        | Output -ve |
| 2        | Output +ve |
| 11       | Input -ve  |
| 12       | Input +ve  |
| 13       | Supply -ve |
| 14       | Supply +ve |

The given data is only intended as a product description and should not be regarded as a legal warranty of properties or guarantee. In the interest of further technical developments, we reserve the right to make design changes.



EUROPE (EMEA)  
AMERICAS  
ASIA PACIFIC  
E-mail: enquiry@mtl-inst.com

Tel: +44 (0)1582 723633  
Tel: +1 281 571 8065  
Tel: +65 6 487 7887

Fax: +44 (0)1582 422283  
Fax: +1 281 571 8069  
Fax: +65 6 487 7997

Web site: www.mtl-inst.com

# MTL5549/5549Y

## ISOLATING DRIVER

two-channel, for 4–20mA smart valve positioners with line fault detection

The MTL5549 accepts 4/20mA floating signals from safe-area controllers to drive 2 current/pressure converters (or any other load up to 800Ω) in a hazardous area. For smart valve positioners, the module also permits bi-directional transmission of digital communication signals so that the device can be interrogated either from the operator station or by a hand-held communicator. Process controllers with a readback facility can detect open or short circuits in the field wiring: if these occur, the current taken into the terminals drops to a preset level. The MTL5549Y is very similar to the MTL5549 except that it provides open circuit detection *only* (i.e. no short-circuit detection)

### SPECIFICATION

See also common specification

#### Number of channels

Two

#### Location of I/P converter

Zone 0, IIC, T4–6 hazardous area if suitably certified  
Div. 1, Group A, hazardous location

#### Working range

4 to 20mA

#### Digital signal bandwidth

500Hz to 10kHz

#### Maximum load resistance

800Ω (16V at 20mA)

#### Minimum load resistance

90Ω (short-circuit detection at < 50Ω)

#### Output resistance

> 1MΩ

#### Under/over range capability

Under range = 1mA

Over range = 24mA (load ≤ 520Ω)

#### Input and output circuit ripple

<40μA peak-to-peak

#### Transfer accuracy at 20°C

Better than 20μA

#### Temperature drift

< 1.0μA/°C

#### Input characteristics

| Field wiring state | MTL5549 | MTL5549Y |
|--------------------|---------|----------|
| Normal             | < 6.0V  | < 6.0V   |
| Open-circuit       | < 0.9mA | < 0.5mA  |
| Short-circuit      | < 0.9mA | N.A.     |

#### Response time

Settles within 200μA of final value within 100ms

#### Communications supported

HART®

#### LED indicator

Green: power indication

#### Maximum current consumption (with 20mA signals into 250Ω load)

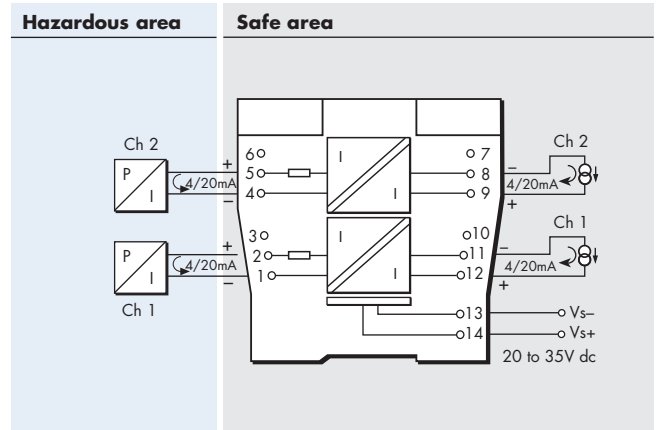
70mA at 24V dc

#### Power dissipation within unit (with 20mA signals into 250Ω load)

1.6W at 24V

#### Safety description (each channel)

$V_o=28V$   $I_o=93mA$   $P_o=651mW$   $U_m = 253V$  rms or dc



| Terminal | Function          |
|----------|-------------------|
| 1        | Output -ve (Ch 1) |
| 2        | Output +ve (Ch 1) |
| 4        | Output -ve (Ch 2) |
| 5        | Output +ve (Ch 2) |
| 8        | Input -ve (Ch 2)  |
| 9        | Input +ve (Ch 2)  |
| 11       | Input -ve (Ch 1)  |
| 12       | Input +ve (Ch 1)  |
| 13       | Supply -ve        |
| 14       | Supply +ve        |

The given data is only intended as a product description and should not be regarded as a legal warranty of properties or guarantee. In the interest of further technical developments, we reserve the right to make design changes.



EUROPE (EMEA)

AMERICAS

ASIA PACIFIC

E-mail: enquiry@mtl-inst.com

Tel: +44 (0)1582 723633

Tel: +1 281 571 8065

Tel: +65 6 487 7887

Web site: www.mtl-inst.com

Fax: +44 (0)1582 422283

Fax: +1 281 571 8069

Fax: +65 6 487 7997

# MTL5575

## TEMPERATURE CONVERTER

### THC or RTD input + Alarm

The MTL5575 converts a low-level dc signal from a temperature sensor mounted in a hazardous area into a 4/20mA current for driving a safe-area load. Software selectable features include linearisation, ranging, monitoring, testing and tagging for all thermocouple types and 2-, 3- or 4-wire RTDs. (For thermocouple applications the HAZ-CJC plug on terminals 1–3 includes an integral CJC sensor). Configuration is carried out using a personal computer. A single alarm output is provided and may be configured for high or low process alarm or to provide notice of early thermocouple failure.

## SPECIFICATION

See also common specification

### Number of channels

One

### Signal source

Types J, K, T, E, R, S, B or N THCs to BS 60584 and XK  
EMF input  
Pt 100, Pt 500, Pt 1000  
2/3/4-wire platinum RTDs to BS 60751  
Cu-50 & Cu-53  
Ni 100/500/1000 DIN 43760

### Location of signal source

Zone 0, IIC, T4-6 hazardous area  
Division 1, Group A, hazardous location

### Input signal range

–75 to +75mV, or 0 to 400 $\Omega$  (0 to 1000 $\Omega$  Pt & Ni sensors)

### Input signal span

3 to 150mV, or 10 to 400 $\Omega$  (10 to 1000 $\Omega$  Pt & Ni sensors)

### RTD excitation current

200 $\mu$ A nominal

### Cold junction compensation

Automatic or selectable

### Cold junction compensation error

$\leq 1.0^{\circ}\text{C}$

### Common mode rejection

120dB for 240V at 50Hz or 60Hz (500ms response)

### Series mode rejection

40dB for 50Hz or 60Hz

### Calibration accuracy (at 20 $^{\circ}\text{C}$ )

(includes hysteresis, non-linearity and repeatability)

#### Inputs: (500ms response)

mV/THC:  $\pm 15\mu\text{V}$  or  $\pm 0.05\%$  of input value  
(whichever is greater)

RTD:  $\pm 80\text{m}\Omega$

#### Output: $\pm 11\mu\text{A}$

### Temperature drift (typical)

#### Inputs:

mV/THC:  $\pm 0.003\%$  of input value/ $^{\circ}\text{C}$

RTD:  $\pm 7\text{m}\Omega/^{\circ}\text{C}$

#### Output: $\pm 0.6\mu\text{A}/^{\circ}\text{C}$

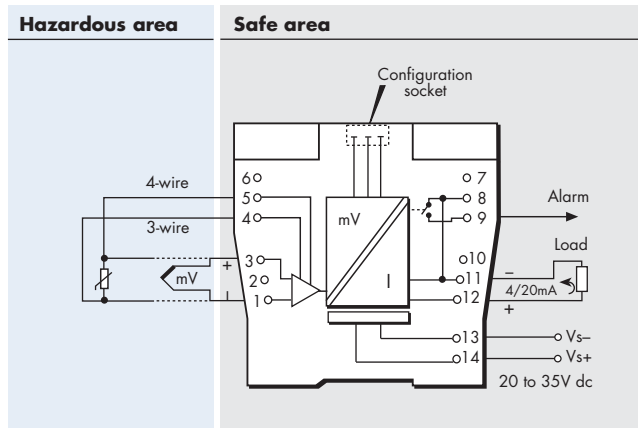
### Example of calibration accuracy and temperature drift

#### (RTD input - 500ms response)

Span: 250 $\Omega$

Accuracy:  $\pm (0.08/250 + 11/16000) \times 100\%$   
 $= 0.1\%$  of span

Temperature drift:  $\pm (0.007/250 \times 16000 + 0.6) \mu\text{A}/^{\circ}\text{C}$   
 $= \pm 1.0\mu\text{A}/^{\circ}\text{C}$



| Terminal | Function               |
|----------|------------------------|
| 1        | THC/EMF/RTD input –ve  |
| 3        | THC/EMF/RTD input +ve  |
| 4        | 3-wire RTD input –ve   |
| 5        | 4-wire RTD input +ve   |
| 8        | Output –ve/Alarm relay |
| 9        | Alarm relay            |
| 11       | Output –ve             |
| 12       | Output +ve             |
| 13       | Supply –ve             |
| 14       | Supply +ve             |

### Safety drive on sensor burnout

Upscale, downscale, or off

### Early burnout

Early burnout detection for thermocouples (when selected)  
Alarm trips when loop resistance increase is  $> 50\Omega$

### Output range

4 to 20mA nominal into 600 $\Omega$  max. (direct or reverse)

### Alarm output

Relay ON in alarm, 250mA @ 35V max

### Maximum lead resistance (THC)

600 $\Omega$

### Response time

Configurable - 500 ms default  
(Accuracy at 100/200ms - contact MTL)

### LED indicator

Green: power and status indication  
Yellow: alarm indication, on when contacts are closed

### Maximum current consumption (with 20mA signal)

50mA at 24V

### Power dissipation within unit (with 20mA signal)

1.2W at 24V

### Safety description

Refer to certificate for entity parameters.  $U_m=253\text{V}$  rms or dc.s

### Configurator

A personal computer running MTL PCS45 software with a PCL45USB serial interface.

The given data is only intended as a product description and should not be regarded as a legal warranty of properties or guarantee. In the interest of further technical developments, we reserve the right to make design changes.



EUROPE (EMEA)  
AMERICAS  
ASIA PACIFIC  
E-mail: enquiry@mtl-inst.com

Tel: +44 (0)1582 723633  
Tel: +1 281 571 8065  
Tel: +65 6 487 7887

Fax: +44 (0)1582 422283  
Fax: +1 281 571 8069  
Fax: +65 6 487 7997

Web site: www.mtl-inst.com

# MTL5599 DUMMY ISOLATOR

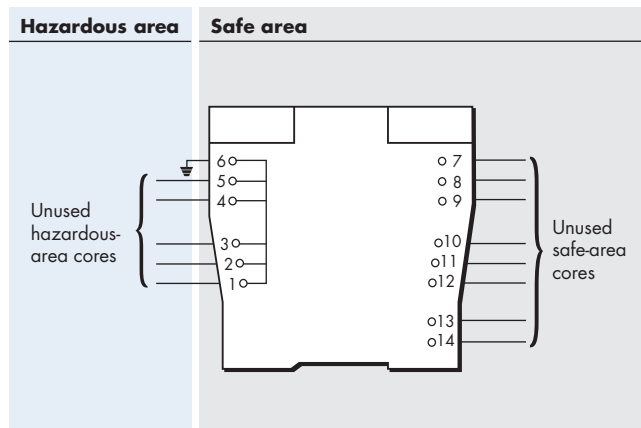
The primary function of the MTL5599, which can be used with all other MTL5500 Series units, is to provide termination and earthing facilities for unused cable cores from hazardous areas.

## SPECIFICATION

*See also common specification*

### Weight

60g



*The given data is only intended as a product description and should not be regarded as a legal warranty of properties or guarantee. In the interest of further technical developments, we reserve the right to make design changes.*





# MTL5500 SERIES COMMON SPECIFICATION

Please go to our website at [www.mtl-inst.com](http://www.mtl-inst.com) for the latest information regarding safety approvals, certificates and entity parameters.

## Connectors

Each MTL5500 unit is supplied with signal connectors, as applicable.

When using crimp ferrules for the hazardous and non-hazardous (safe) signal connectors the metal tube length should be 12mm and the wire trim length 14mm.

## Isolation

250V rms, tested at 2200V rms minimum, between safe-area, hazardous-area and power supply terminals

50V ac or dc between safe-area circuits where applicable.

## Supply voltage

20 – 35V dc

## Location of units

Safe area

## Terminals

Accepts conductors of up to 2.5mm<sup>2</sup> stranded or single-core

## Mounting

T-section 35mm DIN rail (7.5 or 15mm) to EN 50022

## Ambient temperature limits

–20 to +60°C (–6 to +140°F) operating

–40 to +80°C (–40 to +176°F) storage

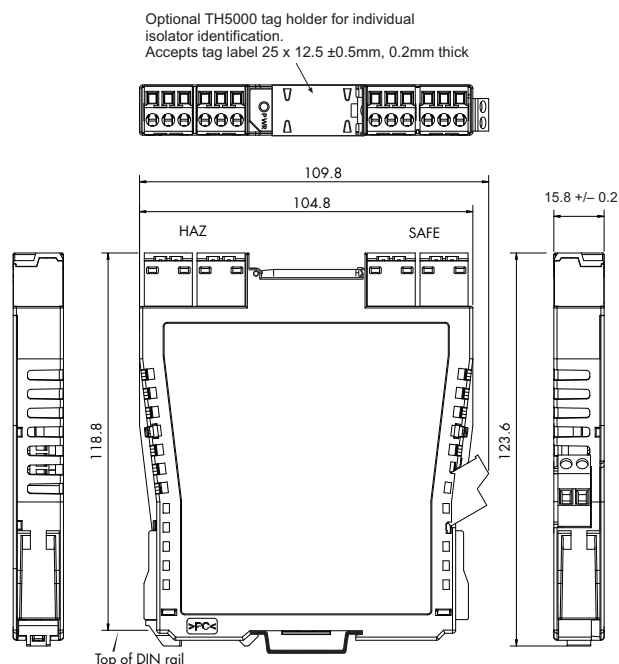
## Humidity

5 to 95% relative humidity

## Weight

110g approximately (except where indicated)

## DIMENSIONS (mm)



HART® is a registered trademark of HART Communication Foundation

The given data is only intended as a product description and should not be regarded as a legal warranty of properties or guarantee. In the interest of further technical developments, we reserve the right to make design changes.



# MTL5991 24V DC POWER SUPPLY



The MTL5991 provides a convenient source of power for DIN-rail mounted units in locations where a dc supply is not readily available. The wide input power supply range makes this unit universally applicable and the 2A output capability at 24V dc is sufficient to drive a useful number of MTL5000 and MTL5500 series modules.

## SPECIFICATION

### Power supply

85 to 264V ac  
47 to 63Hz

### Power dissipation within unit

7.2W @ 2A

### Mounting

35mm DIN (top hat) rail

### Output voltage

24V dc nom  
(23.64 min/24.36 max)

### Output current

2A maximum  
(1.7A with <105V ac input)

### LED indicators

Green: Power

### Weight

310g

### Ambient temperature

Operating temperature  $-10^{\circ}\text{C}$  to  $+50^{\circ}\text{C}$   
Storage temperature  $-40^{\circ}\text{C}$  to  $+85^{\circ}\text{C}$

### Dimensions

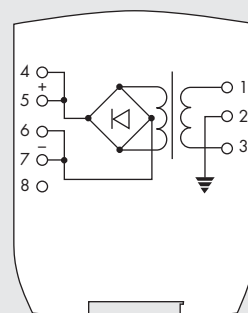
Height (above rail) 107mm  
Width 90mm  
Rail length required 38mm

### Terminals

Cage clamp type accommodating conductors up to 2.5mm<sup>2</sup>, stranded or single-core

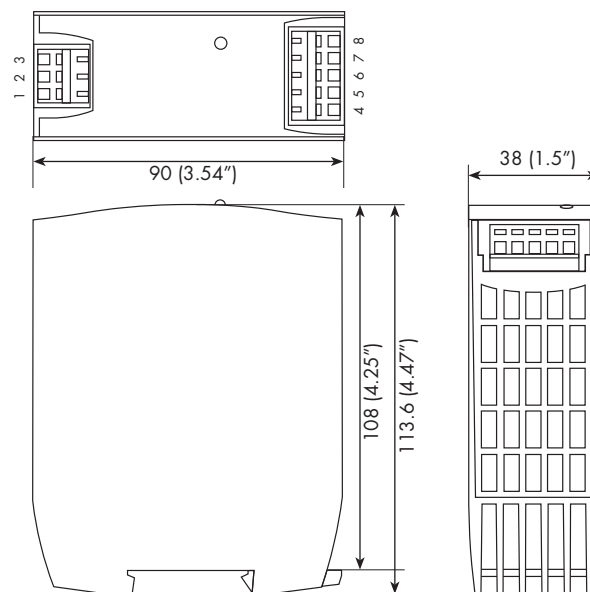
**Note:** Segregation between hazardous and safe area wiring must be maintained.

## Safe area



| Terminal | Function   |
|----------|------------|
| 1        | AC line    |
| 2        | Earth      |
| 3        | AC neutral |
| 4        | +24V       |
| 5        | +24V       |
| 6        | 0V         |
| 7        | 0V         |
| 8        | Do not use |

## DIMENSIONS



The given data is only intended as a product description and should not be regarded as a legal warranty of properties or guarantee. In the interest of further technical developments, we reserve the right to make design changes.



EUROPE (EMEA)  
AMERICAS  
ASIA PACIFIC  
E-mail: [enquiry@mtl-inst.com](mailto:enquiry@mtl-inst.com)

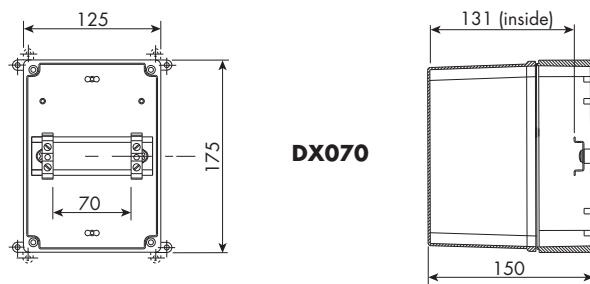
Tel: +44 (0)1582 723633  
Tel: +1 281 571 8065  
Tel: +65 6 487 7887

Fax: +44 (0)1582 422283  
Fax: +1 281 571 8069  
Fax: +65 6 487 7997

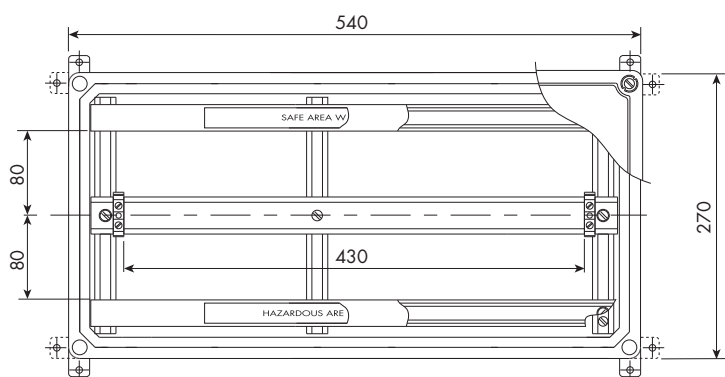
Web site: [www.mtl-inst.com](http://www.mtl-inst.com)

# MTL5500 SERIES ENCLOSURES

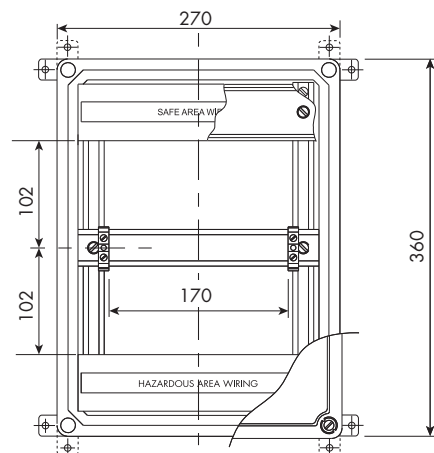
## DIMENSIONS (mm) AND MOUNTING



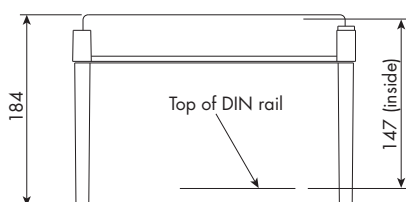
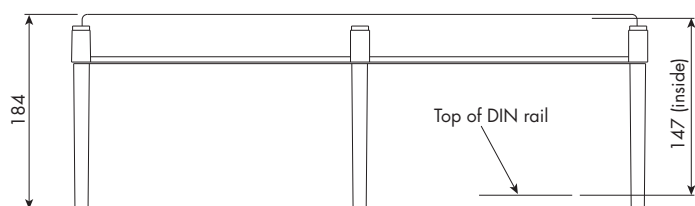
**DX070**



**DX430**



**DX170**



## SPECIFICATION

### Construction

- Glass reinforced polycarbonate base - DX070
- Glass reinforced polyester base - DX170, DX430
- Transparent polycarbonate lid

### Protection

- Dust-tight and water-jet proof to IEC529:IP65

### Lid fixing

- Captive fixing screws

### Weight (excluding barriers/isolators) kg

- DX070 0.8
- DX170 2.6
- DX430 4.1

### Items provided

- DIN rail - fitted
- ETL7000 Earth terminals (2 x) - fitted
- "Take care IS" front adhesive label
- Cable trunking (except DX070)

**Note: Isolators are not included.**

### Mounting

- Wall fixing lugs provided. For further details refer to INM5500.

### Tagging and earth rail

- Accommodates MTL5500 Series accessories.

### Permitted location

- Safe (non-hazardous) area

**Note:** N. America/Canada - Enclosures are rated NEMA 4X so can be used in Class 1, Division 2 (gases) location, but check with local requirements and ensure all cable entries also conform. Additional warning label will be required on or near the enclosure, see installation details. Not suitable for Class II or III, Division 2 hazardous locations.

### Approximate capacities (on DIN rail between earth terminals)

|              | Number of MTL5500 isolators |       |
|--------------|-----------------------------|-------|
| <b>DX070</b> | 4                           | (2)*  |
| <b>DX170</b> | 10                          | (8)*  |
| <b>DX430</b> | 26                          | (24)* |

\* Use these figures when IMB57 mounting blocks for tagging/earth are included.

### Ambient temperature limits

- Dependent on units fitted. See instruction manual INM5500.

The given data is only intended as a product description and should not be regarded as a legal warranty of properties or guarantee. In the interest of further technical developments, we reserve the right to make design changes.



# MTL5500 SERIES ACCESSORIES

MTL5500 Series isolators mount quickly and easily onto standard DIN rail. A comprehensive range of accessories simplifies earthing and tagging arrangements.

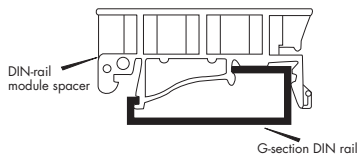
## MOUNTING

### THR2 DIN rail, 1m length

DIN rail to EN50022; BS5584; DIN46277

### MS010 DIN rail module spacer, 10mm, pack of 5

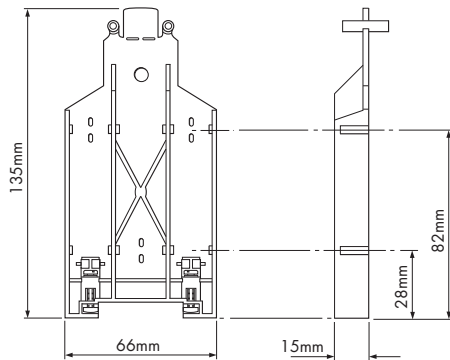
Grey spacer, one required between each MTL5995 and any adjacent module on a DIN rail, to provide 10mm air-circulation space between modules



## EARTH RAIL AND TAG STRIP

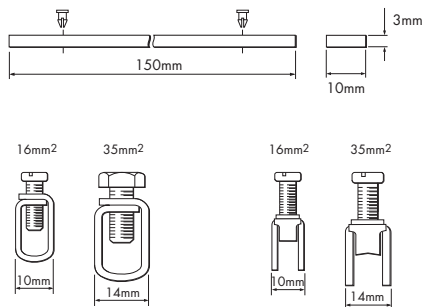
### IMB57 Insulating mounting block

One required at each end of a tagging strip/earth rail. Suitable for low-profile (7.5mm) and high-profile (15mm) symmetrical DIN rail.



### ERB57S Earth-rail bracket, straight

Nickel-plated; supplied with two push fasteners, one (14mm, 35mm<sup>2</sup>) earth-rail clamp and one (10mm, 16mm<sup>2</sup>) earth clamp.

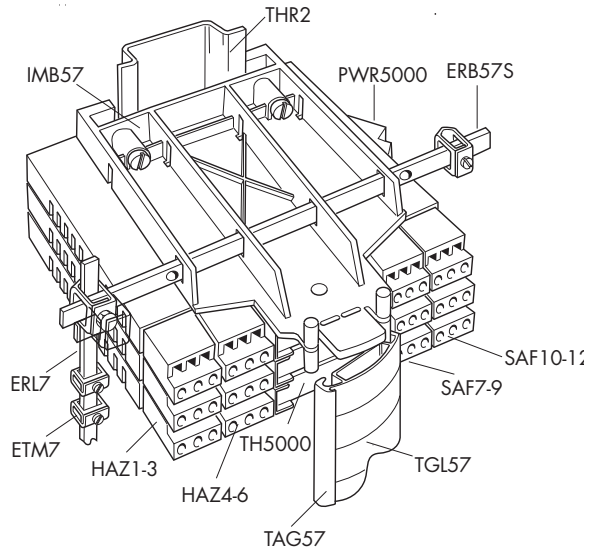


### ERL7 Earth rail, 1m length

Nickel-plated; may be cut to length.

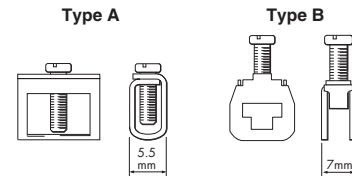


## MOUNTING DETAILS



### ETM7 Earth terminal, bag of 50

For terminating cable screens and 0V returns on the ERL7 earth rail. For cables ≤ 4mm<sup>2</sup>. Exact dimension dependent on manufacturer.



### TAG57 Tagging strip, 1m length

Cut to size. Supplied with reversible tagging strip label suitable for MTL5000, MTL5500 or MTL7000 Series module spacing.



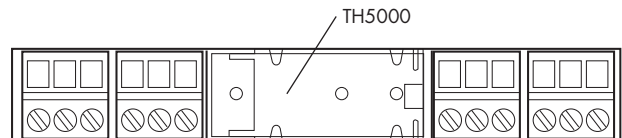
### TGL57 Tagging strip labels, set of 10 x 0.5m

Spares replacement, for use with TAG57 tagging strip. Labels are reversible - one side for MTL5000, the other for MTL7000.

## INDIVIDUAL ISOLATOR IDENTIFICATION

### TH5000 tag holders

Each isolator may be fitted with a clear plastic tag holder, as shown below. Order TH5000, pack of 20.



## CONNECTORS

Each MTL5500 unit is supplied with signal and power connectors, as applicable.

Spares replacement connectors are available separately; see ordering information.

**See also  
'MTL5500 Series powerbus kits'**

*The given data is only intended as a product description and should not be regarded as a legal warranty of properties or guarantee. In the interest of further technical developments, we reserve the right to make design changes.*



# MTL5500 SERIES POWERBUS KITS

PB - 8T,16T,24T,32T

The MTL5500 Series powerbus kit enables quick and easy wiring to power up to 32 MTL5500 Series modules using a standard 24V power supply. Each powerbus kit includes 4 single ferrules, 4 twin ferrules and 2 insulation displacement connectors (Scotchlok).

## SPECIFICATION

### Available in 4 different lengths:

|          |                           |
|----------|---------------------------|
| PB - 8T  | = 8 connectors and loops  |
| PB - 16T | = 16 connectors and loops |
| PB - 24T | = 24 connectors and loops |
| PB - 32T | = 32 connectors and loops |

## CABLE PARAMETERS

### Insulation material :

PVC

### Conductor :

24 strands of 0.2mm dia (0.75mm<sup>2</sup>) standard copper

### Insulation thickness :

0.5 to 0.8 mm

### Current rating :

12A max

### Operating temperature range :

- 20°C to +60°C

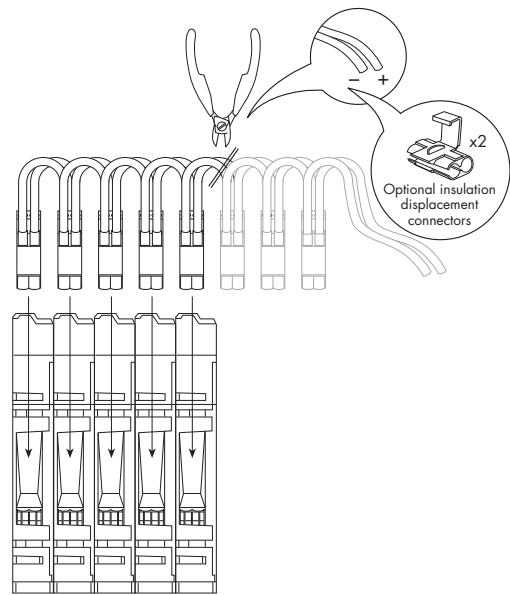
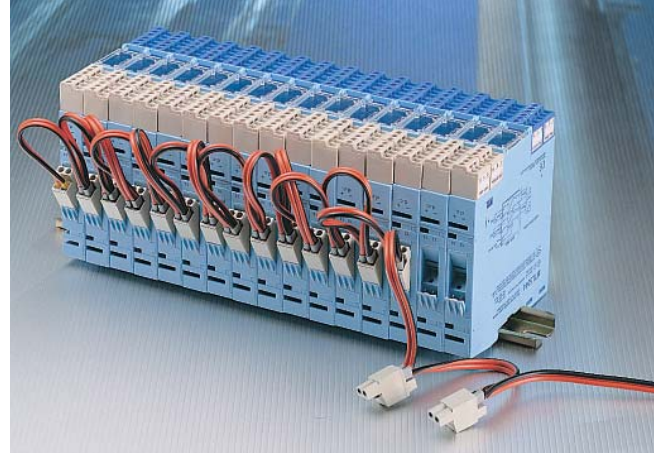
### Max voltage drop on 32 modules drawing 130mA max :

0.5V

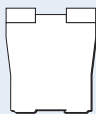
## CHOOSING A POWERBUS

Choose a powerbus where the number of power plugs is greater than or equal to the number of isolators to be powered and if necessary cut the powerbus to the required number of terminations.

**Note: To reduce the risk of excessive voltage drop or overcurrent do not connect powerbuses in series.**



## ORDERING INFORMATION



### MTL5500 Series isolators

Specify part number: eg, **MTL5511**

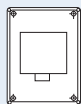
### Mounting accessories

|              |   |
|--------------|---|
| <b>THR2</b>  | 1m length of DIN rail to EN 50022; BS 5584; DIN 46277 |
| <b>MS010</b> | DIN-rail module spacer, 10mm (pack of 5)              |

### Earth-rail and tag strip accessories

|               |  |
|---------------|--|
| <b>IMB57</b>  | Insulating mounting block              |
| <b>ERB57S</b> | Earth-rail bracket, straight           |
| <b>ERL7</b>   | Earth-rail, 1m length                  |
| <b>ETM7</b>   | Earth terminal, bag of 50              |
| <b>TAG57</b>  | Tagging strip, 1m length               |
| <b>TGL57</b>  | Tagging strip labels, set of 10 x 0.5m |

### Enclosures



|              |                            |
|--------------|----------------------------|
| <b>DX070</b> | Enclosure for MTL5500 x 4  |
| <b>DX170</b> | Enclosure for MTL5500 x 10 |
| <b>DX430</b> | Enclosure for MTL5500 x 26 |

### Individual isolator identification

|               |                         |
|---------------|-------------------------|
| <b>TH5000</b> | Tag holder (Pack of 20) |
|---------------|-------------------------|

### Connectors

|                 |  |
|-----------------|--|
| <b>HAZ1-3</b>   | Hazardous-area plug, terminals 1, 2 and 3                        |
| <b>HAZ4-6</b>   | Hazardous-area plug, terminals 4, 5 and 6                        |
| <b>HAZ-CJC</b>  | Hazardous-area plug, terminals 1 and 3 with cold-junction sensor |
| <b>PWR5000</b>  | Power connector, terminals 13 and 14                             |
| <b>SAF7-9</b>   | Safe-area plug, terminals 7, 8 and 9                             |
| <b>SAF10-12</b> | Safe-area plug, terminals 10, 11 and 12                          |
| <b>PB-8T</b>    | Powerbus Kit for up to 8 isolators                               |
| <b>PB-16T</b>   | Powerbus Kit for up to 16 isolators                              |
| <b>PB-24T</b>   | Powerbus Kit for up to 24 isolators                              |
| <b>PB-32T</b>   | Powerbus Kit for up to 32 isolators                              |

### Literature

|                |                                   |
|----------------|-----------------------------------|
| <b>INM5500</b> | MTL5500 Series instruction manual |
|----------------|-----------------------------------|

### Configurator (MTL5575)

|                 |   |
|-----------------|---|
| <b>PCL45USB</b> | Configurator, PC software and interface |
|-----------------|---|

