



NINGBO LONGTAI ELECTRIC MANUFACTURE CO., LTD

No.75, DANXIA ROAD, INDUSTRIAL ZONE, XIANGSHAN, NINGBO, CHINA

TEL: 86-574-65771506

FAX: 86-574-65771508

www.xtgygs.cn

Email: eson1980@hotmail.com

SPECIFICATION

CUSTOMER :

MODEL NO. :JL-5015H12S

DESCRIPTION :DC Axial Fan

DATE :November 15, 2019

FINISHED BY	CHECKED BY	CUSTOMER APPROVE





A.SPECIFICATION

NO.	ITEM	SPECIFICATION	UNIT	CONDITION
01	Model No	JL-5015H12S	-----	-----
02	Dimension	50*50*15	mm	-----
03	Bearing	Sleeve	-----	-----
04	Rated Voltage	12	VDC	-----
05	Operating Voltage	7.8 to 12	VDC	-----
06	Rated Current	0.15-0.18	Amp	At Rated Voltage
07	Rated power	1.8	Watt	At Rated Voltage
08	Speed	6500±10%	RPM	At Rated Voltage
09	Air Flow	14.9	CFM	At Free Air
10	Noise Level	32.7	dB-A	At Rated Speed
11	Life Expectancy	30000	Hours	At Room Temp
12	Motor Type	Brushless DC motor	-----	-----
13	Air pressure	6.76	mmH2O	-----
14	Insulation Class	Class A	-----	-----
15	Operating Temperature	-10~+70	℃	-----
16	Direction of Rotation	Clockwise	-----	Look at the fan label
17	Net Weight	26.4	Gram	Per Each Piece
18	Approval	ULCE	-----	-----

B.MATERIAL

NO.	ITEM	DESCRIPTION
01	Lead wire type	2 wire, Red/Black
02	Wire Length	Optional
03	Terminal Type	----
04	Frame	PBT thermoplastic, Black, UL94-V0
05	Impeller	PBT thermoplastic, 7 blades, Black, UL94-V0

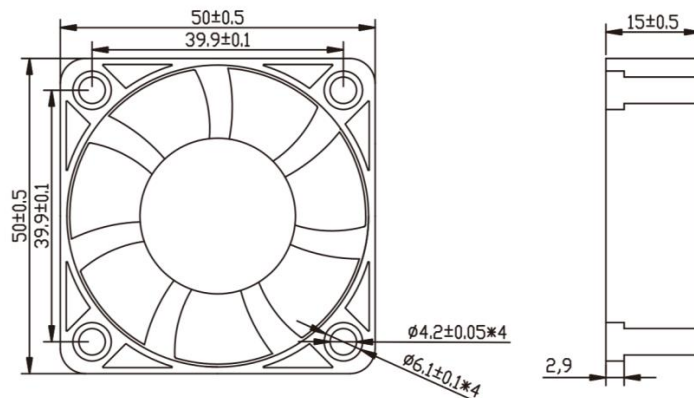
C.ELECTRICAL PERFORMANCE

01	Insulation Resistance	500 MΩ minimum at 500VDC
02	Dielectric Strength	1800VAC for one second
03	Noise Level	Measured in a semi-anechoic chamber with background noise level below 15Dba.The fan is running in free air with the microphone at a distance of one meter from the fan intake.

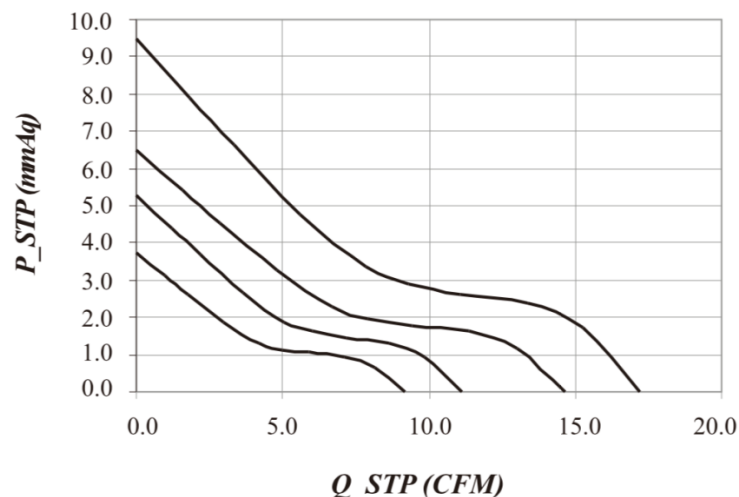
D.ENVIRONMENTAL ILLUSTRATION

01	Operating Temperature	-10°C ~ +70°C at humidity 65%+/-20% RH.
02	Storage Temperature	All function shall be normal storage at -30°C ~+70°C with a 24 hours recovery period at room temperature.
03	Humidity	After 96 hours, 95% RH, 40+/-2°C PER MIL-STD-202F, method 103B humidity test, the measured data on insulation resistance and dielectric strength shall meet the specification.

E.DIMENSIONS(UNITS:mm)



F. P.Q. CHARTS



*Special data may be provided if necessary according to the inquiry.Jiulong all technical modification rights reserved.