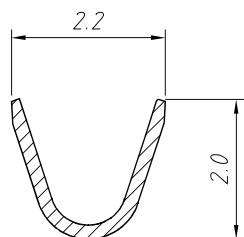
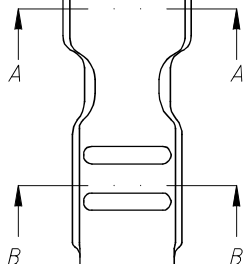
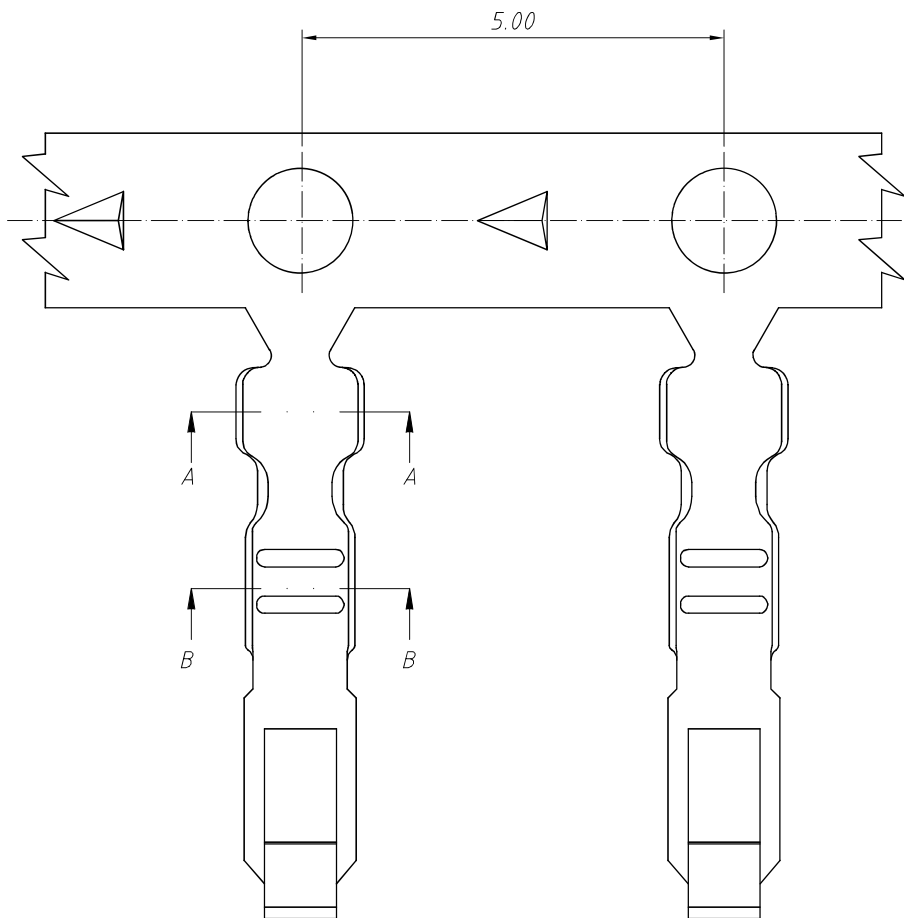
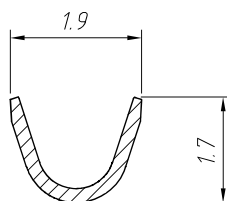


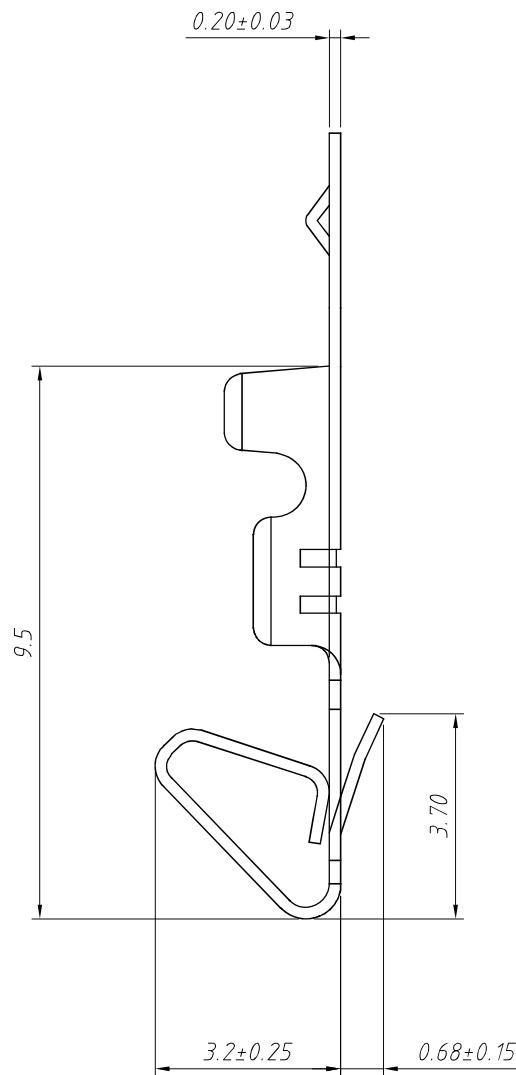
RoHS Compliance



A-A



B-B



Material:
 Terminal: Phosphor Bronze
 Plating: Tin plated over Nickel
 Applicable wires: AWG #22 ~ #28
 Insulation O.D.: 1.5mm
 Qty/reel: 10000 pcs

Electrical Characteristics:
 Rated Current: 4.0AMP
 Voltage rating: 250V AC, DC
 Temperature range: -25°C ~ +85°C
 Insulator Resistance: 1000MΩ Min
 Withstanding Voltage: 1000V AC/minute
 Contact Resistance: 10mΩ Max

Order Information:
 L-KLS1-2.54-T

L: RoHS
 Pitch: 2.54mm
 Type:
 T-Terminal H-Hosing
 S-Straight male pin
 R/R1/R2-Right angle male pin

ANGLE TOLERANCE	PROJECTION	Description:	2.54mm Pitch 2510
±3°			Wire To Board Connector
GENERAL TOLERANCE	UNITS	mm	KLS P/N:
x.x ±0.30	SHEET SIZE	A4	L-KLS1-2.54-T
x.xx ±0.20	Draw:	Daniel	2021-01-11
x.xxx ±0.10	Check:	Daniel	2021-01-11



NingBo KLS ELECTRONIC CO.,L TD.