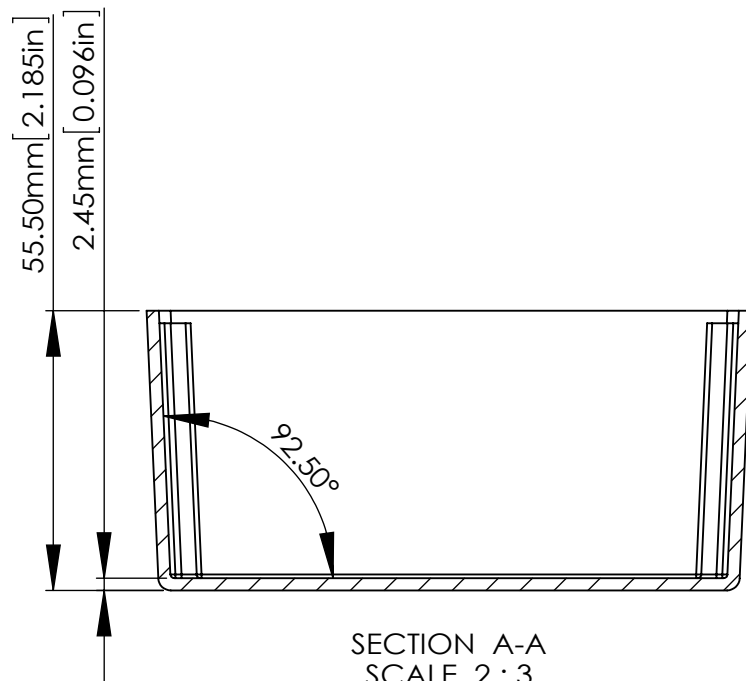
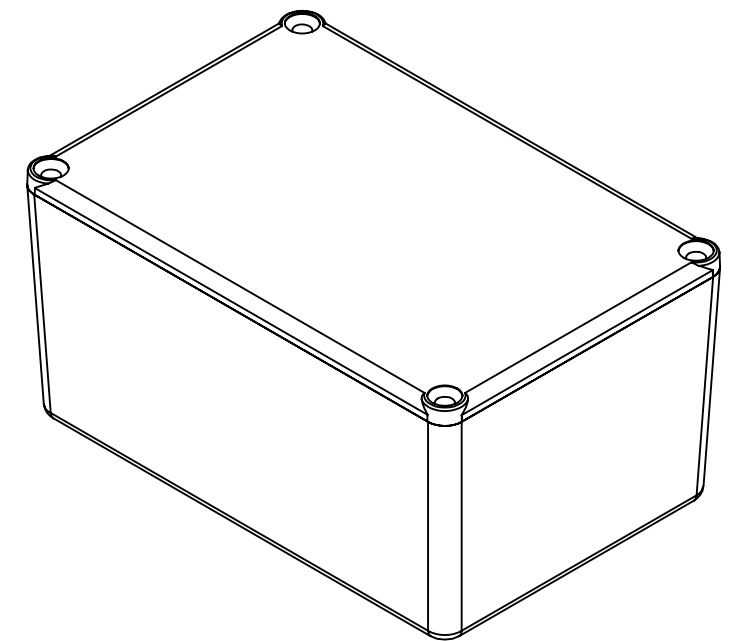
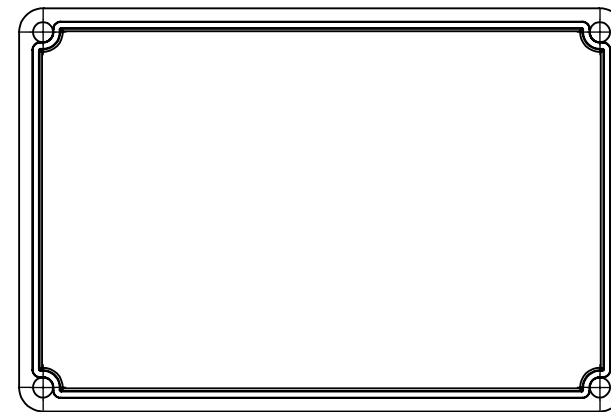
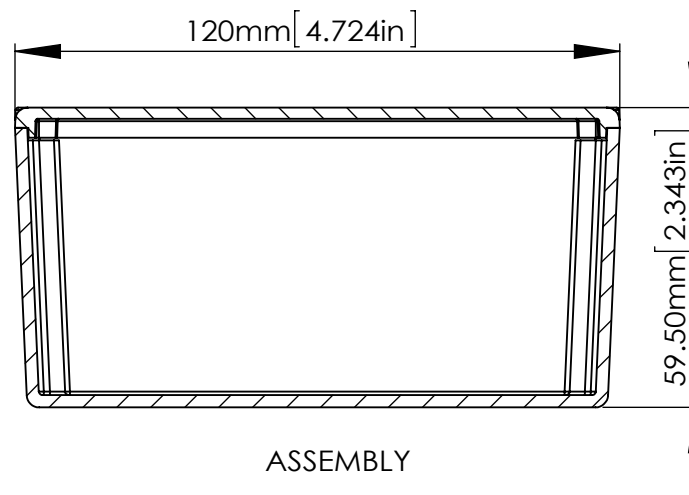


SECTION B-B  
SCALE 2 : 3

FOUR (4) #6-32X5/8"  
SELF-TAPPING SCREWS.



SECTION A-A  
SCALE 2 : 3



ASSEMBLY

According to ISO 2768-m	
Measuring DIM=L	Tolerances
0.5<L<=3.0mm	±0.1mm
3.0<L<=6.0 mm	±0.1mm
6.0<L<=30.0 mm	±0.2mm
30.0<L<=120.0 mm	±0.3mm
120.0<L<=400.0 mm	±0.5mm
400.0<L<=1000.0 mm	±0.8mm

宣又實業有限公司  
GAINTA INDUSTRIES LTD.

繪圖 DRA'D BY  
JACKY

日期 DATE  
2017/09/20

材質 MATE.  
ALUMINIUM

圖名TITLE:  
G0472

圖號DWG NO:

版次REVISED:  
A