

Introduction


**Heavy Duty Sealed
Connector Series
(HDSCS) for the
Automotive Market**


The Heavy Duty Sealed Connector Series, so called HDSCS, is targeted for the commercial vehicle industry and off-road applications. This wire-to-wire and wire-to-device connector program was designed to meet the rigorous demands of an industry that requires the highest standards in performance.

The HDSCS program consists of five groups of connectors in different sizes, starting from 2 up to 18 way connectors. In addition, mixed combinations with signal and power lines are available.

This HDSCS program will feature the AMP MCP 1.5K, AMP MCP 2.8 and AMP MCP 6.3/4.8K receptacles and tabs as a contact system.

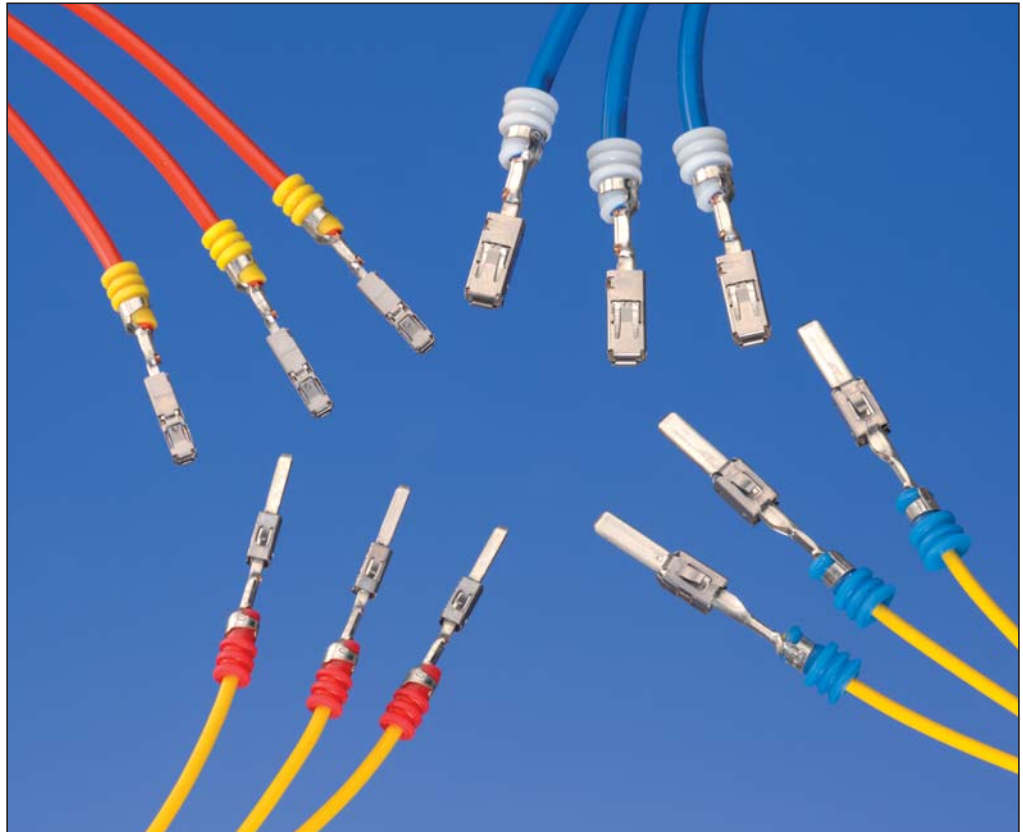
Technical Features

- High reliability status supported for long term use
- High vibration level supported
- Perfect design to avoid quality problems, reduce manufacturing and service cost
- Integrated secondary locking device delivered in pre-locked position
- Polarization, several keyings
- Clear handling, low mating force with a reliable slide locking mechanism delivered in pre-locked position

Engineering Notes



Introduction


The AMP MCP Contact System Offers Highest Functionality for Application in Commercial Vehicles


The AMP MCP Contact System is mainly used in the automotive industry. Each contact consists of a flat receptacle, which mates with a flat tab. Every contact has got a steel spring and a copper alloy body.

The two-piece contact design means that the electrical and mechanical properties are separated. One end of the contact body is crimped to wire and the other end mates with the matching tab. The closed spring has got several functions and also different advantages for the complete contact system.

- Protection of the contact springs
- No over elongation of the contact springs possible under normal circumstances
- No possibility to connect from the rear side
- Protection against mechanical damage
- Good guiding in the cavity
- Secondary locking possible (from 4 directions)
- Assembly into housing fully-automatically

In addition there are usually two lances on the steel to spring. These serve to lock the contact securely in the housing.

The main advantages of the body are:

- Several contact points
- Large range of wire sizes (from 0.2 mm² at AMP MCP 1.5K up to 6.0 mm² at AMP MCP 6.3/4.8K)
- Base material with very high current capability
- High vibrational load

Tabs and receptacles can be applied in both sealed and unsealed connectors.

AMP MCP contacts can be fast and economically arranged to the lead using Tyco Electronics application tooling.

Sealed Receptacle Contacts

Technical Features

Contact Material:

CuNiSi
Top Spring: Stainless Steel

Contact Finish:

Tin plated, selective silver plated,
selective gold plated

Wire Size Range:

0.20–0.35 mm², 0.5–1.0 mm²,
>1.0–1.5 mm² (FLR Cable)

Current Carrying Capacity:

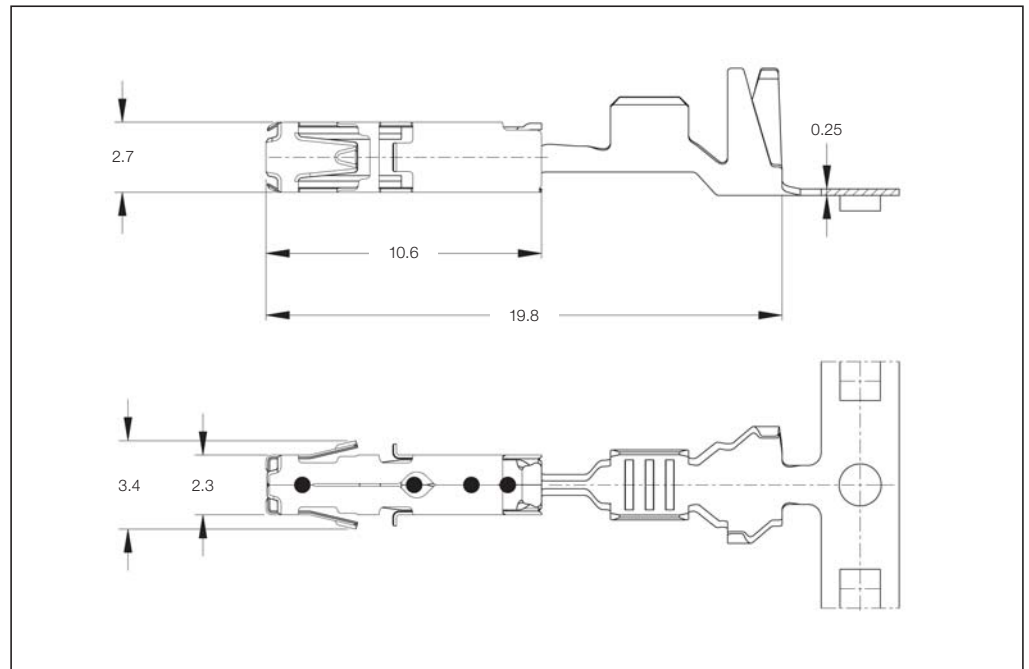
up to 20 Ampere
(at 20 °C ambient temperature)

Temperature Range:

–40 °C ... +130 °C (tin plated)
–40 °C ... +140 °C (silver plated)
–40 °C ... +150 °C (gold plated)

Mating Cycles:●

up to 10 cycles (tin plated)
up to 50 cycles (silver plated)
up to 100 cycles (gold plated)



Contact Resistance:

New State ≤ 2 mΩ

Mating Force:

Max. 6 N

Unmating Force:

Max. 6 N

Dimension of Male Contacts:

1.5^{+0.2}/_{-0.1} x 0.6^{+0.07}/_{-0.03} mm

Extraction Tool:

Part No. **1-1579007-1**

Product Group Drawing:

1241436

Product Specification:

108-18716

Application Specification:

114-18386

●) Mating Cycles are depending on various technical influences and must be clarified in each individual case.

Receptacle Contacts Single Wire Sealing System (SWS)

Wire Size Range (mm ²)	Insulation Diameter (mm)		Material and Finish*	Part Numbers				Applicator♦	Hand Tool Complete
	FLK	FLR		Strip Form	Package Quantity	Loose-Piece	Package Quantity		
0.20–0.35	–	1.1–1.4	-1 / -2 / -3	1241378	4,500	1241379	500	x-1528122-x	2063524-1
0.5–1.0	–	1.4–2.1	-1 / -2 / -3 / 1-xxx-2	1241380	4,500	1241381	500	x-1528324-x	
>1.0–1.5	–	2.2–2.4	-1 / -3	1418884	4,500	1418885	500	x-1530008-x	–

***) Material and Finish:**

xxx-1 = CuNiSi, pre-tin plated
xxx-2 = CuNiSi, selective gold plated
xxx-3 = CuNiSi, selective silver plated
1-xxx-2 = CuNiSi, min. 1.27 μm selective gold plated

♦) The pre- and suffix for the applicators depends on the applied termination equipment.

Note: All Part Numbers are RoHS and ELV compliant.

Sealed Tab Contacts

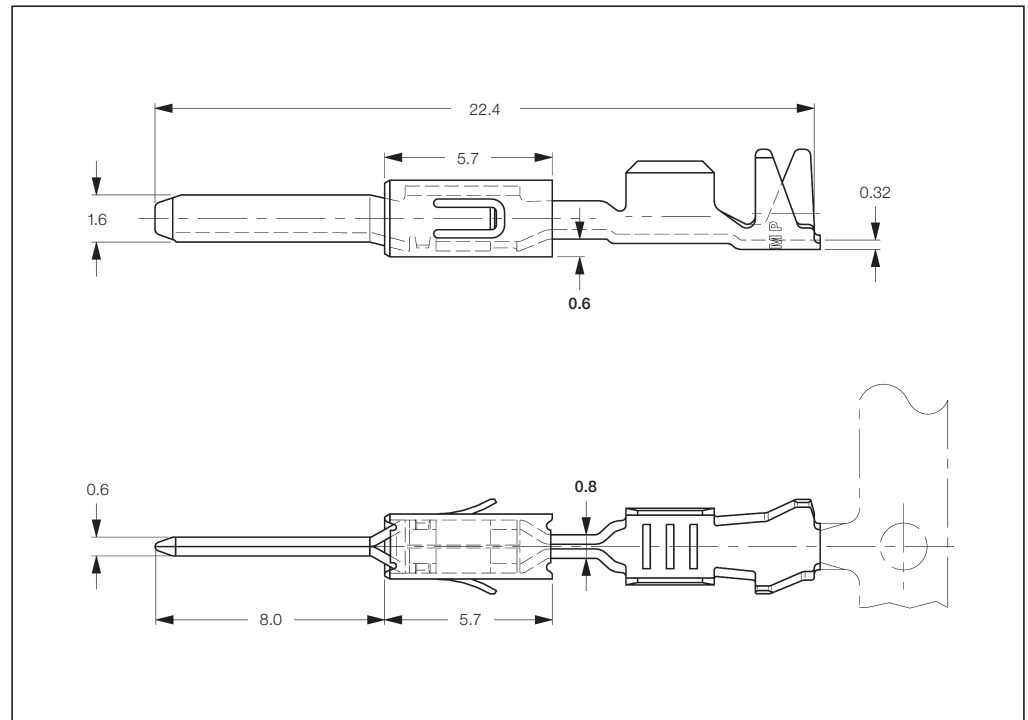
**Tabs 1.6 x 0.6 mm
with Modified
Steel Top Spring,
Mates with
AMP MCP 1.5K
Contact System**

Extraction Tool:
Part No. **539960-1**

Product Group Drawing:
1355055

Product Specification:
108-18331

Application Specification:
114-18082



Tab Contacts Single Wire Sealing System with Modified Spring (SWS)

Wire Size Range (mm ²)	Insulation Diameter (mm)		Material and Finish*	Part Numbers					
	FLK	FLR		Strip Form	Package Quantity	Loose-Piece	Package Quantity	Applicator [♦]	Hand Tool Complete
0.2-0.5	-	1.2-1.6	-2 / -3	969028 ²⁾	4,000	969029 ²⁾	500	x-1528068-x	2063409-1
0.5-1.0	-	1.4-2.1	-2 / -3 / -5	964269 ²⁾	4,000	964270 ²⁾	500	x-1528261-x	

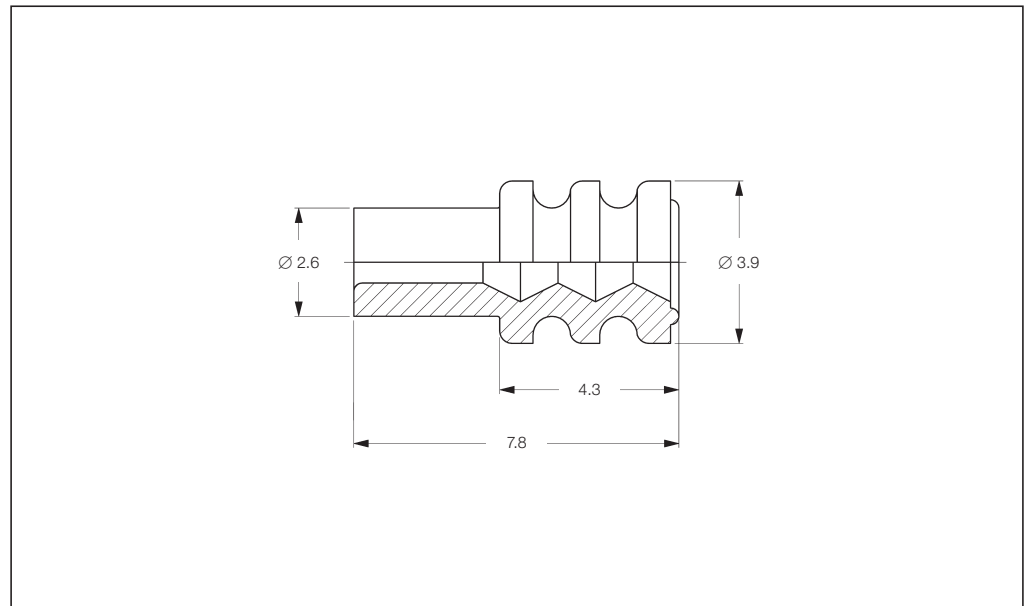
***) Material and Finish:**
xxx-2 = CuFe2, pre-tin plated
xxx-3 = CuSn4, gold plated
xxx-5 = CuSn4, selective silver plated

♦) The pre- and suffix for the applicators depends on the applied termination equipment.

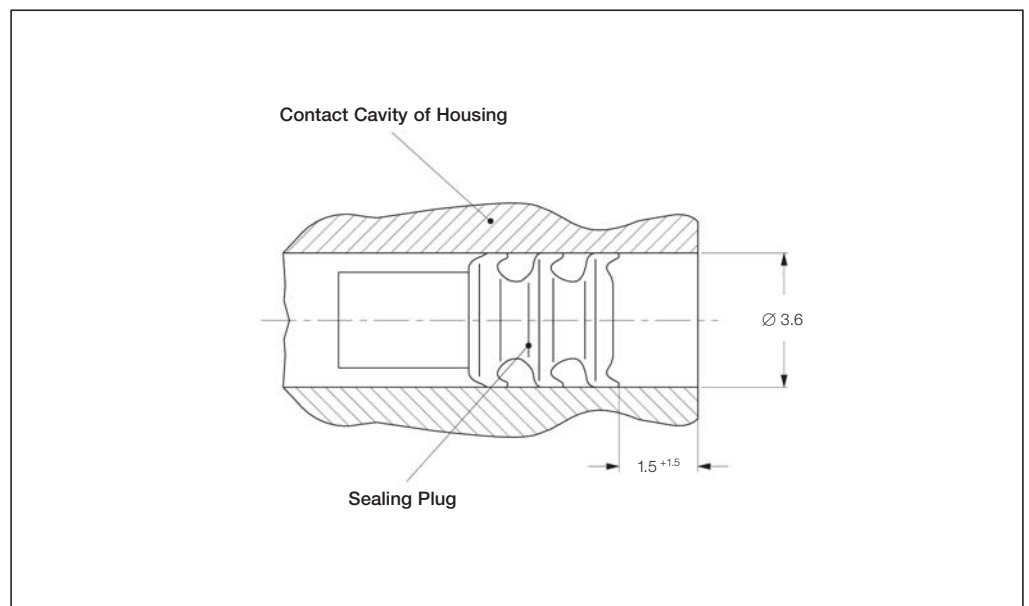
Note: All Part Numbers are RoHS and ELV compliant.

Single Wire Seals and Sealing Plugs

Single Wire Seals and Sealing Plugs for AMP MCP 1.5K Contact System (Cavity Diameter 3.6 mm)



Insulation Diameter (mm)	Color	Part Number	Package Quantity
0.9–1.2	Green	1718705-1	10,000
1.2–1.6	Red	964971-1	10,000
	Blue	1394133-1	10,000
1.4–1.9	Gray	963530-1	10,000
1.9–2.4	Yellow	964972-1	10,000
Sealing Plug	White	963531-1	10,000
	Natural	1394132-1	10,000



Sealed Receptacle Contacts

Technical Features

Material:

Contact: CuNiSi
 Tabs: CuSn4, CuFe2
 Top Spring: Stainless Steel

Contact Finish:

Tin plated, selective silver plated,
 selective gold plated

Wire Size Range:

0.2–0.5 mm², 0.5–1.0 mm²,
 1.0–2.5 mm², Single Wires (FLR),
 AWG 12 TXL

Current Carrying Capacity:

up to 40 Ampere
 (at 20 °C ambient temperature)

Mating Force*:

Max. 6 N

Unmating Force*:

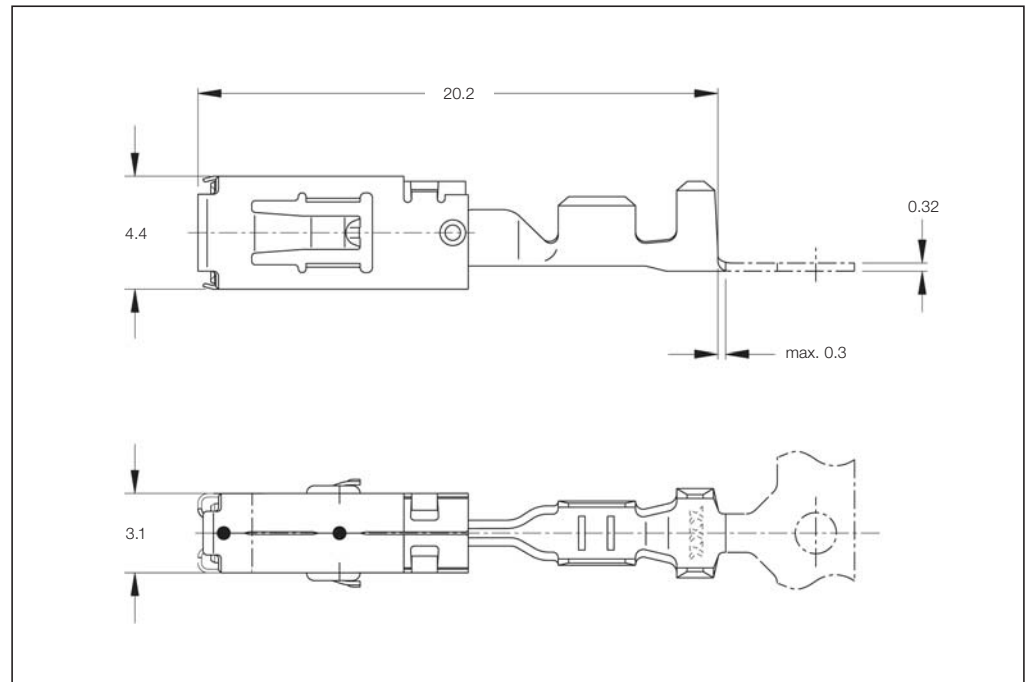
Max. 5 N

Mating Cycles:●

up to 20 cycles (tin plated)
 up to 50 cycles (silver plated)
 up to 100 cycles (gold plated)

*) Steel Tab, see Specifications

●) Mating Cycles are depending on various technical influences and must be clarified in each individual case.



Temperature Range:

–40 °C ... +130 °C (tin plated)
 –40 °C ... +140 °C (silver plated)
 –40 °C ... +150 °C (gold plated)

Dimension of Male Contacts:

2.8^{±0.1} x 0.8^{±0.03} mm
 3.0^{±0.1} x 0.8^{±0.03} mm

Contact Resistance:

New State ≤ 2 mΩ

Extraction Tool:

Part No. **1579007-1**

Product Specification:

108-18513

Application Specification:

114-18148

Product Group Drawing:

1355036

Receptacle Contacts Single Wire Sealing System (SWS)

Wire Size Range (mm ²)	Insulation Diameter (mm)		Material and Finish*	Part Numbers				Applicator ♦	Hand Tool Complete
	FLK	FLR		Strip Form	Package Quantity	Loose-Piece	Package Quantity		
0.35	–	1.2–1.4	1-xxx-1 / 1-xxx-3	968882	4,500	968896	500	x-1426162-x	2063623-1
0.5–1.0	–	1.4–2.1	1-xxx-1 / 1-xxx-2 / 1-xxx-3	968855	3,500	968875	500	x-1528017-x	2063624-1
1.0–2.5	–	2.2–3.0	1-xxx-1 / 1-xxx-3	968857	4,000	968876	500	x-1528066-x	2063523-1
AWG 12 TXL	–	max. 3.2	1-xxx-1 / 1-xxx-3	1719506	2,500	–	–	x-1852290-x	–

* Material and Finish:

1-xxx-1 = CuNiSi, pre-tin plated
 1-xxx-2 = CuNiSi, selective gold plated
 1-xxx-3 = CuNiSi, selective silver plated

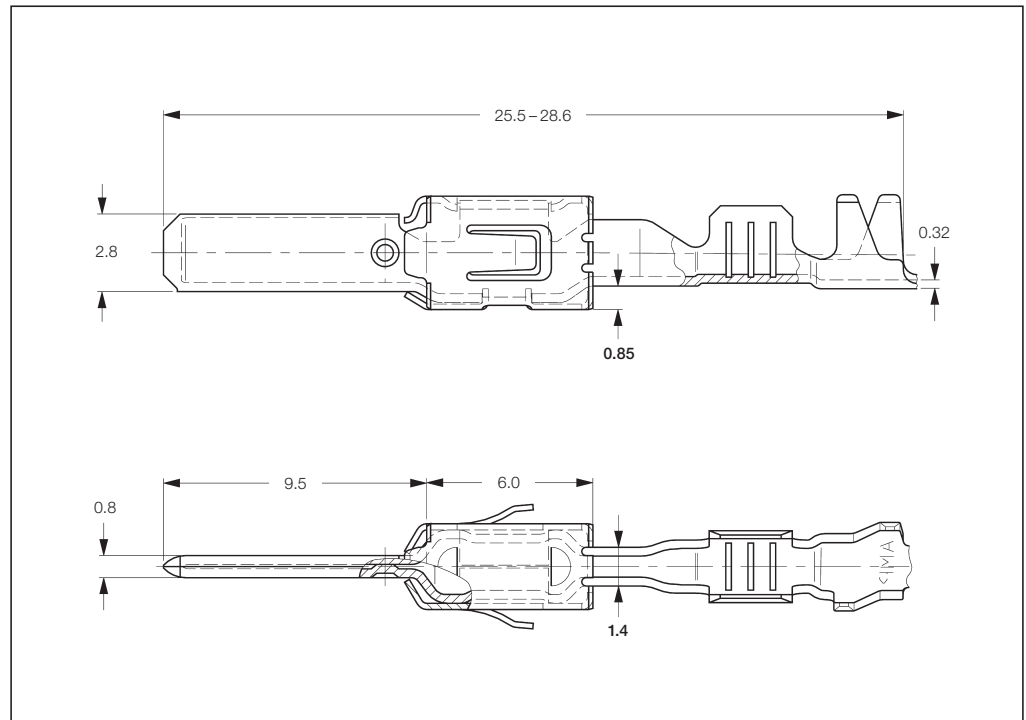
♦) The pre- and suffix for the applicators depends on the applied termination equipment.

Note: All Part Numbers are RoHS and ELV compliant.

Sealed Tab Contacts

Tabs 2.8 x 0.8 mm with Steel Top Spring, Mates with AMP MCP 2.8 Contact System

Extraction Tool:
Part No. **1-1579007-6**
Product Group Drawing:
1355052
Product Specification:
108-18063
Application Specification:
114-18051



Tab Contacts with Single Wire Sealing System (SWS)

Wire Size Range (mm ²)	Insulation Diameter (mm)		Material and Finish*	Part Numbers					
	FLK	FLR		Strip Form	Package Quantity	Loose-Piece	Package Quantity	Applicator [†]	Hand Tool Complete
0.2-0.5	-	max. 2.1	1-xxx-1 / 1-xxx-3	965982	3,500	965983	500	x-1528406-x	734538-1
0.5-1.0	-	max. 2.1	1-xxx-1 / 1-xxx-2 / 1-xxx-3 / 2-xxx-1 / 2-xxx-2 / 2-xxx-3	962915	3,500	963748	500	x-1528452-x	2063490-1
1.5-2.5	-	max. 3.0	1-xxx-1 / 1-xxx-2 / 1-xxx-3 / 2-xxx-1 / 2-xxx-2 / 2-xxx-3	962916	3,300	963749	500	x-1528316-x	2063490-1
AWG 12 TXL	-	max. 3.2	1-xxx-1 / 1-xxx-2	1719504	3,200	1719503	500	x-1852291-x	-

***) Material and Finish:**

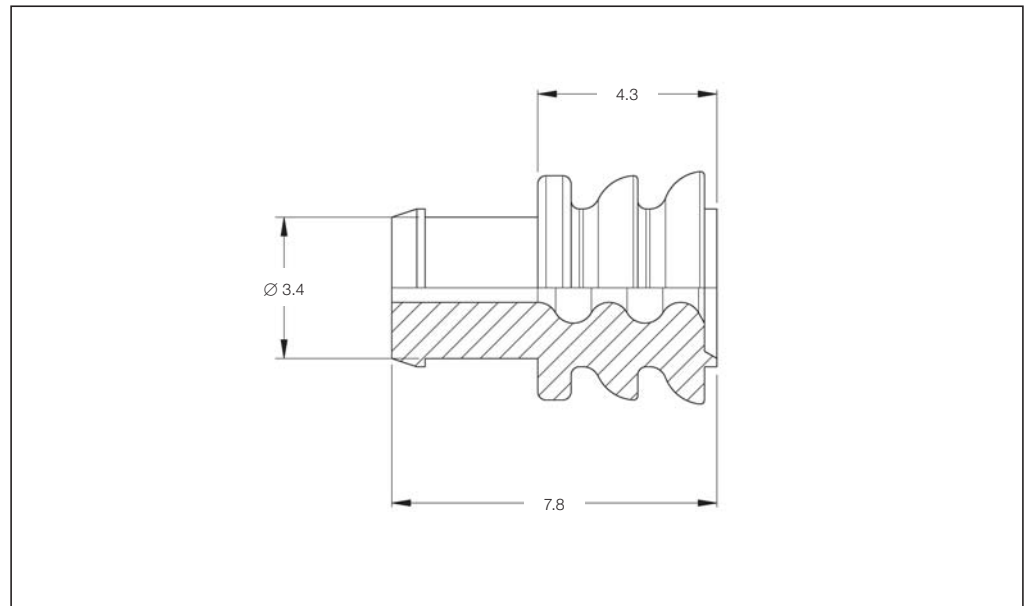
- 1-xxx-1 = CuSn, pre-tin plated
- 1-xxx-2 = CuSn, selective silver plated
- 1-xxx-3 = CuSn, selective gold plated
- 2-xxx-1 = CuFe, pre-tin plated
- 2-xxx-2 = CuFe, selective silver plated
- 2-xxx-3 = CuFe, selective gold plated
- 3-xxx-1 = CuSn, pre-tin plated

[†]) The pre- and suffix for the applicators depends on the applied termination equipment.

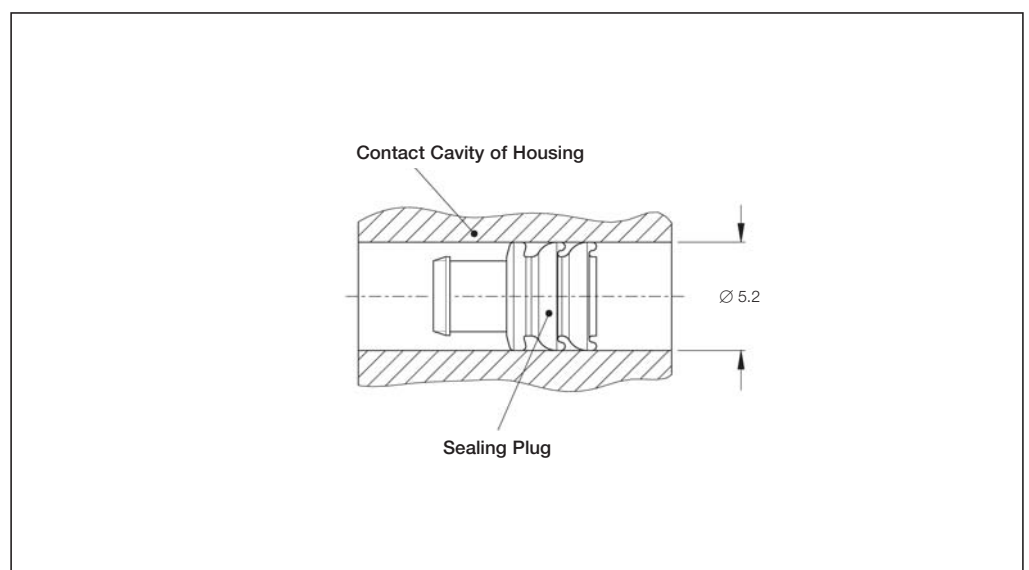
Note: All Part Numbers are RoHS and ELV compliant.

Single Wire Seals and Sealing Plugs

Single Wire Seals and Sealing Plugs for AMP MCP 2.8 Contact System (Two Cavity Diameters)



Function Relevant Insulation Diameter (mm)	(Example for Wire Size, FLR Insulation according ISO 6722 (mm ²))	Color	Diameter A (mm)	Part Number	Package Quantity
1.2-2.1	(0.35-1.00)	Blue	5.6	828904-1	1,000
				828904-2	10,000
(2.2-3.0, 3.2)	(1.5-2.5), AWG 12 TXL	White	5.6	828905-1	10,000
Sealing Plug	-	Natural	5.6	828922-1	10,000



Sealed Receptacle Contacts

Technical Features

Contact Material:

CuNiSi
Top Spring: Stainless Steel

Contact Finish:

Tin plated, selective silver plated

Wire Size Range:

0.2–0.5 mm², 0.5–1.0 mm²,
>1.0–2.5 mm², >2.5–4.0 mm²,
>4.0–6.0 mm²

Current Carrying Capacity:

up to 40 Ampere
(at 20 °C ambient temperature)

Temperature Range:

–40 °C ... +130 °C (tin plated)
–40 °C ... +140 °C (silver plated)
–40 °C ... +140 °C (tin-silver)

Dimension of Male Contacts:

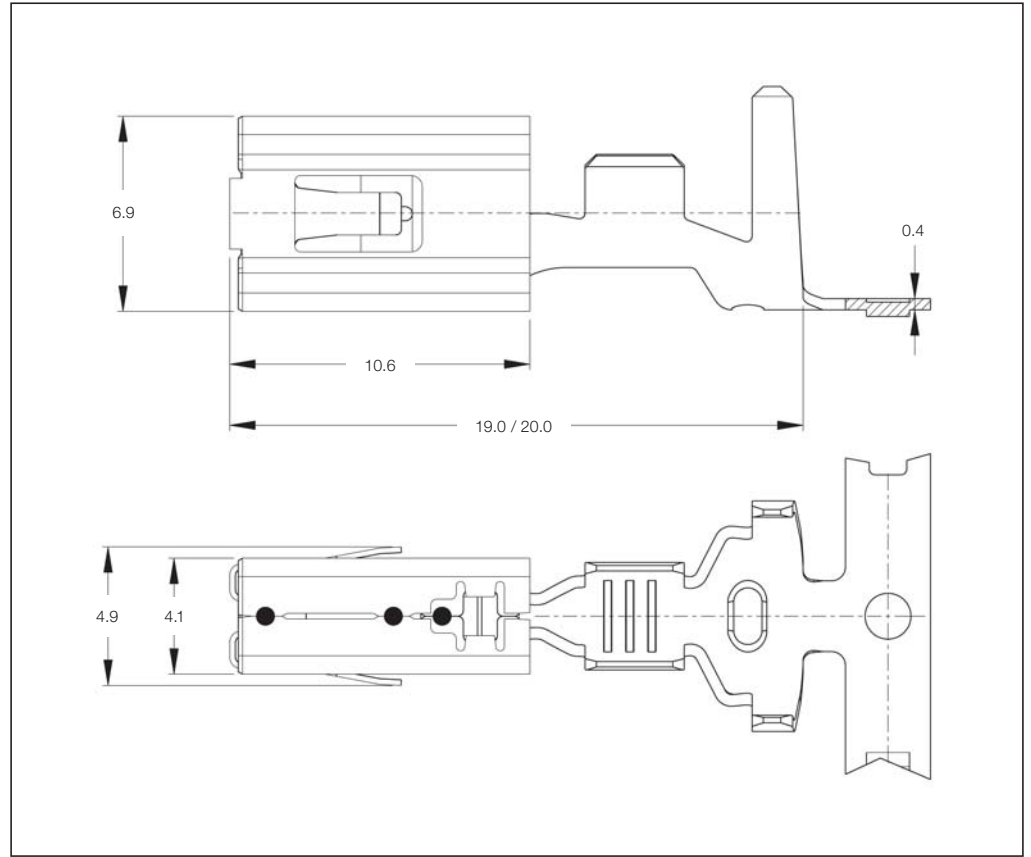
4.8 ±0.1 x 0.8 ±0.03 mm
5.8 ±0.1 x 0.8 ±0.03 mm
6.3 ±0.1 x 0.8 ±0.03 mm

Contact Resistance:

New State ≤ 2 mΩ

Mating Cycles: ●

up to 10 cycles (tin plated)
up to 10 cycles (silver plated)



●) Mating Cycles are depending on various technical influences and must be clarified in each individual case.

Mating Force:

max. 16 N

Unmating Force:

max. 11 N

Extraction Tool:

Part No. **1-1579007-3**

Product Group Drawing:

1241438

Product Specification:

108-18718

Application Specification:

114-18388

Receptacle Contacts Single Wire Sealing System (SWS)

Wire Size Range (mm ²)	Insulation Diameter (mm)		Material and Finish*	Part Numbers				Hand Tool Complete	
	FLK	FLR		Strip Form	Package Quantity	Loose-Piece	Package Quantity		
0.2–0.5	1.3–2.3	1.1–1.6	-1	1241410	1,500	1241411	500	x-1528513-x	2063625-1
0.5–1.0	2.0–2.7	1.4–2.1	-1 / -3	1241412	1,500	1241413	500	x-1528342-x	
>1.0–2.5	2.7–3.7	2.2–3.0	-1 / -3	1241414	1,500	1241415	500	x-1528231-x	2063626-1
>2.5–4.0	4.1–4.5	3.4–3.7	-1 / -3	1241416	1,500	1241417	500	x-1530003-x	
>4.0–6.0	–	4.0–4.5	-4	1241418	1,500	1241419	500	x-1528947-x	2063627-1**

***) Material and Finish:**

xxx-1 = CuNiSi, pre-tin plated
xxx-3 = CuNiSi, selective silver plated
xxx-4 = CuNiSi, tin-silver pre-plated

Note:

***) This hand tool only covers 6.0 mm² wire.

◆) The pre- and suffix for the applicators depends on the applied termination equipment.

Note: All Part Numbers are RoHS and ELV compliant.

Sealed Tab Contacts

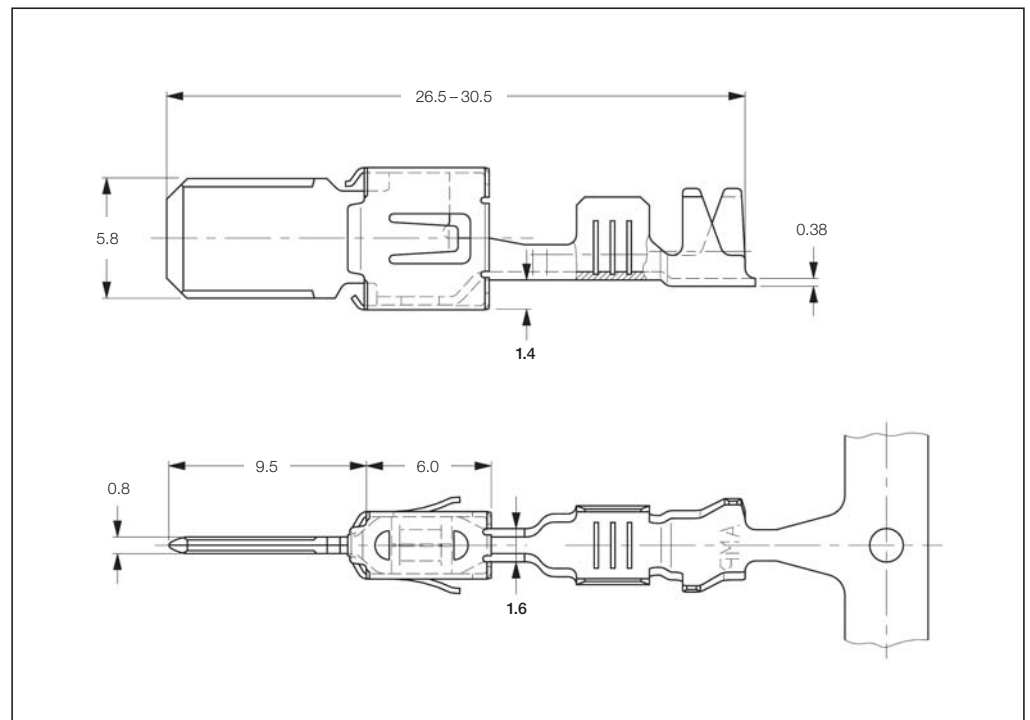
Tabs 5.8 x 0.8 mm with Steel Top Spring, Mates with AMP MCP 6.3/4.8K Contact System

Extraction Tool:
Part No. **1-1579007-6**

Product Group Drawing:
1241895

Product Specification:
108-18064

Application Specification:
114-18052



Tab Contacts Single Wire Sealing System (SWS)

Wire Size Range (mm ²)	Insulation Diameter (mm)		Material and Finish*	Part Numbers				Applicator [♦]	Hand Tool Complete
	FLK	FLR		Strip Form	Package Quantity	Loose-Piece	Package Quantity		
0.5-1.0	-	1.4-2.1	1-xxx-1 / 1-xxx-2 / 2-xxx-1 / 2-xxx-2	962917	1,500	963742	500	x-878565-x	
1.5-2.5	-	2.2-3.0	1-xxx-1 / 1-xxx-2 / 2-xxx-1 / 2-xxx-2	962918	1,500	963743	500	x-878566-x	2063628-1
>2.5-4.0	-	2.7-3.7	1-xxx-1 / 1-xxx-2 / 2-xxx-1 / 2-xxx-2	962919	1,500	963744	500	x-878567-x	

***) Material and Finish:**

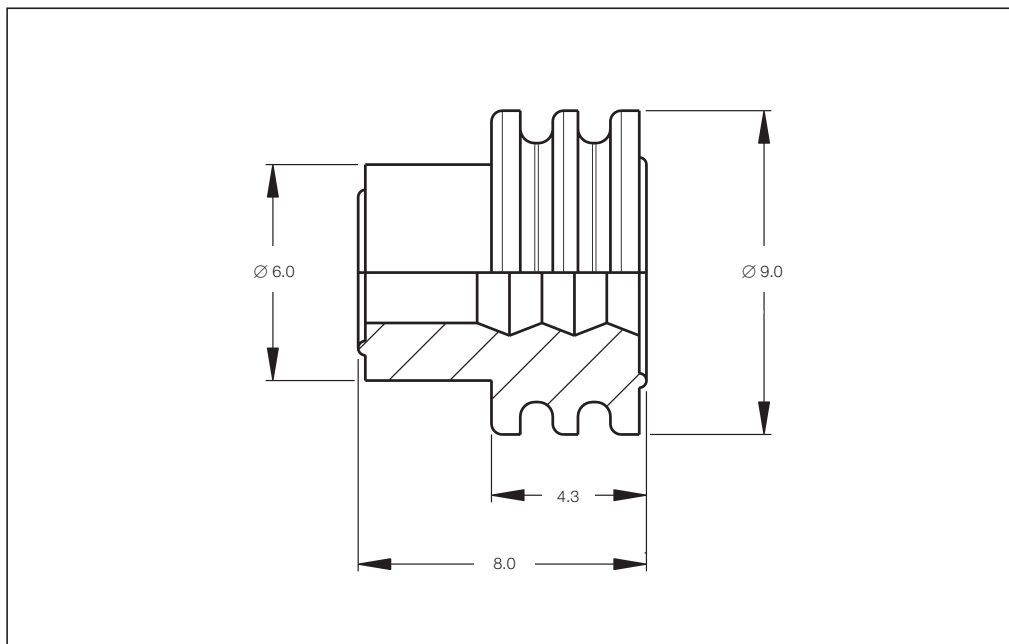
- 1-xxx-1 = CuSn, pre-tin plated
- 1-xxx-2 = CuSn, selective silver plated
- 2-xxx-1 = CuFe, pre-tin plated
- 2-xxx-2 = CuFe, selective silver plated

♦) The pre- and suffix for the applicators depends on the applied termination equipment.

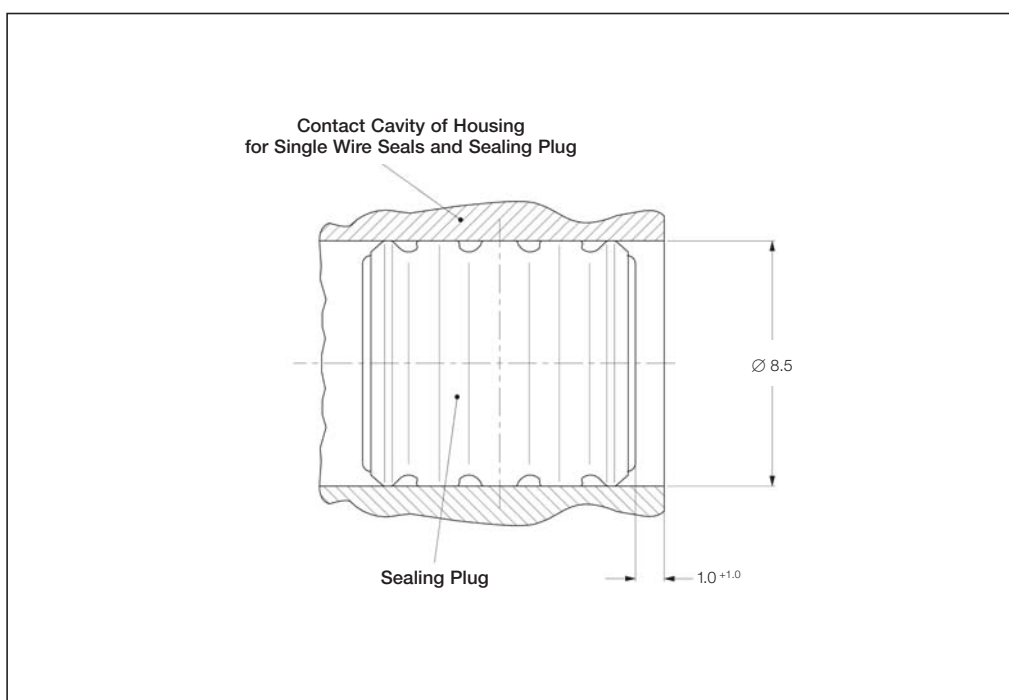
Note: All Part Numbers are RoHS and ELV compliant.

Single Wire Seals and Sealing Plugs

Single Wire Seals and Sealing Plugs for AMP MCP 6.3/4.8K Contact System (Cavity Diameter 8.5 mm)



Insulation Diameter (mm)	Color	Part Number	Package Quantity
2.0-2.7	White	1394511-1	10,000
3.4-3.7	Blue	1394512-1	10,000
4.0-4.5	Green	1719043-1	10,000
Sealing Plug	Transparent	967652-1	20,000



Introduction



The AMP MCP Housings and Connectors Combine the Features of Robust Construction and Highest Functional Requirements



The Heavy Duty Sealed Connector Series offers receptacle and tab housings with capability for waterproofing and resistance to conditions of extreme vibration.

The system is designed for electronic and electrical applications in motor vehicles, where vibrations and mechanical stress, in the long term, can affect the quality on the contact system.

Technical Features

- High reliability status supported for long term use
- High vibration level supported
- Perfect design to avoid quality problems, reduce manufacturing and service cost
- Integrated secondary locking device delivered in pre-locked position
- Wire-to-Wire sealed and unsealed connectors (SWS)
- Wire-to-Board sealed connectors (SWS)
- Polarization, several keyings
- Dust and water protected
- Clear handling, low mating force with a reliable slide locking mechanism
- Mixed configuration with signal and power line connections

Group A: Sealed AMP MCP 2.8 Receptacle Housing

Technical Features

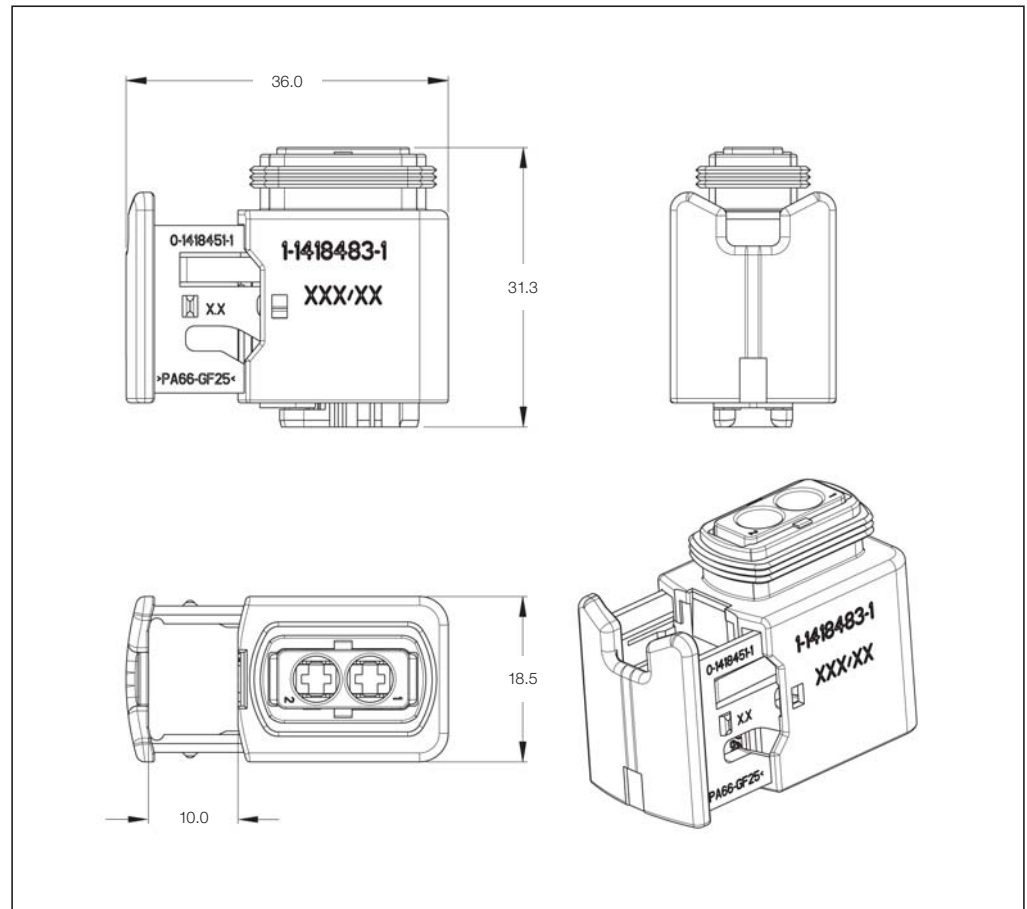
No. of Positions:
2 Positions

Housing Material:
Glass Reinforced PBT

Wire Size Range:
2.5 mm² FLR max.
AWG 12 TXL max.

Product Specification:
108-94020

Application Specification:
114-18756



Sealed Receptacle Housings

No. of Positions	Housing Color	Part Numbers	
		Receptacle Housing	Mating Tab Housing
2	Black / Black	1-1418483-1	1-1703841-1
	Black / Gray	2-1418483-1	2-1703841-1
	Black / Green	3-1418483-1	3-1703841-1
	Black / Blue	4-1418483-1	4-1703841-1

Group A: Sealed 2.8 mm Tab Housing

Technical Features

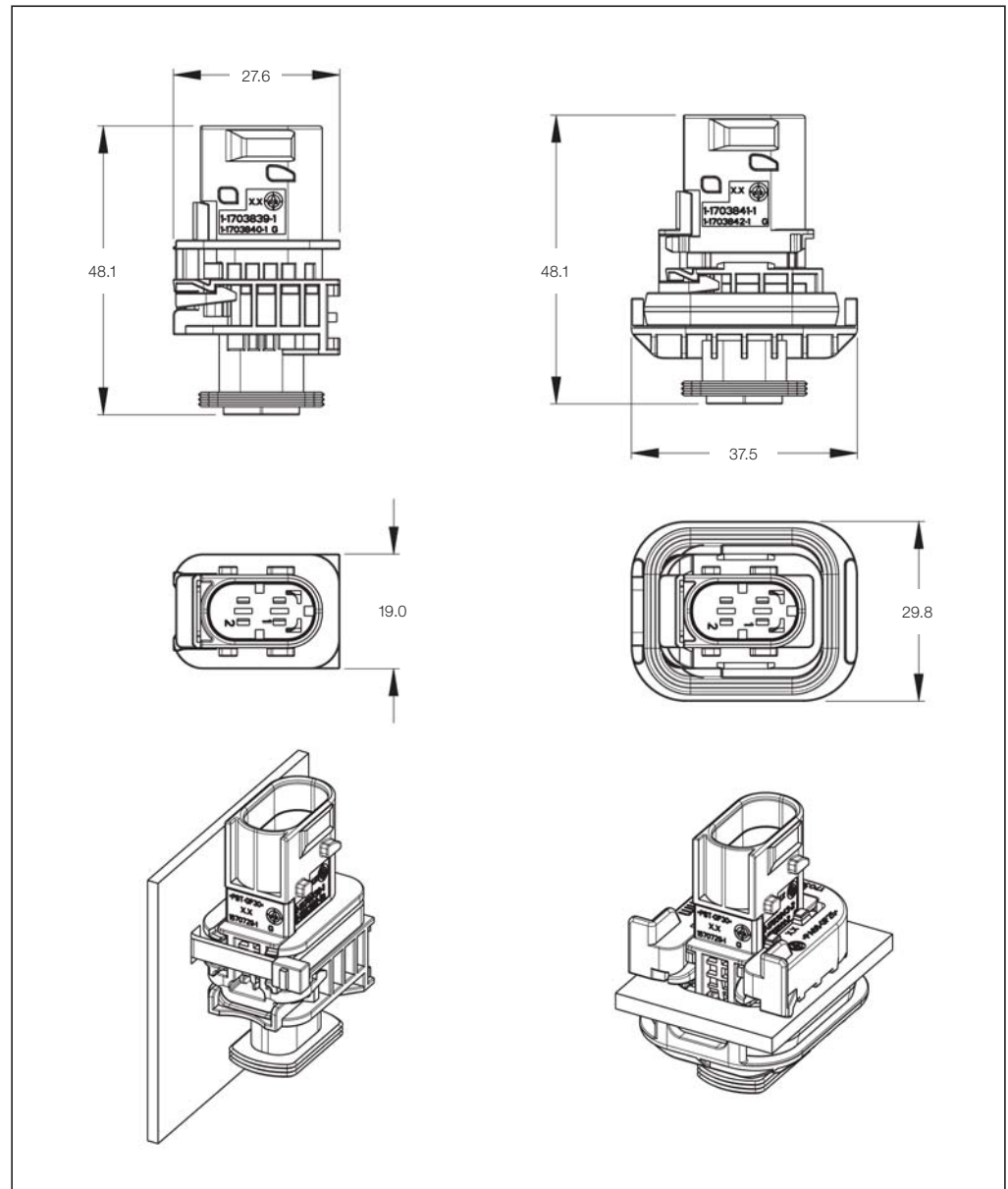
No. of Positions:
2 Positions

Housing Material:
Glass Reinforced PBT

Wire Size Range:
2.5 mm² FLR max.
AWG 12 TXL max.

Product Specification:
108-94020

Application Specification:
114-18756



Sealed 2.8 mm Tab Housings

No. of Positions	Housing Color	Part Numbers		
		Tab Housing with Flange*	Tab Housing without Flange	Mating Receptacle Housing
2	Black	1-1703841-1	*	1-1418483-1
	Gray	2-1703841-1	*	2-1418483-1
	Green	3-1703841-1	*	3-1418483-1
	Blue	4-1703841-1	*	4-1418483-1

*) Available on request.

**) Suitable fixing slide see accessories.

Group A: Sealed AMP MCP 1.5K Receptacle Housing

Technical Features

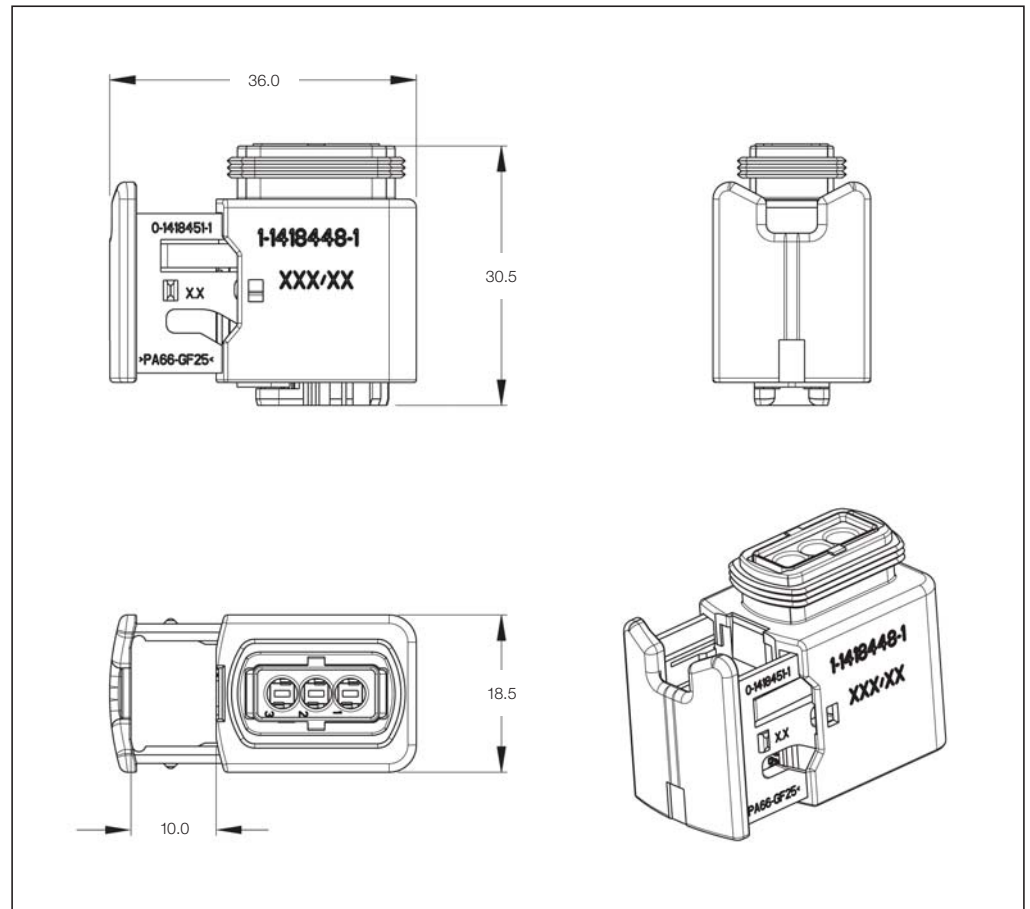
No. of Positions:
2 and 3 Positions

Housing Material:
Glass Reinforced PBT

Wire Size Range:
1.5 mm² FLR max.
AWG 16 TXL max.

Product Specification:
108-94020

Application Specification:
114-18756



Sealed Receptacle Housings

No. of Positions	Housing Color	Part Numbers	
		Receptacle Housing	Mating Tab Housing
2	Black / Black	1-1418448-2	*
	Black / Gray	2-1418448-2	*
	Black / Green	3-1418448-2	*
	Black / Blue	4-1418448-2	*
3	Black / Black	1-1418448-1	1-1670730-1 1-1703843-1
	Black / Gray	2-1418448-1	2-1670730-1 2-1703843-1
	Black / Green	3-1418448-1	3-1670730-1 3-1703843-1
	Black / Blue	4-1418448-1	4-1670730-1 4-1703843-1

*) Available on request.

Group A: Sealed 1.5 mm Tab Housing

Technical Features

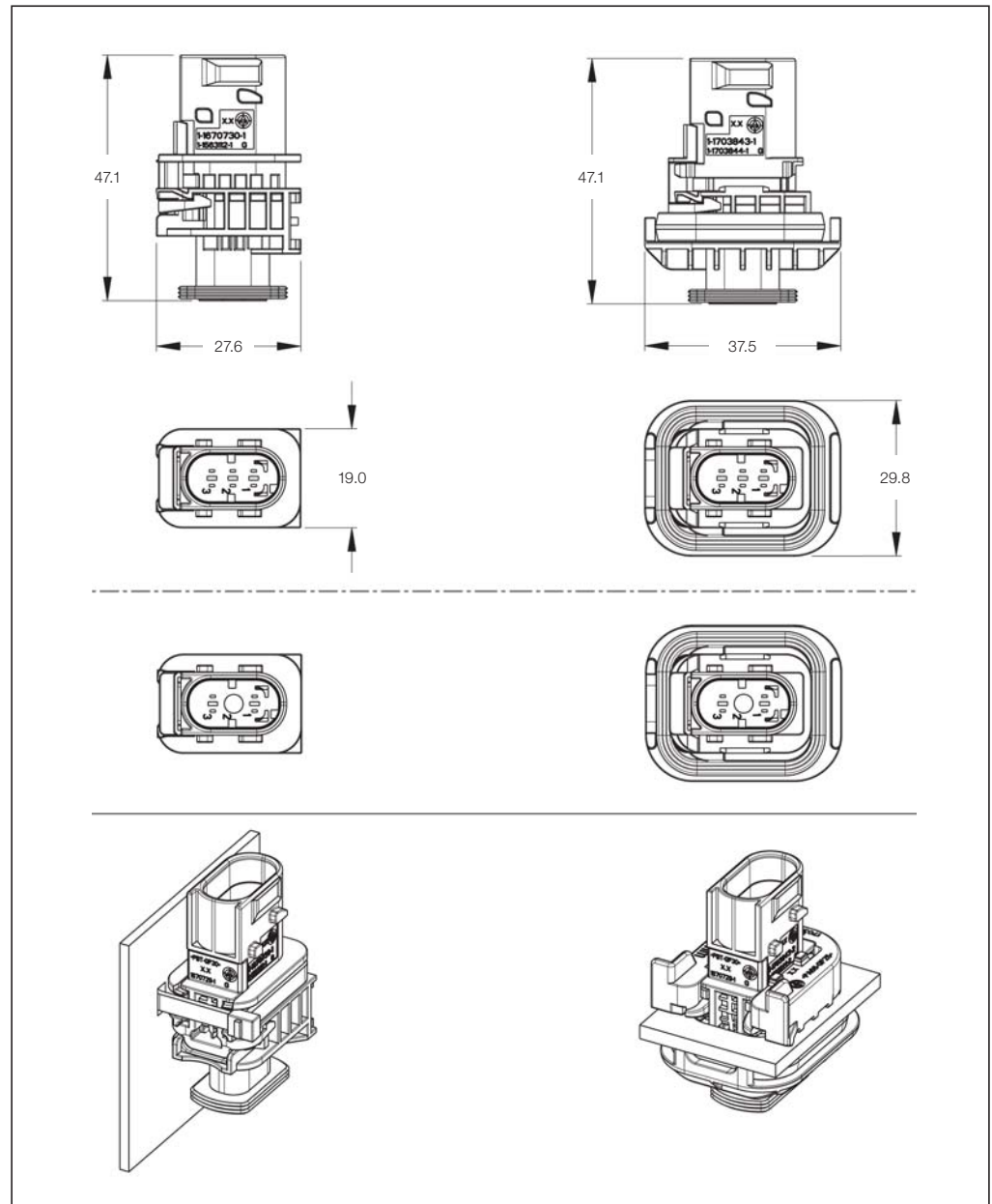
No. of Positions:
2 and 3 Positions

Housing Material:
Glass Reinforced PBT

Wire Size Range:
1.0 mm² FLR max.

Product Specification:
108-94020

Application Specification:
114-18756



Sealed 1.5 mm Tab Housings

No. of Positions	Housing Color	Part Numbers		
		Tab Housing with Flange**	Tab Housing without Flange	Mating Receptacle Housing
2	Black	*	*	1-1418448-2
	Gray	*	*	2-1418448-2
	Green	*	*	3-1418448-2
	Blue	*	*	4-1418448-2
3	Black	1-1703843-1	1-1670730-1	1-1418448-1
	Gray	2-1703843-1	2-1670730-1	2-1418448-1
	Green	3-1703843-1	3-1670730-1	3-1418448-1
	Blue	4-1703843-1	4-1670730-1	4-1418448-1

*) Available on request.

***) Suitable fixing slide see accessories.

Group A: Accessories

Accessories



Description	Color	Part Number
Fixing slide (panel thickness 3.0 mm)	Yellow	1703838-1
Fixing slide (panel thickness 2.5 mm)	Red	1703838-2
Vertical adapter for NW 8.5 mm diameter corrugated tubing	Black	1670365-1
Right-angle adapter for NW 8.5 mm diameter corrugated tubing	Black	1670150-1

Group B: Sealed AMP MCP 2.8 Receptacle Housing

Technical Features

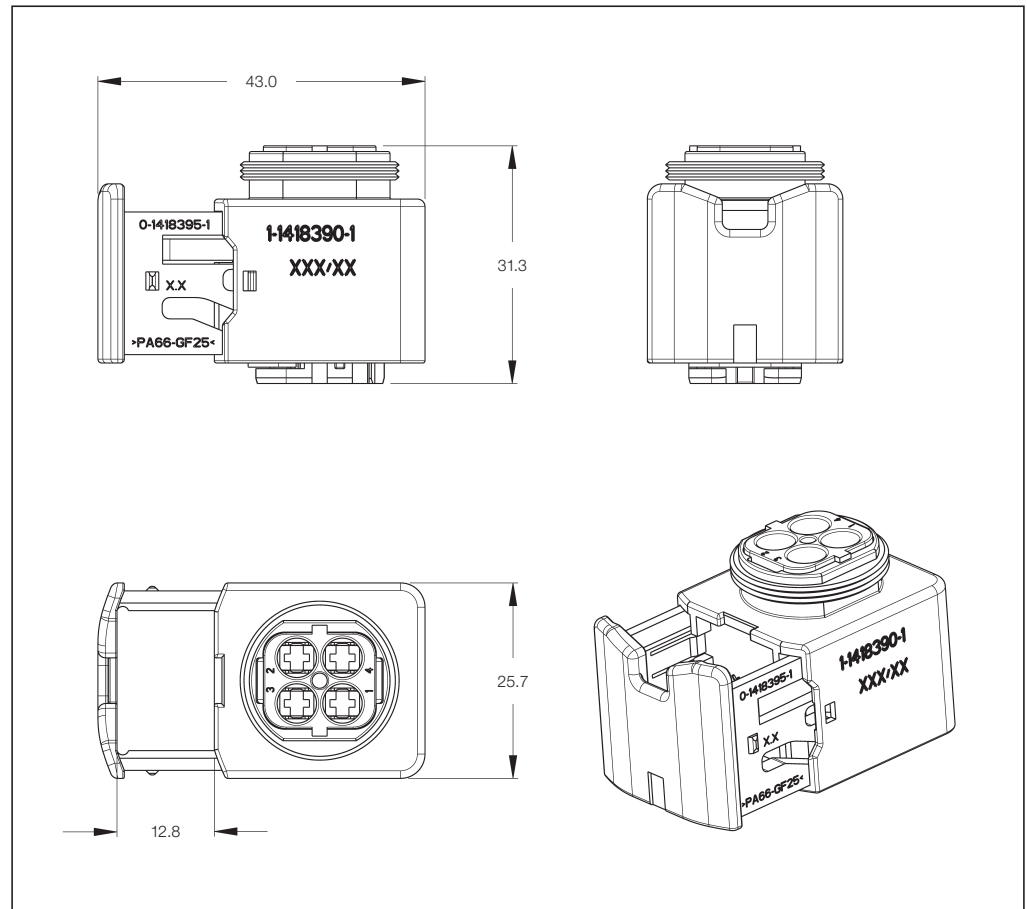
No. of Positions:
4 Positions

Housing Material:
Glass Reinforced PBT

Wire Size Range:
2.5 mm² FLR max.
AWG 12 TXL max.

Product Specification:
108-94020

Application Specification:
114-18756



Sealed Receptacle Housings

No. of Positions	Housing Color	Part Numbers	
		Receptacle Housing	Mating Tab Housing
4	Black / Black	1-1418390-1	1-1703818-1
			1-1703808-1
	Black / Gray	2-1418390-1	2-1703818-1
			2-1703808-1
	Black / Green	3-1418390-1	3-1703818-1
			3-1703808-1
	Black / Blue	4-1418390-1	4-1703818-1
			4-1703808-1

Will also be available as 2 and 3 positions on request.

Group B: Sealed 2.8 mm Tab Housing

Technical Features

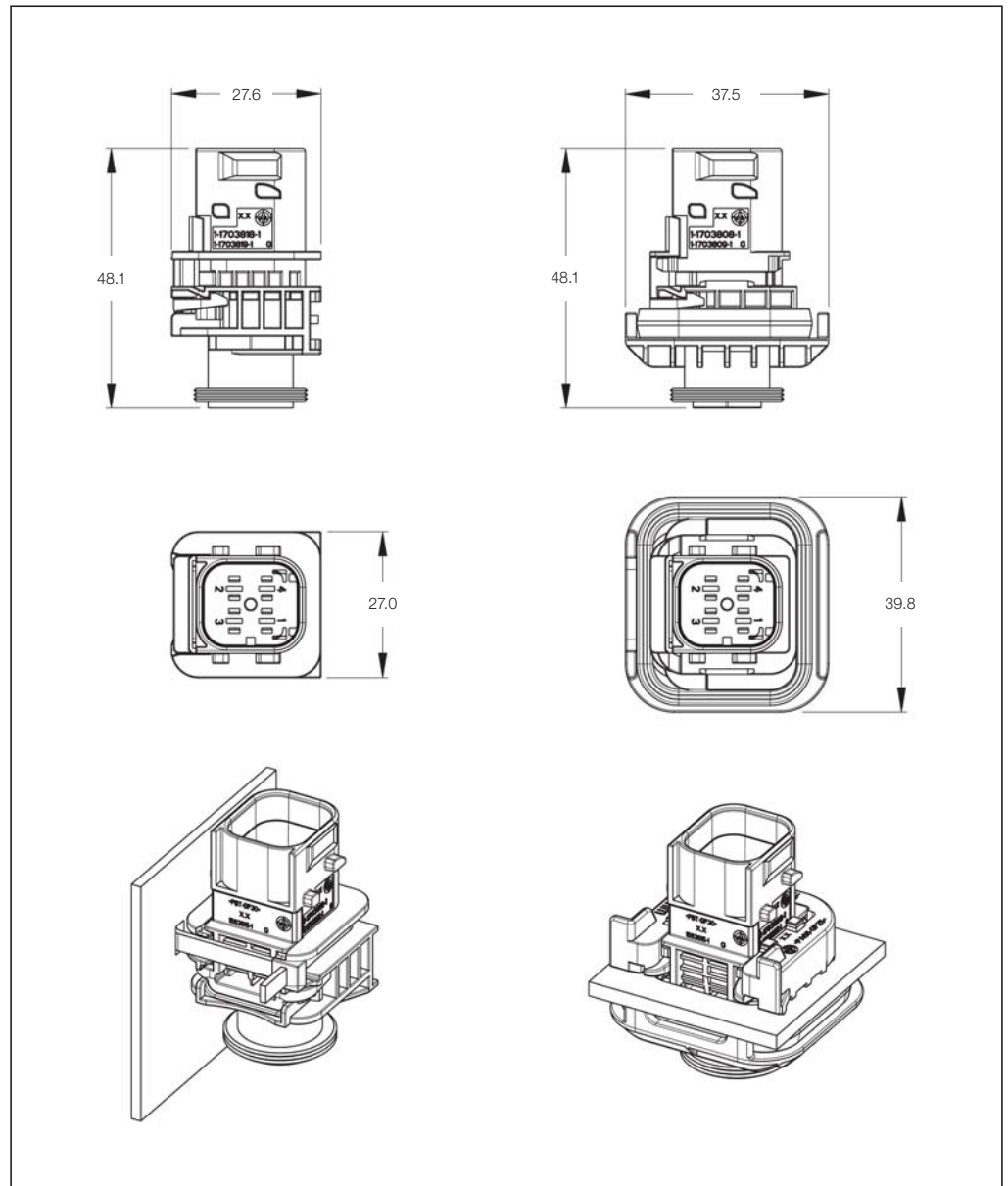
No. of Positions:
4 Positions

Housing Material:
Glass Reinforced PBT

Wire Size Range:
2.5 mm² FLR max.
AWG 12 TXL max.

Product Specification:
108-94020

Application Specification:
114-18756



Sealed 2.8 mm Tab Housings

No. of Positions	Housing Color	Part Numbers		
		Tab Housing with Flange*	Tab Housing without Flange	Mating Receptacle Housing
4	Black	1-1703808-1	1-1703818-1	1-1418390-1
	Gray	2-1703808-1	2-1703818-1	2-1418390-1
	Green	3-1703808-1	3-1703818-1	3-1418390-1
	Blue	4-1703808-1	4-1703818-1	4-1418390-1

Will also be available as 2 and 3 positions on request.

*) Suitable fixing slide see accessories.

Group B: Sealed AMP MCP 1.5K Receptacle Housing

Technical Features

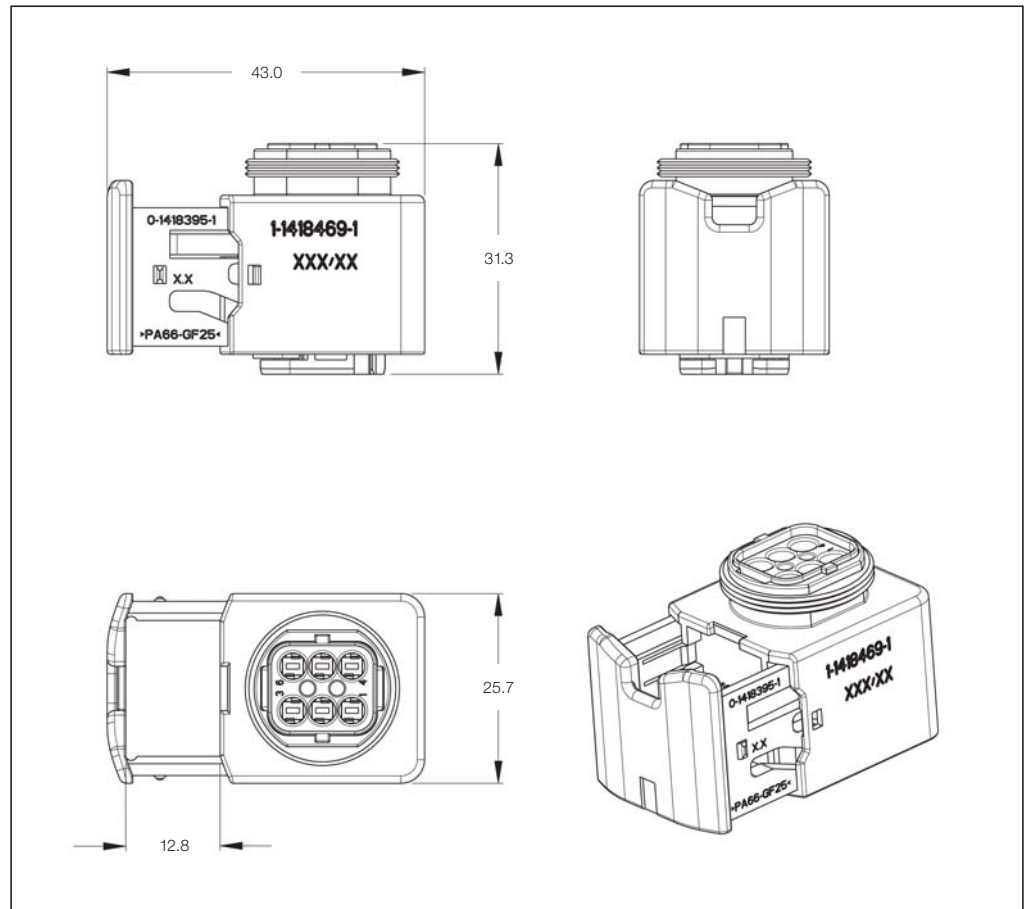
No. of Positions:
6 Positions

Housing Material:
Glass Reinforced PBT

Wire Size Range:
1.5 mm² FLR max.
AWG 16 TXL max.

Product Specification:
108-94020

Application Specification:
114-18756



Sealed Receptacle Housings

No. of Positions	Housing Color	Part Numbers	
		Receptacle Housing	Mating Tab Housing
6	Black / Black	1-1418469-1	1-1703773-1
			1-1703820-1
	Black / Gray	2-1418469-1	2-1703773-1
			2-1703820-1
	Black / Green	3-1418469-1	3-1703773-1
			3-1703820-1
	Black / Blue	4-1418469-1	4-1703773-1
			1-1703820-1

Other variants are available on request.

Group B: Sealed 1.5 mm Tab Housing

Technical Features

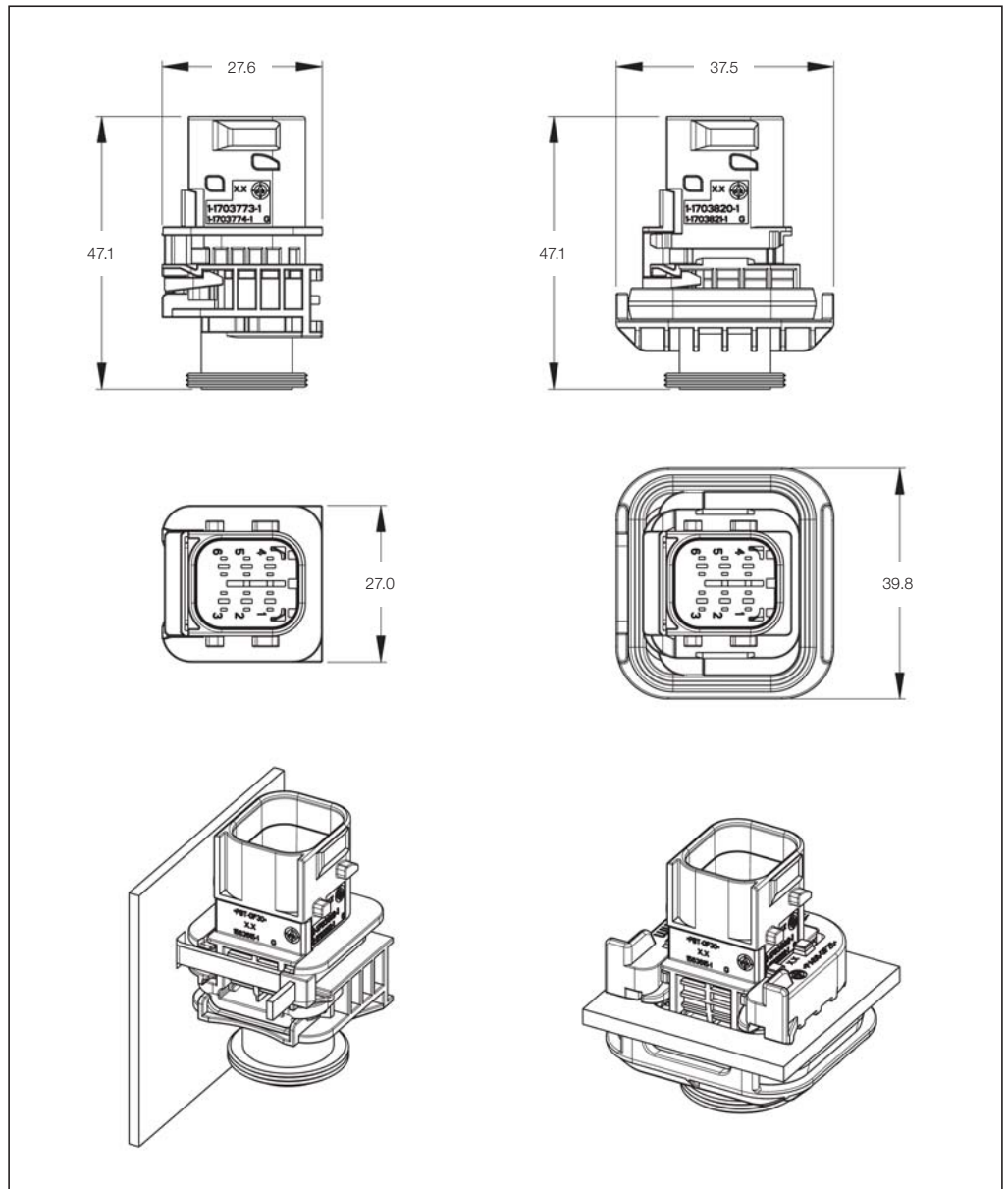
No. of Positions:
6 Positions

Housing Material:
Glass Reinforced PBT

Wire Size Range:
1.0 mm² FLR max.

Product Specification:
108-94020

Application Specification:
114-18756



Sealed 1.5 mm Tab Housings

No. of Positions	Housing Color	Part Numbers		
		Tab Housing with Flange*	Tab Housing without Flange	Mating Receptacle Housing
6	Black	1-1703820-1	1-1703773-1	1-1418469-1
	Gray	2-1703820-1	2-1703773-1	2-1418469-1
	Green	3-1703820-1	3-1703773-1	3-1418469-1
	Blue	4-1703820-1	4-1703773-1	4-1418469-1

*) Suitable fixing slide see accessories.

Group B: Accessories

Accessories



Description	Color	Part Number
Fixing slide (panel thickness 3.0 mm)	Yellow	1703810-1
Fixing slide (panel thickness 2.5 mm)	Red	1703810-2
Right-angle adapter with universal clamp	Black	965576-1
Vertical adapter with universal clamp	Black	965784-1
Right-angle adapter for NW 7.5 mm diameter corrugated tubing	Black	185793-1
Right-angle adapter for NW 8.5 mm diameter corrugated tubing	Black	965577-1
Right-angle adapter for NW 10 mm diameter corrugated tubing	Black	965783-1
Vertical adapter for NW 7.5 mm diameter corrugated tubing	Black	185792-1
Vertical adapter for NW 8.5 mm diameter corrugated tubing	Black	965785-1
Vertical adapter for NW 10 mm diameter corrugated tubing	Black	965786-1
Right-angle adapter 4/7 position for hose	Black	1534789-1
Vertical adapter 4/7 position for hose	Black	1534791-1
Vertical adapter 4/7 position for jacketed cable 5.2–6.5 mm	Black	1418916-1
Vertical adapter 4/7 position for jacketed cable 6.0–9.5 mm	Black	1418917-1
Right-angle adapter 4/7 position for jacketed cable 5.2–6.5 mm	Black	1418918-1
Right-angle adapter 4/7 position for jacketed cable 6.0–9.5 mm	Black	1418919-1

Group C: Sealed AMP MCP 2.8 Receptacle Housing

Technical Features

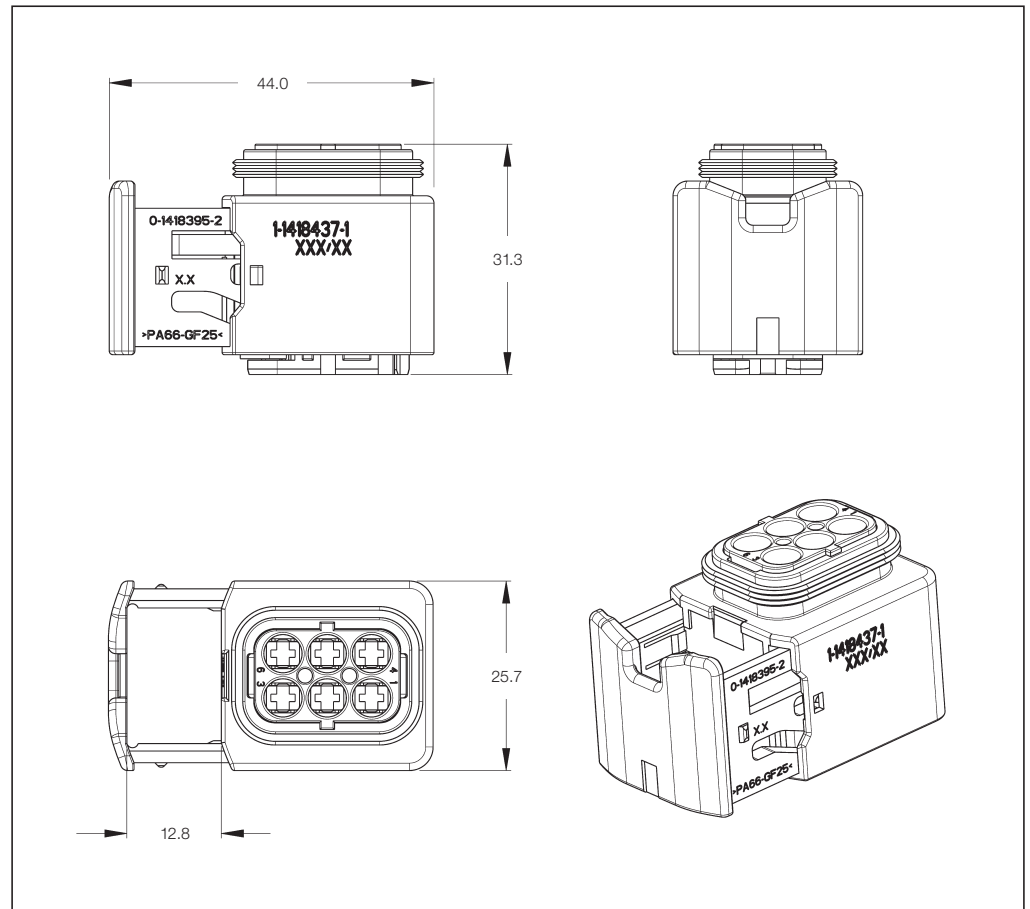
No. of Positions:
6 Positions

Housing Material:
Glass Reinforced PBT

Wire Size Range:
2.5 mm² FLR max.
AWG 12 TXL max.

Product Specification:
108-94020

Application Specification:
114-18756



Sealed Receptacle Housings

No. of Positions	Housing Color	Part Numbers	
		Receptacle Housing	Mating Tab Housing
6	Black / Black	1-1418437-1	*
	Black / Gray	2-1418437-1	*
	Black / Green	3-1418437-1	*
	Black / Blue	4-1418437-1	*

Other variants are available on request.

*) Available on request.

Group C: Sealed AMP MCP 1.5K/2.8 Receptacle Housing

Technical Features

No. of Positions:
7 Positions

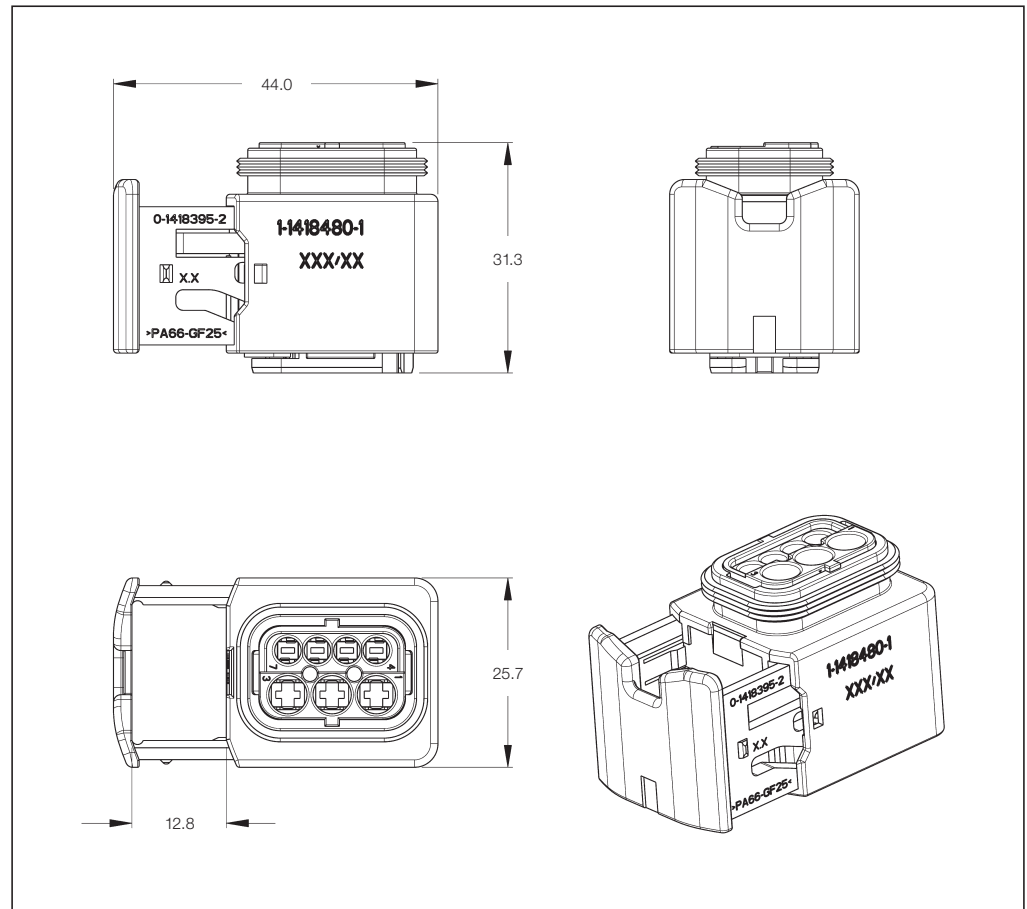
Housing Material:
Glass Reinforced PBT

Wire Size Range:

- 1.5 mm² FLR max.
AWG 16 TXL max.
- 2.5 mm² FLR max.
AWG 12 TXL max.

Product Specification:
108-94020

Application Specification:
114-18756



Sealed Mixed Receptacle Housings

No. of Positions	Housing Color	Part Numbers	
		Receptacle Housing	Mating Tab Housing
7	Black / Black	1-1418480-1	1-1703648-1
			1-1670214-1
	Black / Gray	2-1418480-1	2-1703648-1
			2-1670214-1
	Black / Green	3-1418480-1	3-1703648-1
			3-1670214-1
	Black / Blue	4-1418480-1	4-1703648-1
			4-1670214-1

Other variants are available on request.

Group C: Sealed 1.5 mm/2.8 mm Tab Housing

Technical Features

No. of Positions:

7 Positions

Housing Material:

Glass Reinforced PBT

Wire Size Range:

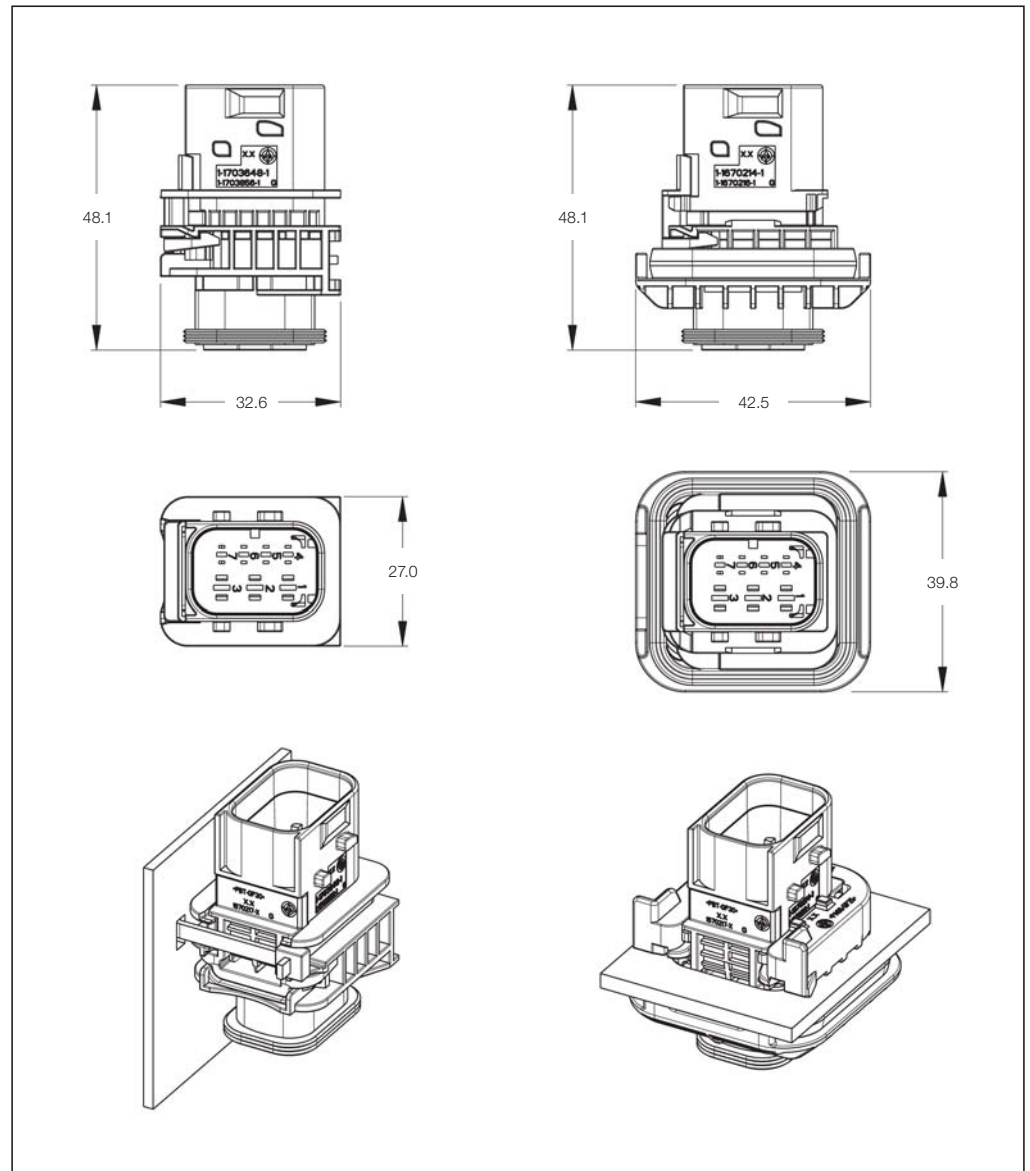
- 1.0 mm² FLR max.
- 2.5 mm² FLR max.
AWG 12 TXL max.

Product Specification:

108-94020

Application Specification:

114-18756



Sealed Mixed Tab Housings

No. of Positions	Housing Color	Part Numbers		
		Tab Housing with Flange*	Tab Housing without Flange	Mating Receptacle Housing
7	Black	1-1670214-1	1-1703648-1	1-1418480-1
	Gray	2-1670214-1	2-1703648-1	2-1418480-1
	Green	3-1670214-1	3-1703648-1	3-1418480-1
	Blue	4-1670214-1	4-1703648-1	4-1418480-1

*) Suitable fixing slide see accessories.

Group C: Sealed AMP MCP 1.5K Receptacle Housing

Technical Features

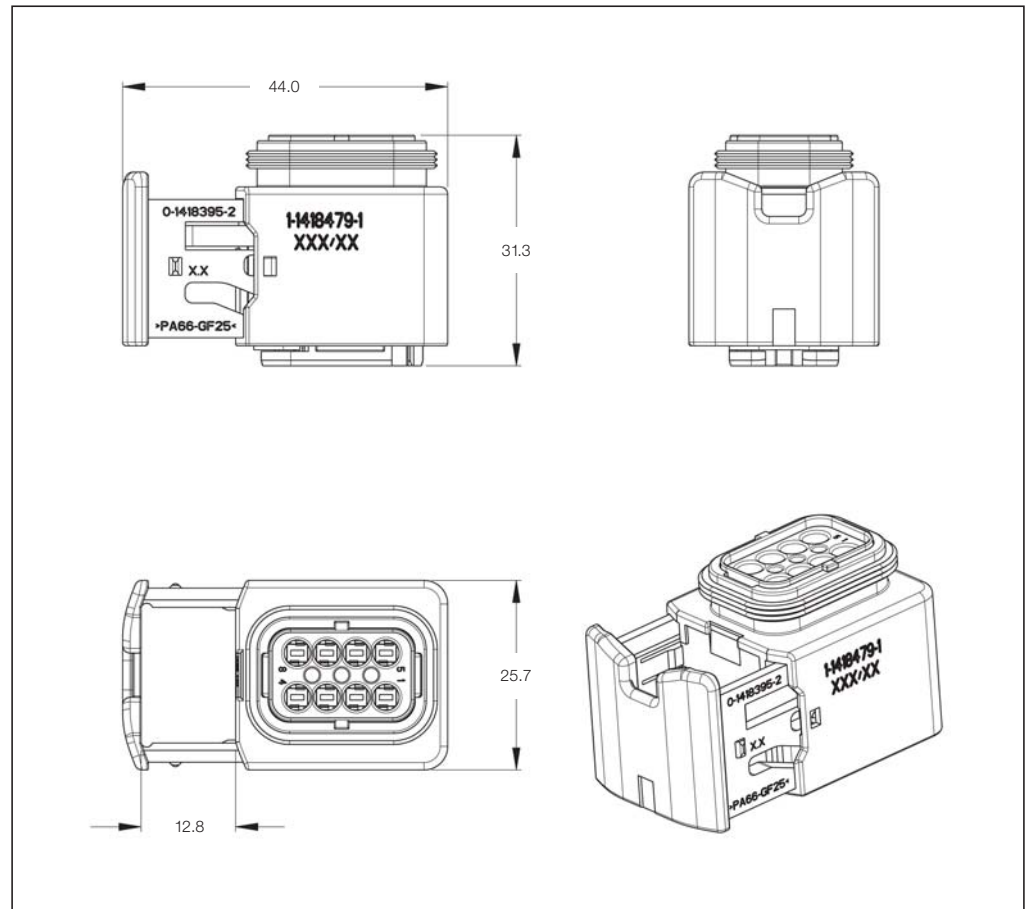
No. of Positions:
8 Positions

Housing Material:
Glass Reinforced PBT

Wire Size Range:
1.5 mm² FLR max.
AWG 16 TXL max.

Product Specification:
108-94020

Application Specification:
114-18756



Sealed Receptacle Housings

No. of Positions	Housing Color	Part Numbers	
		Receptacle Housing	Mating Tab Housing
8	Black / Black	1-1418479-1	1-1564416-1
			1-1564512-1
	Black / Gray	2-1418479-1	2-1564416-1
			2-1564512-1
	Black / Green	3-1418479-1	3-1564416-1
			3-1564512-1
	Black / Blue	4-1418479-1	4-1564416-1
			4-1564512-1

Other variants are available on request.

Group C: Sealed 1.5 mm Tab Housing

Technical Features

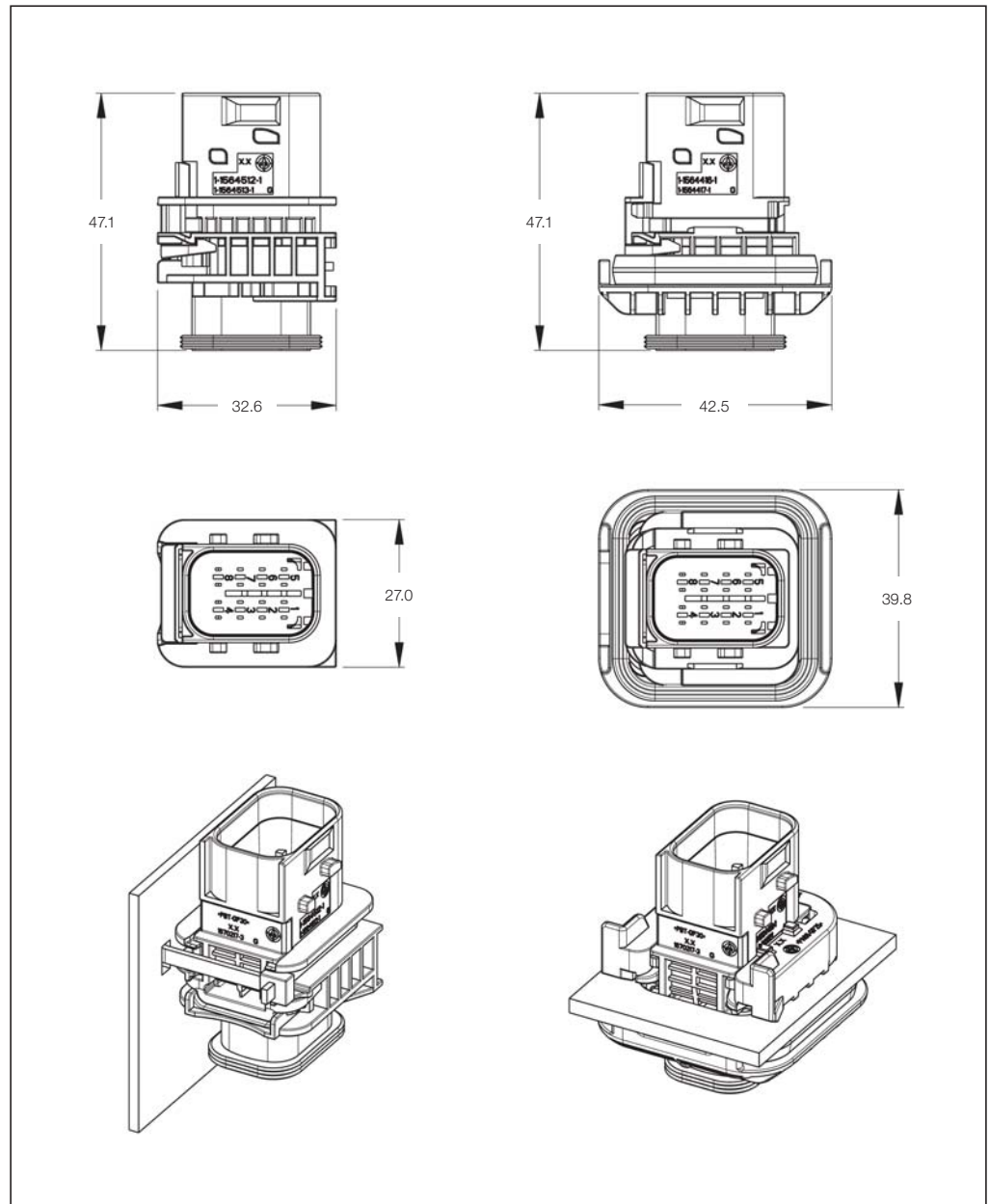
No. of Positions:
8 Positions

Housing Material:
Glass Reinforced PBT

Wire Size Range:
1.0 mm² FLR max.

Product Specification:
108-94020

Application Specification:
114-18756



Sealed 1.5 mm Tab Housings

No. of Positions	Housing Color	Part Numbers		
		Tab Housing with Flange*	Tab Housing without Flange	Mating Receptacle Housing
8	Black	1-1564416-1	1-1564512-1	1-1418479-1
	Gray	2-1564416-1	2-1564512-1	2-1418479-1
	Green	3-1564416-1	3-1564512-1	3-1418479-1
	Blue	4-1564416-1	4-1564512-1	4-1418479-1

*) Suitable fixing slide see accessories.

Group C: Sealed AMP MCP 6.3 Receptacle Housing

Technical Features

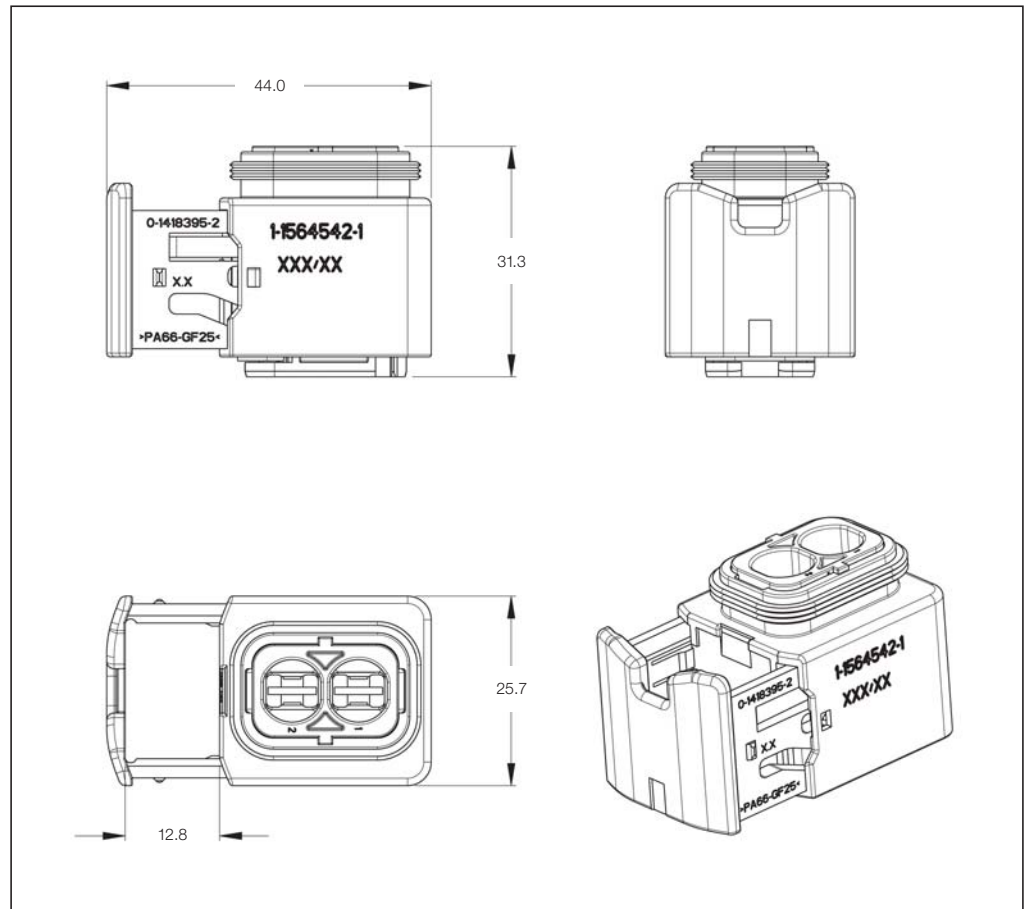
No. of Positions:
2 Positions

Housing Material:
Glass Reinforced PBT

Wire Size Range:
6.0 mm² FLR max.

Product Specification:
108-94020

Application Specification:
114-18756



Sealed Receptacle Housings

No. of Positions	Housing Color	Part Numbers	
		Receptacle Housing	Mating Tab Housing
2	Black / Black	1-1564542-1	1-1564544-1
			1-1564546-1
	Black / Gray	2-1564542-1	2-1564544-1
			2-1564546-1
	Black / Green	3-1564542-1	3-1564544-1
			3-1564546-1
	Black / Blue	4-1564542-1	4-1564544-1
			4-1564546-1

Group C: Sealed 6.3 mm Tab Housing

Technical Features

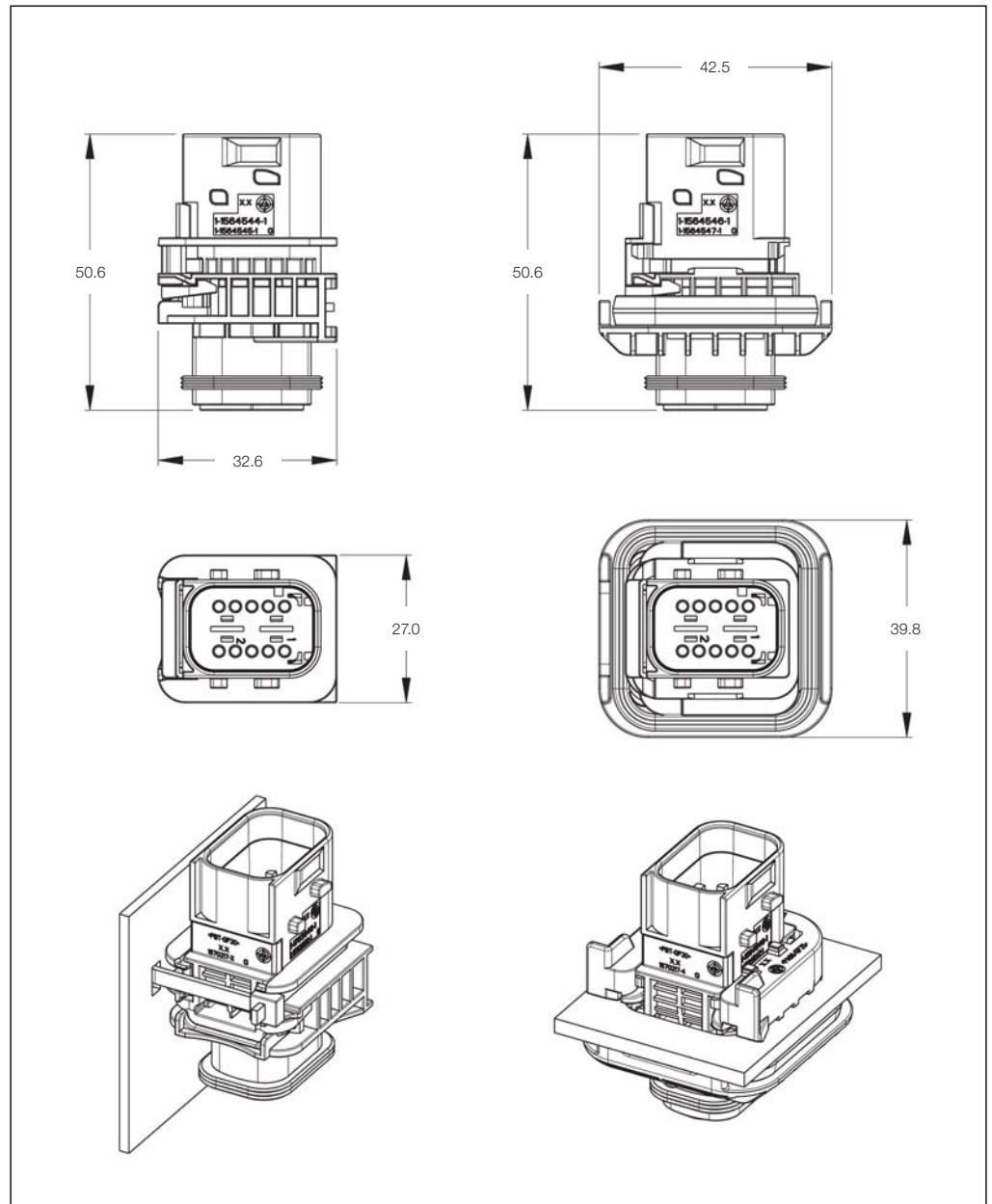
No. of Positions:
2 Positions

Housing Material:
Glass Reinforced PBT

Wire Size Range:
6.0 mm² FLR max.

Product Specification:
108-94020

Application Specification:
114-18756



Sealed 6.3 mm Tab Housings

No. of Positions	Housing Color	Part Numbers		
		Tab Housing with Flange*	Tab Housing without Flange	Mating Receptacle Housing
2	Black / Black	1-1564546-1	1-1564544-1	1-1564542-1
	Black / Gray	2-1564546-1	2-1564544-1	2-1564542-1
	Black / Green	3-1564546-1	3-1564544-1	3-1564542-1
	Black / Blue	4-1564546-1	4-1564544-1	4-1564542-1

*) Suitable fixing slide see accessories.

Group C: Accessories

Accessories



Description	Color	Part Number
Fixing slide (panel thickness 3.0 mm)	Yellow	1670720-1
Fixing slide (panel thickness 2.5 mm)	Red	1670720-2
Vertical adapter for NW 13 mm diameter corrugated tubing	Black	1670364-1
Right-angle adapter for NW 13 mm diameter corrugated tubing	Black	1670057-1

Group D: Sealed AMP MCP 1.5K Receptacle Housing

Technical Features

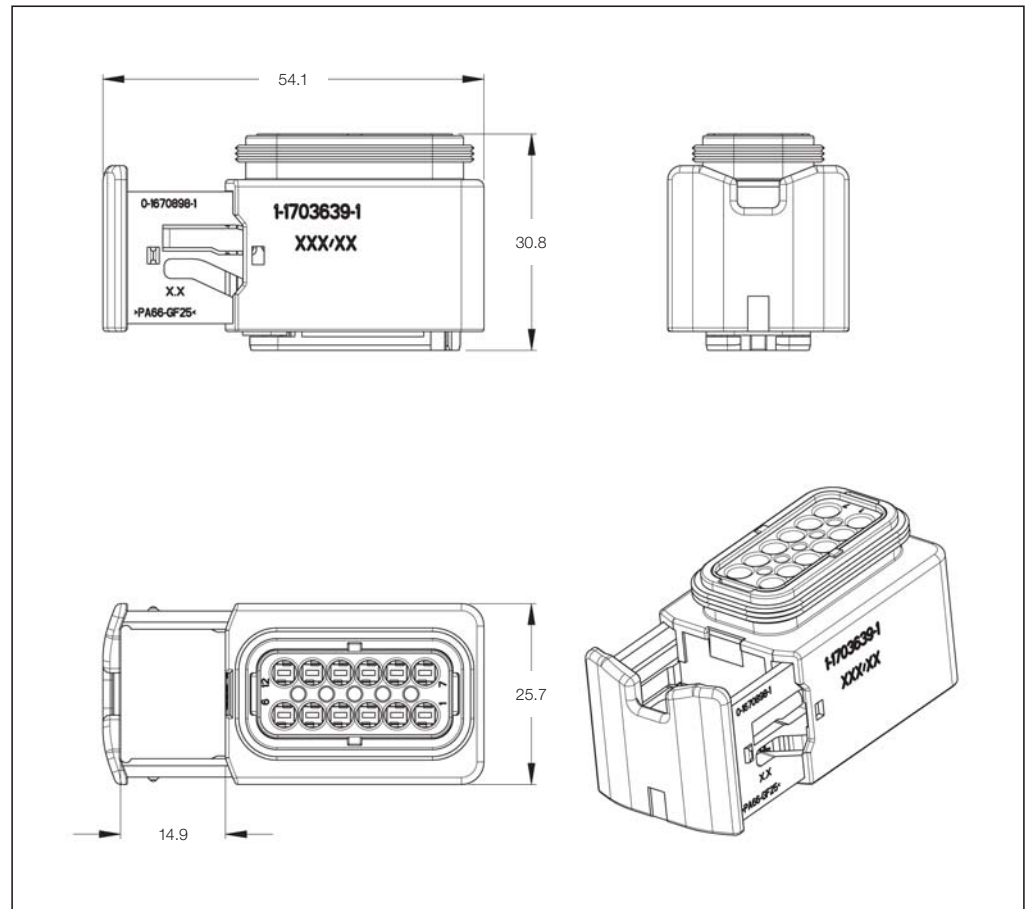
No. of Positions:
12 Positions

Housing Material:
Glass Reinforced PBT

Wire Size Range:
1.5 mm² FLR max.
AWG 16 TXL max.

Product Specification:
108-94020

Application Specification:
114-18756



Sealed Receptacle Housings

No. of Positions	Housing Color	Part Numbers	
		Receptacle Housing	Mating Tab Housing
12	Black / Black	1-1703639-1	1-1564414-1
			1-1564520-1
	Black / Gray	2-1703639-1	2-1564414-1
			2-1564520-1
	Black / Green	3-1703639-1	3-1564414-1
			3-1564520-1
	Black / Blue	4-1703639-1	4-1564414-1
			4-1564520-1

Other variants are available on request.

Group D: Sealed 1.5 mm Tab Housing

Technical Features

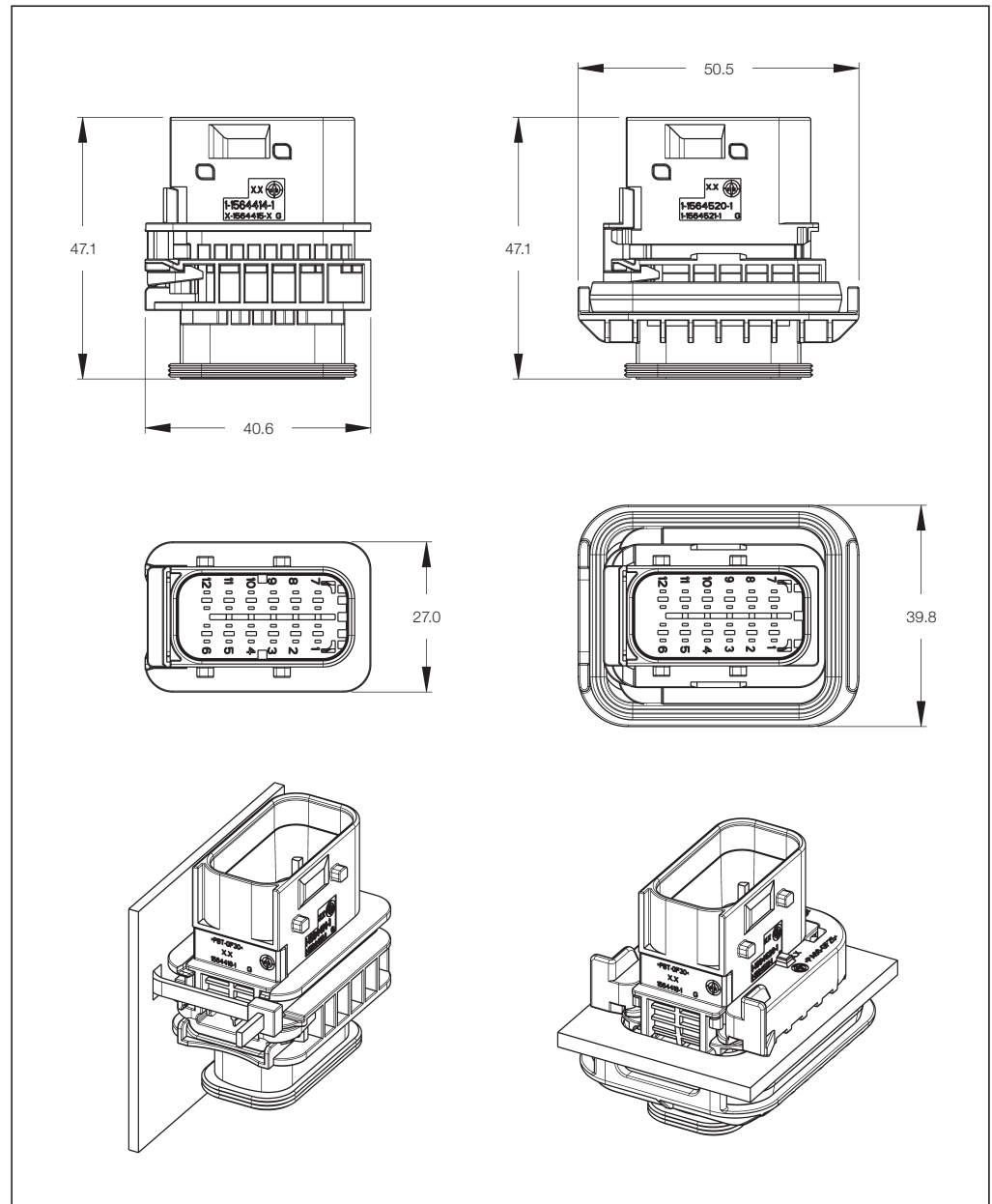
No. of Positions:
12 Positions

Housing Material:
Glass Reinforced PBT

Wire Size Range:
1.0 mm² FLR max.

Product Specification:
108-94020

Application Specification:
114-18756



Sealed 1.5 mm Tab Housings

No. of Positions	Housing Color	Part Numbers		
		Tab Housing with Flange*	Tab Housing without Flange	Mating Receptacle Housing
12	Black	1-1564520-1	1-1564414-1	1-1703639-1
	Gray	2-1564520-1	2-1564414-1	2-1703639-1
	Green	3-1564520-1	3-1564414-1	3-1703639-1
	Blue	4-1564520-1	4-1564414-1	4-1703639-1

*) Suitable fixing slide see accessories.

Group D: Sealed AMP MCP 2.8 Receptacle Housing

Technical Features

No. of Positions:

8 Positions

Housing Material:

Glass Reinforced PBT

Wire Size Range:

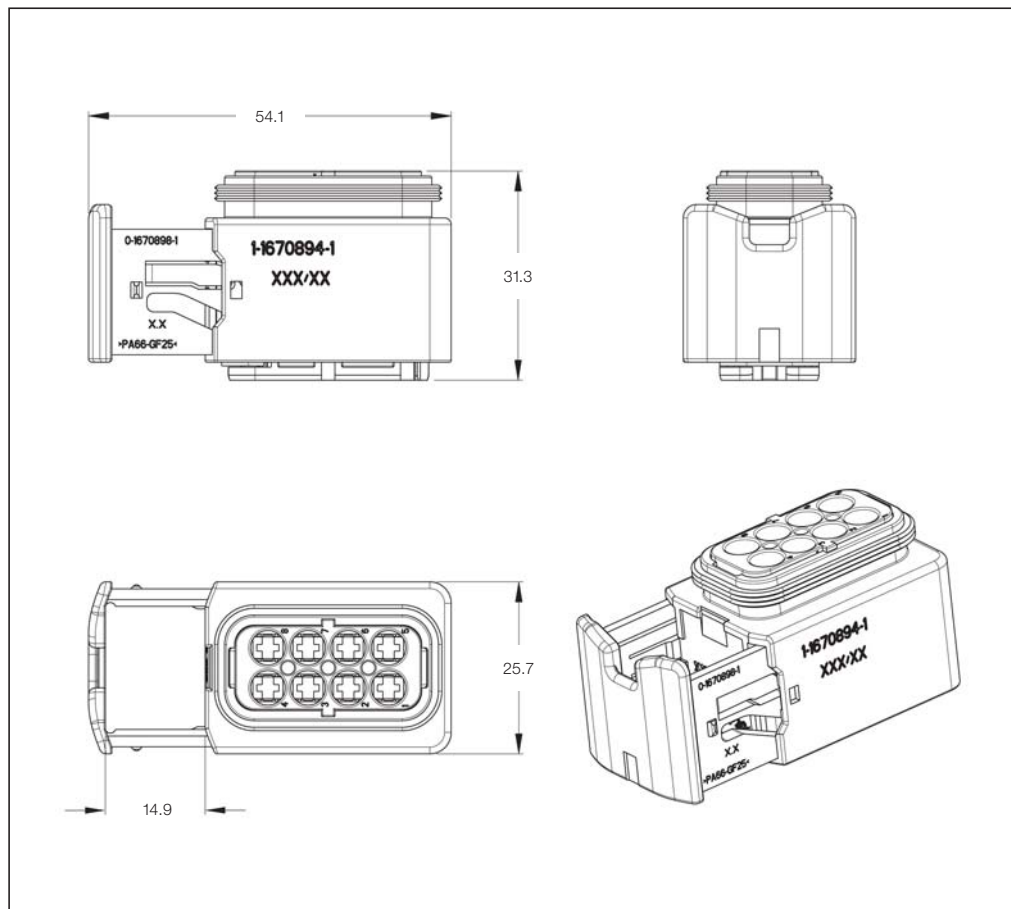
2.5 mm² FLR max.
AWG 12 TXL max.

Product Specification:

108-94020

Application Specification:

114-18756



Sealed Receptacle Housings

No. of Positions	Housing Color	Part Numbers	
		Receptacle Housing	Mating Tab Housing
8	Black / Black	1-1670894-1	1-1564522-1
	Black / Gray	2-1670894-1	2-1564522-1
	Black / Green	3-1670894-1	3-1564522-1
	Black / Blue	4-1670894-1	4-1564522-1

Other variants are available on request.

Group D: Sealed 2.8 mm Tab Housing

Technical Features

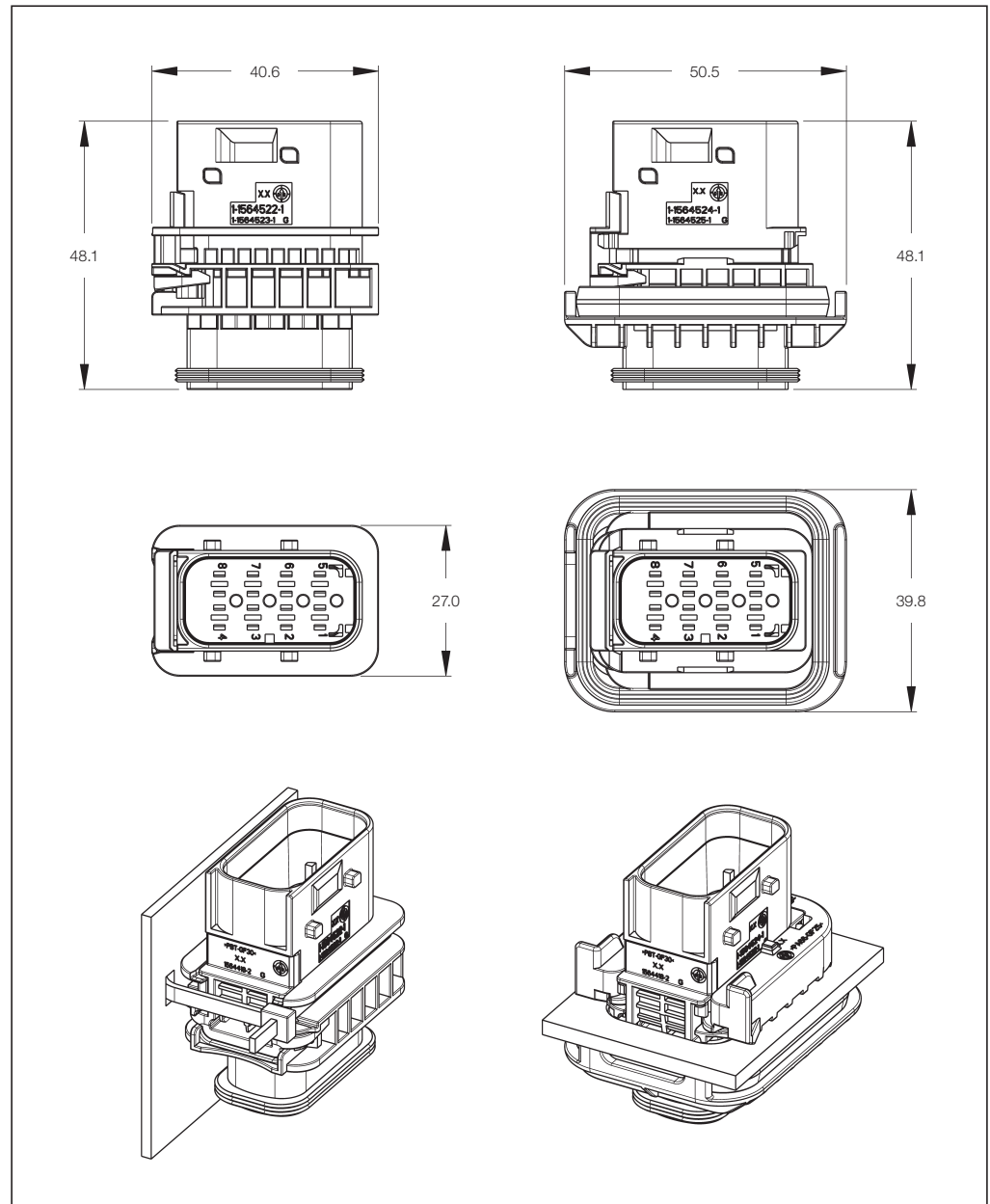
No. of Positions:
8 Positions

Housing Material:
Glass Reinforced PBT

Wire Size Range:
2.5 mm² FLR max.
AWG 12 TXL max.

Product Specification:
108-94020

Application Specification:
114-18756



Sealed 2.8 mm Tab Housings

No. of Positions	Housing Color	Part Numbers		
		Tab Housing with Flange**	Tab Housing without Flange	Mating Receptacle Housing
8	Black	*	1-1564522-1	1-1670894-1
	Gray	*	2-1564522-1	2-1670894-1
	Green	*	3-1564522-1	3-1670894-1
	Blue	*	4-1564522-1	4-1670894-1

*) Available on request.

**) Suitable fixing slide see accessories.

Group D: Sealed AMP MCP 1.5/2.8 Receptacle Housing

Technical Features

No. of Positions:
10 Positions

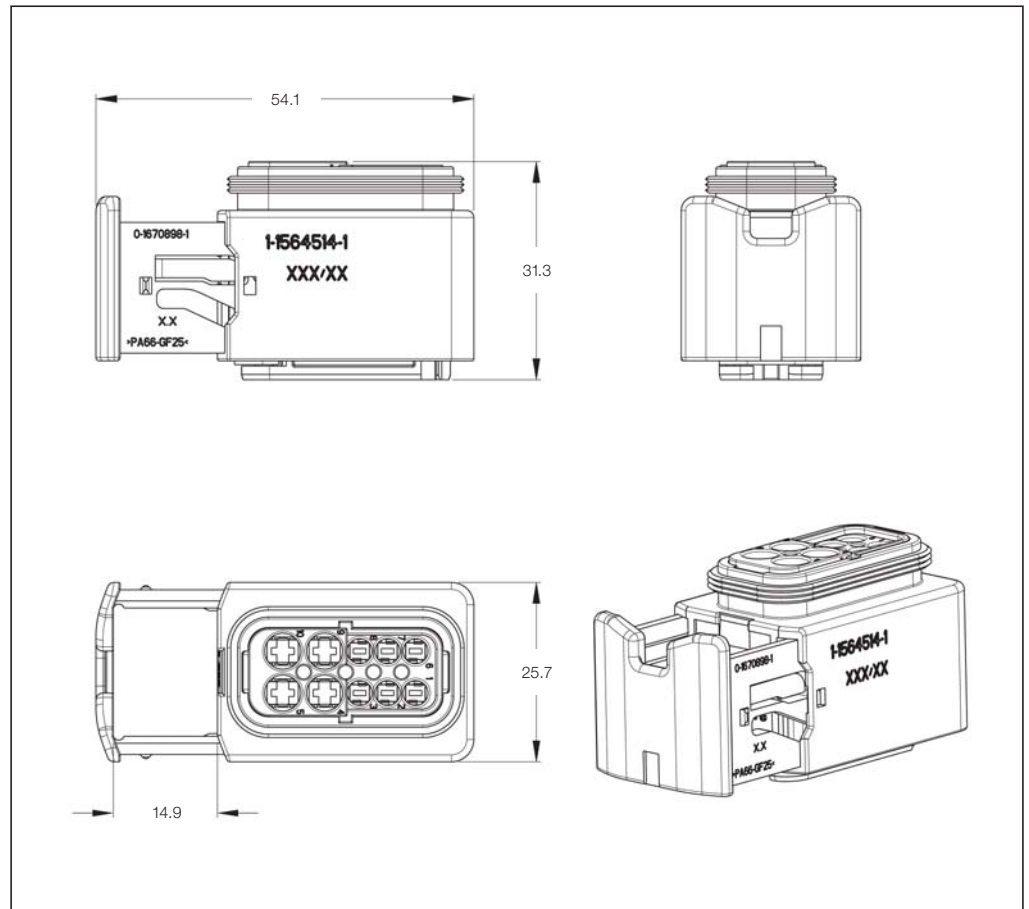
Housing Material:
Glass Reinforced PBT

Wire Size Range:

- 1.5 mm² FLR max.
AWG 16 TXL max.
- 2.5 mm² FLR max.
AWG 12 TXL max.

Product Specification:
108-94020

Application Specification:
114-18756



Sealed Mixed Receptacle Housings

No. of Positions	Housing Color	Part Numbers	
		Receptacle Housing	Mating Tab Housing
10	Black / Black	1-1564514-1	1-1564518-1
			1-1564516-1
	Black / Gray	2-1564514-1	2-1564518-1
			2-1564516-1
	Black / Green	3-1564514-1	3-1564518-1
			3-1564516-1
	Black / Blue	4-1564514-1	4-1564518-1
			4-1564516-1

Other variants are available on request.

Group D: Sealed 1.5 mm/2.8 mm Tab Housing

Technical Features

No. of Positions:
10 Positions

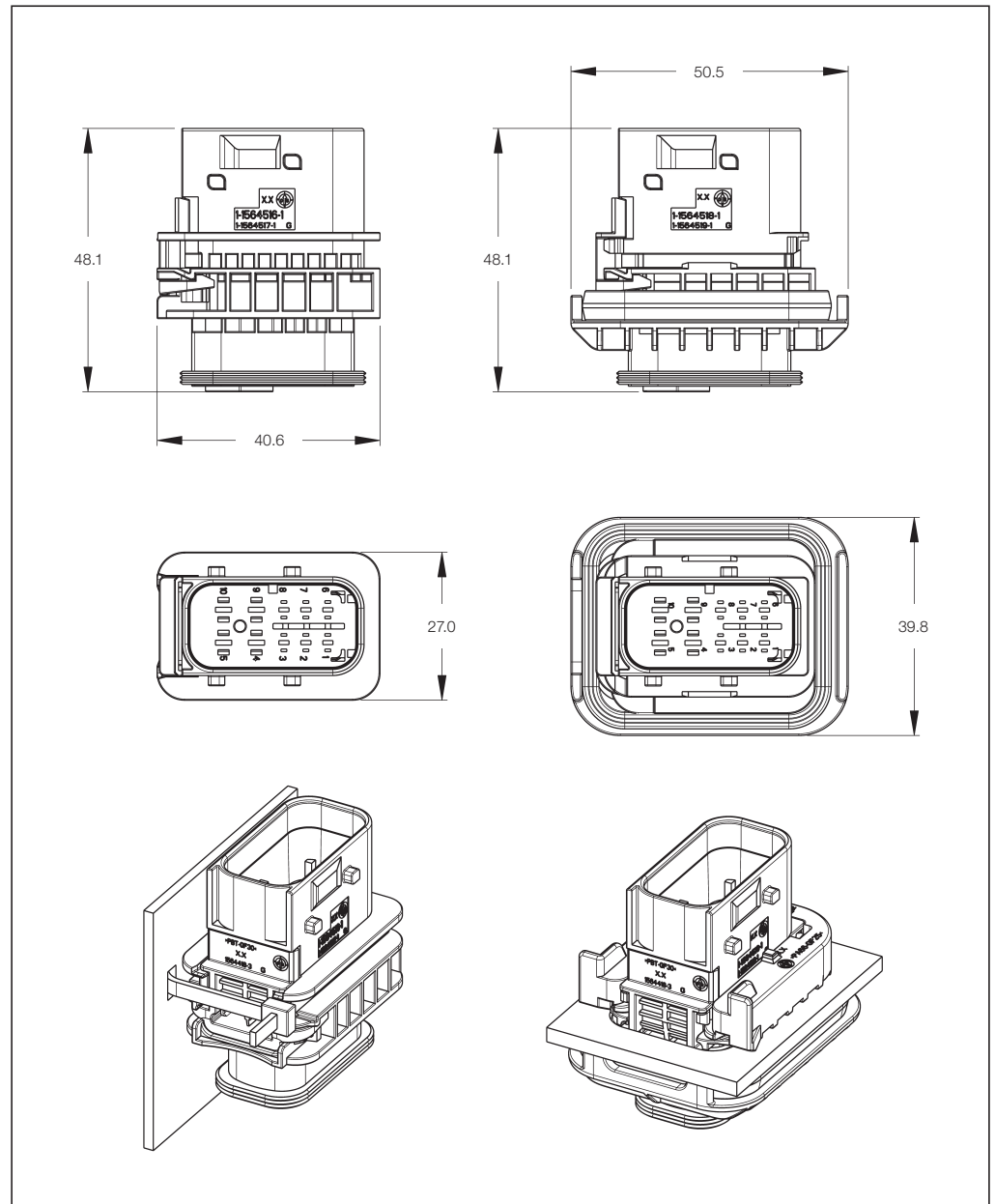
Housing Material:
Glass Reinforced PBT

Wire Size Range:

- 1.0 mm² FLR max.
- 2.5 mm² FLR max.
AWG 12 TXL max.

Product Specification:
108-94020

Application Specification:
114-18756



Sealed Mixed Tab Housings

No. of Positions	Housing Color	Part Numbers		
		Tab Housing with Flange*	Tab Housing without Flange	Mating Receptacle Housing
10	Black	1-1564518-1	1-1564516-1	1-1564514-1
	Gray	2-1564518-1	2-1564516-1	2-1564514-1
	Green	3-1564518-1	3-1564516-1	3-1564514-1
	Blue	4-1564518-1	4-1564516-1	4-1564514-1

*) Suitable fixing slide see accessories.

Group D: Accessories

Accessories



Description	Color	Part Number
Vertical adapter for NW 13 mm diameter corrugated tubing	Black	1563111-1
Right-angle adapter for NW 13 mm diameter corrugated tubing	Black	1563110-1
Fixing slide (panel thickness 3.0 mm)	Yellow	1564562-1
Fixing slide (panel thickness 2.5 mm)	Red	1564562-2
Fixing slide (panel thickness 1.5 mm)	Gray	1564562-5

Group E: Sealed AMP MCP 2.8 Receptacle Housing

Technical Features

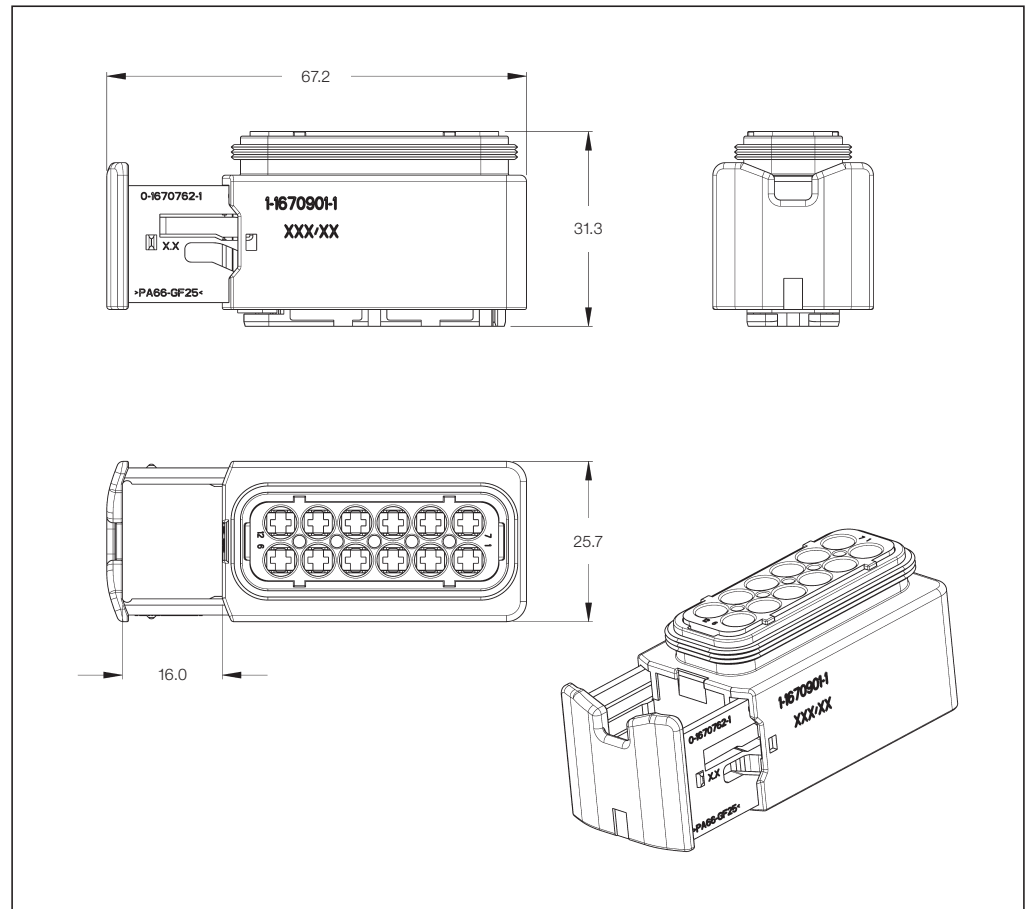
No. of Positions:
12 Positions

Housing Material:
Glass Reinforced PBT

Wire Size Range:
2.5 mm² FLR max.
AWG 12 TXL max.

Product Specification:
108-94020

Application Specification:
114-18756



Sealed Receptacle Housings

No. of Positions	Housing Color	Part Numbers	
		Receptacle Housing	Mating Tab Housing
12	Black / Black	1-1670901-1	*
	Black / Gray	2-1670901-1	*
	Black / Green	3-1670901-1	*
	Black / Blue	4-1670901-1	*

*) Available on request.

Other variants are available on request.

Group E: Sealed AMP MCP 1.5/2.8 Receptacle Housing

Technical Features

No. of Positions:
15 Positions

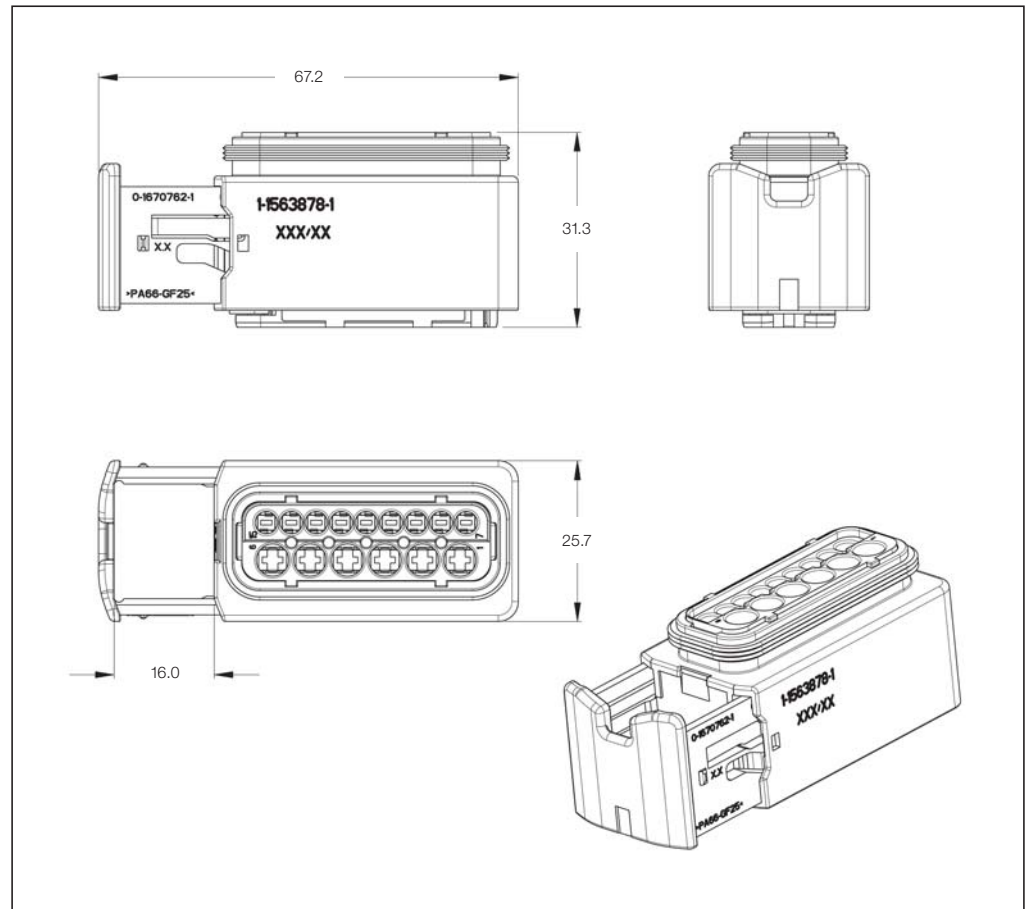
Housing Material:
Glass Reinforced PBT

Wire Size Range:

- 1.5 mm² FLR max.
AWG 16 TXL max.
- 2.5 mm² FLR max.
AWG 12 TXL max.

Product Specification:
108-94020

Application Specification:
114-18756



Sealed Mixed Receptacle Housings

No. of Positions	Housing Color	Part Numbers	
		Receptacle Housing	Mating Tab Housing
15	Black / Black	1-1563878-1	1-1564530-1
			1-1564532-1
	Black / Gray	2-1563878-1	2-1564530-1
			2-1564532-1
	Black / Green	3-1563878-1	3-1564530-1
			3-1564532-1
	Black / Blue	4-1563878-1	4-1564530-1
			4-1564532-1

Other variants are available on request.

Group E: Sealed 1.5 mm/2.8 mm Tab Housing

Technical Features

No. of Positions:

15 Positions

Housing Material:

Glass Reinforced PBT

Wire Size Range:

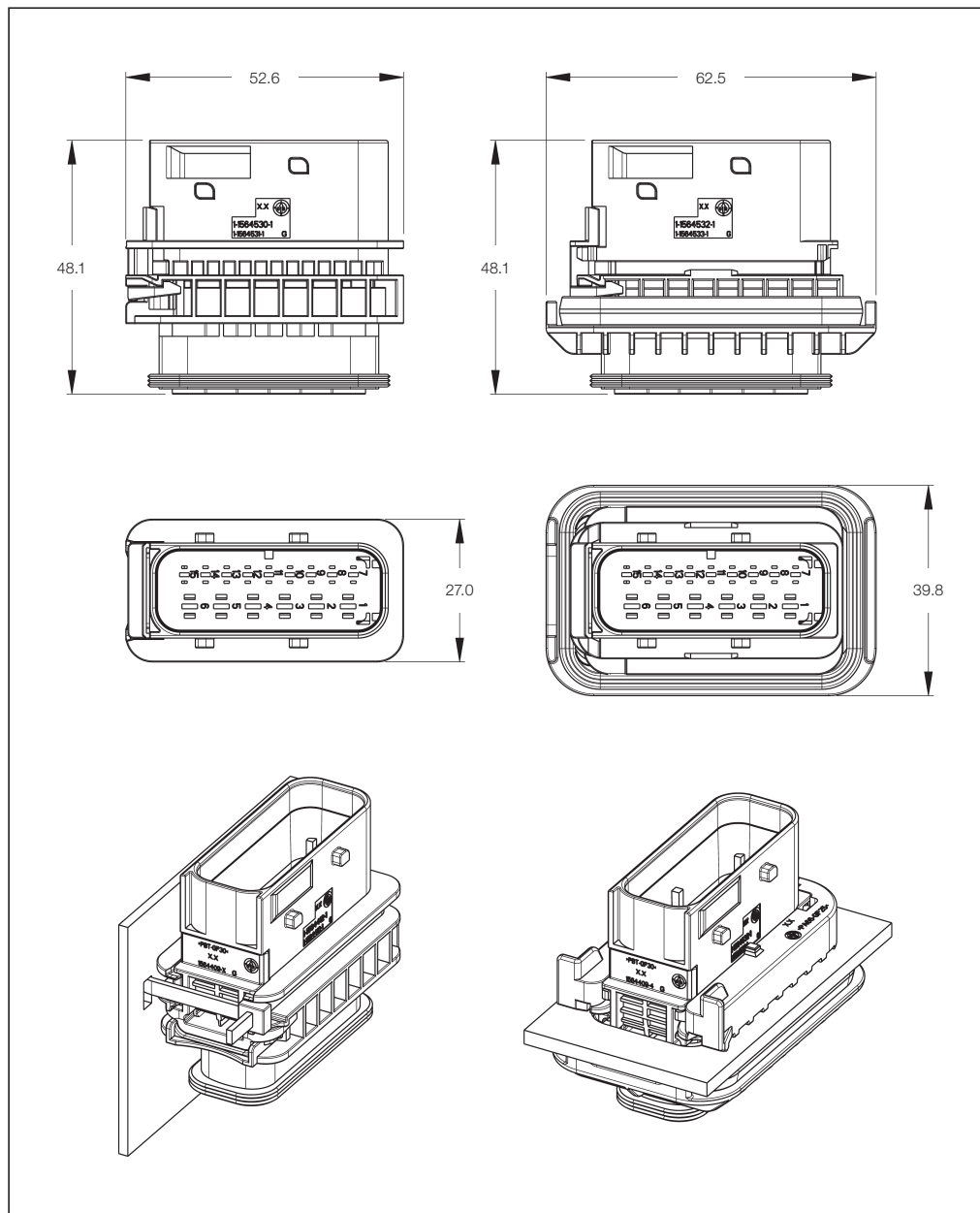
- 1.0 mm² FLR max.
- 2.5 mm² FLR max.
AWG 12 TXL max.

Product Specification:

108-94020

Application Specification:

114-18756



Sealed Mixed Tab Housings

No. of Positions	Housing Color	Part Numbers		
		Tab Housing with Flange*	Tab Housing without Flange	Mating Receptacle Housing
15	Black	1-1564532-1	1-1564530-1	1-1563878-1
	Gray	2-1564532-1	2-1564530-1	2-1563878-1
	Green	3-1564532-1	3-1564530-1	3-1563878-1
	Blue	4-1564532-1	4-1564530-1	4-1563878-1

*) Suitable fixing slide see accessories.

Group E: Sealed AMP MCP 1.5/2.8 Receptacle Housing

Technical Features

No. of Positions:

16 Positions

Housing Material:

Glass Reinforced PBT

Wire Size Range:

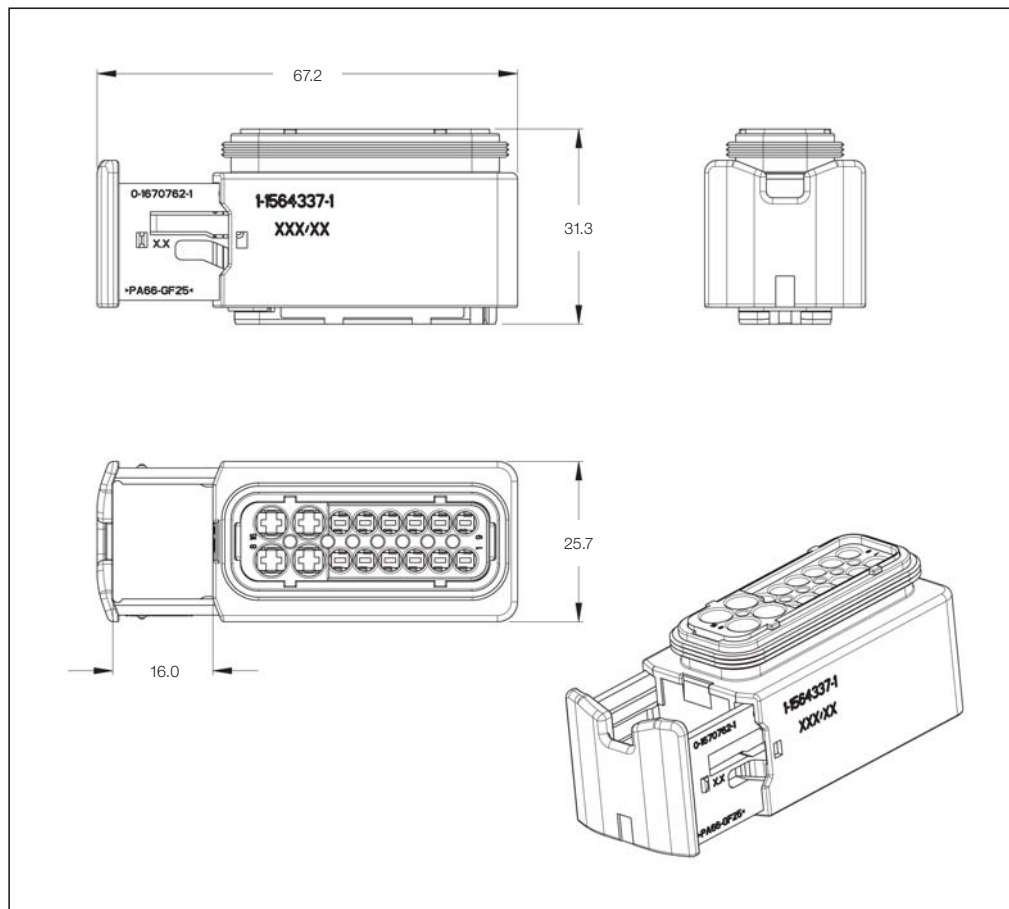
- 1.5 mm² FLR max.
AWG 16 TXL max.
- 2.5 mm² FLR max.
AWG 12 TXL max.

Product Specification:

108-94020

Application Specification:

114-18756



Sealed Receptacle Housings

No. of Positions	Housing Color	Part Numbers	
		Receptacle Housing	Mating Tab Housing
16	Black / Black	1-1564337-1	1-1564407-1
			1-1564528-1
	Black / Gray	2-1564337-1	2-1564407-1
			2-1564528-1
	Black / Green	3-1564337-1	3-1564407-1
			3-1564528-1
	Black / Blue	4-1564337-1	4-1564407-1
			4-1564528-1

Other variants are available on request.

Group E: Sealed 1.5 mm/2.8 mm Tab Housing

Technical Features

No. of Positions:
16 Positions

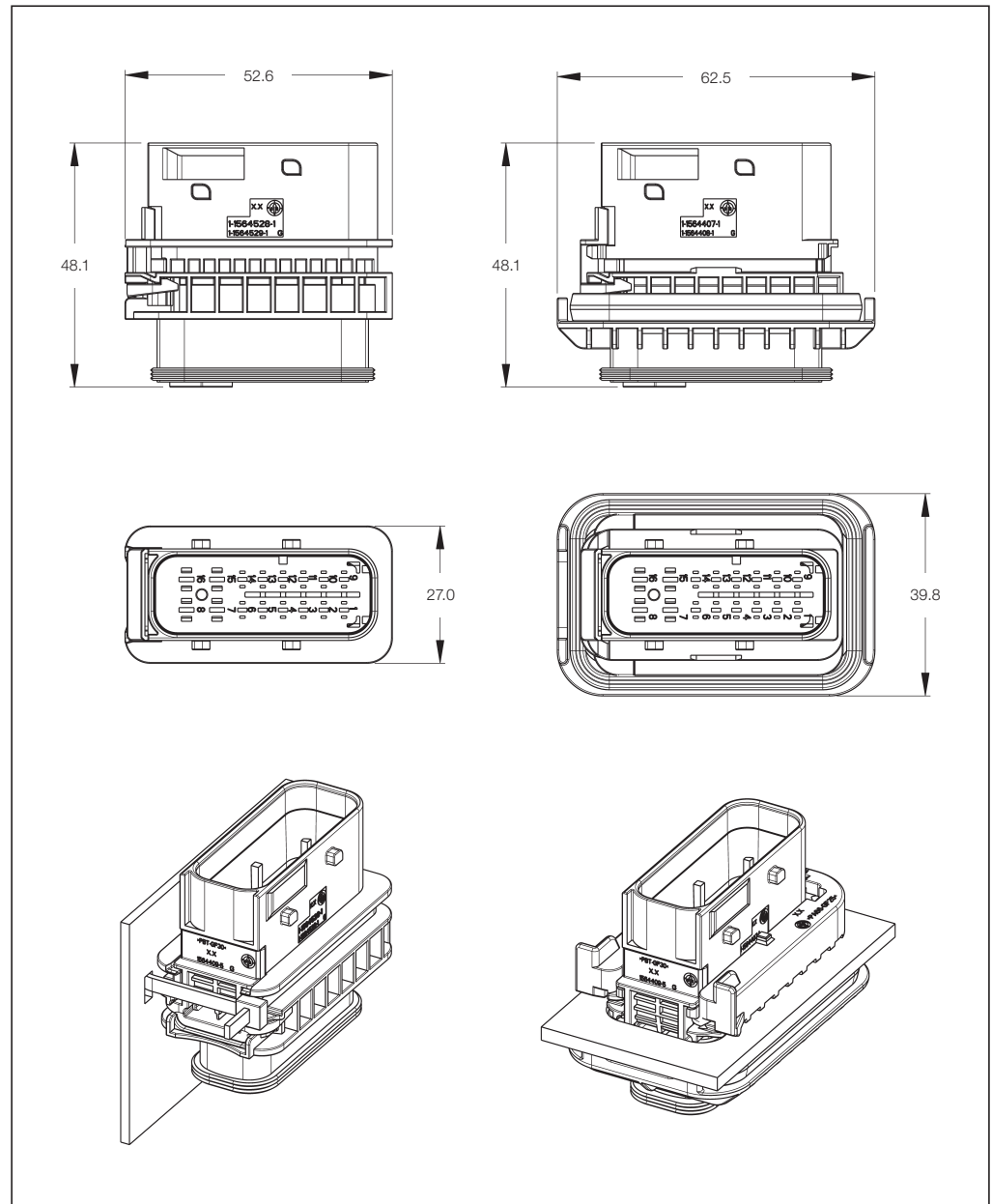
Housing Material:
Glass Reinforced PBT

Wire Size Range:

- 1.0 mm² FLR max.
- 2.5 mm² FLR max.
- AWG 12 TXL max.

Product Specification:
108-94020

Application Specification:
114-18756



Sealed Mixed Tab Housings

No. of Positions	Housing Color	Part Numbers		
		Tab Housing with Flange*	Tab Housing without Flange	Mating Receptacle Housing
16	Black	1-1564407-1	1-1564528-1	1-1564337-1
	Gray	2-1564407-1	2-1564528-1	2-1564337-1
	Green	3-1564407-1	3-1564528-1	3-1564337-1
	Blue	4-1564407-1	4-1564528-1	4-1564337-1

*) Suitable fixing slide see accessories.

Group E: Sealed AMP MCP 1.5K Receptacle Housing

Technical Features

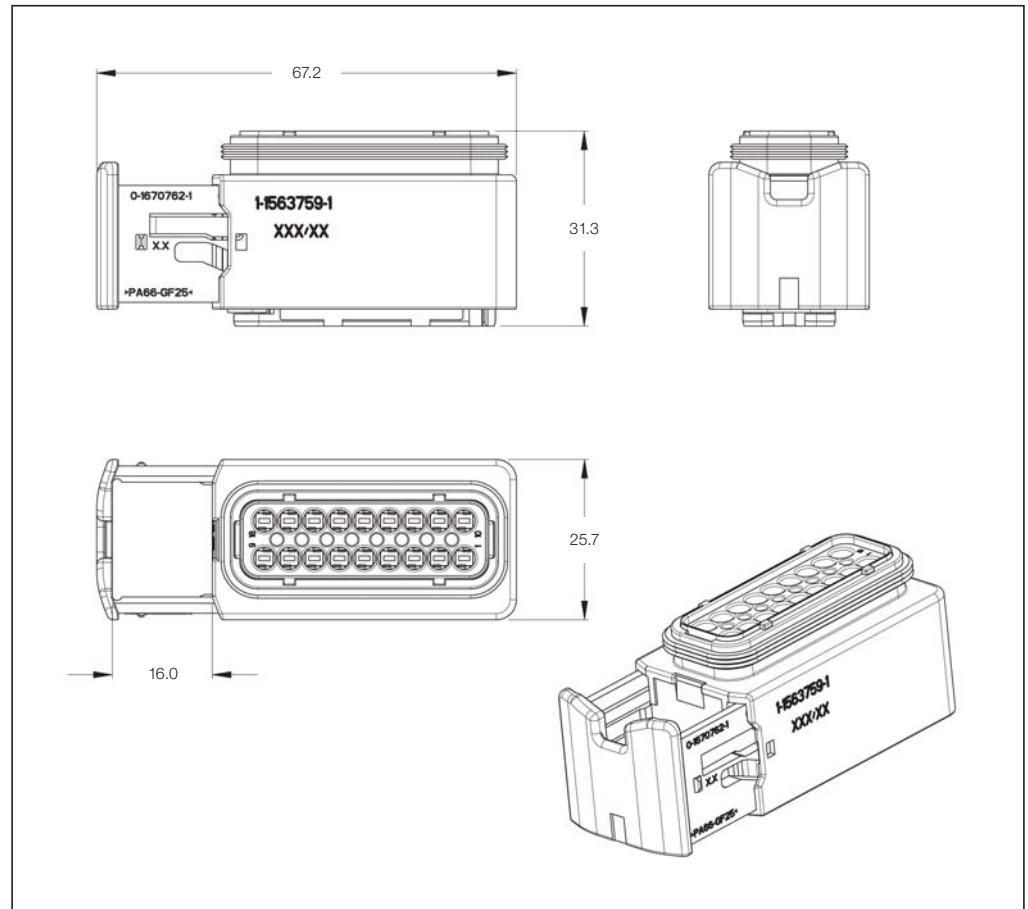
No. of Positions:
18 Positions

Housing Material:
Glass Reinforced PBT

Wire Size Range:
1.5 mm² FLR max.
AWG 16 TXL max.

Product Specification:
108-94020

Application Specification:
114-18756



Sealed Receptacle Housings

No. of Positions	Housing Color	Part Numbers	
		Receptacle Housing	Mating Tab Housing
18	Black / Black	1-1563759-1	1-1564412-1
			1-1564526-1
	Black / Gray	2-1563759-1	2-1564412-1
			2-1564526-1
	Black / Green	3-1563759-1	3-1564412-1
			3-1564526-1
	Black / Blue	4-1563759-1	4-1564412-1
			4-1564526-1

Other variants are available on request.

Group E: Sealed 1.5 mm Tab Housing

Technical Features

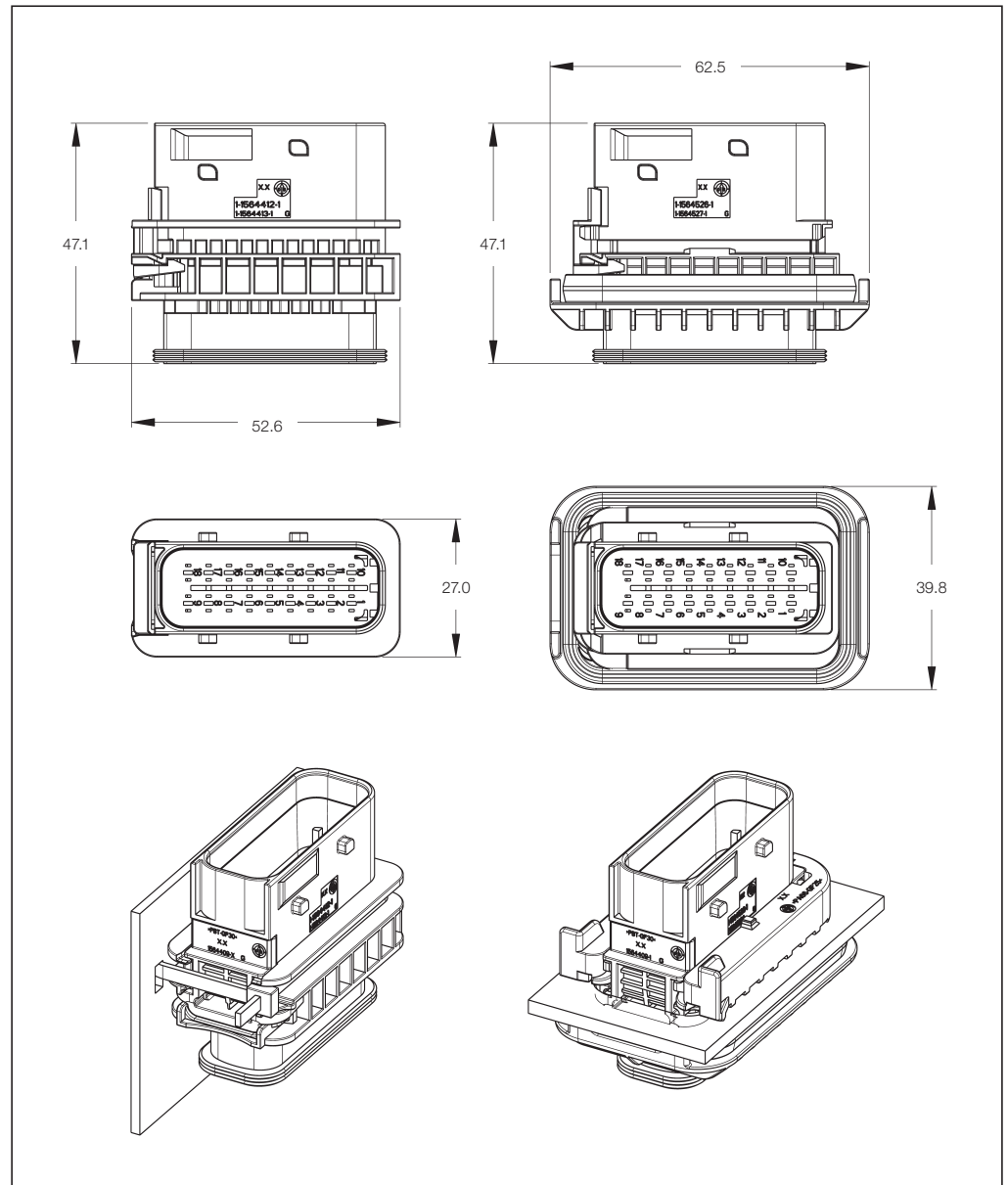
No. of Positions:
18 Positions

Housing Material:
Glass Reinforced PBT

Wire Size Range:
1.0 mm² FLR max.

Product Specification:
108-94020

Application Specification:
114-18756



Sealed 1.5 mm Tab Housings

No. of Positions	Housing Color	Part Numbers		
		Tab Housing with Flange*	Tab Housing without Flange	Mating Receptacle Housing
18	Black	1-1564526-1	1-1564412-1	1-1563759-1
	Gray	2-1564526-1	2-1564412-1	2-1563759-1
	Green	3-1564526-1	3-1564412-1	3-1563759-1
	Blue	4-1564526-1	4-1564412-1	4-1563759-1

*) Suitable fixing slide see accessories.

Group E: Sealed AMP MCP 6.3 Receptacle Housing

Technical Features

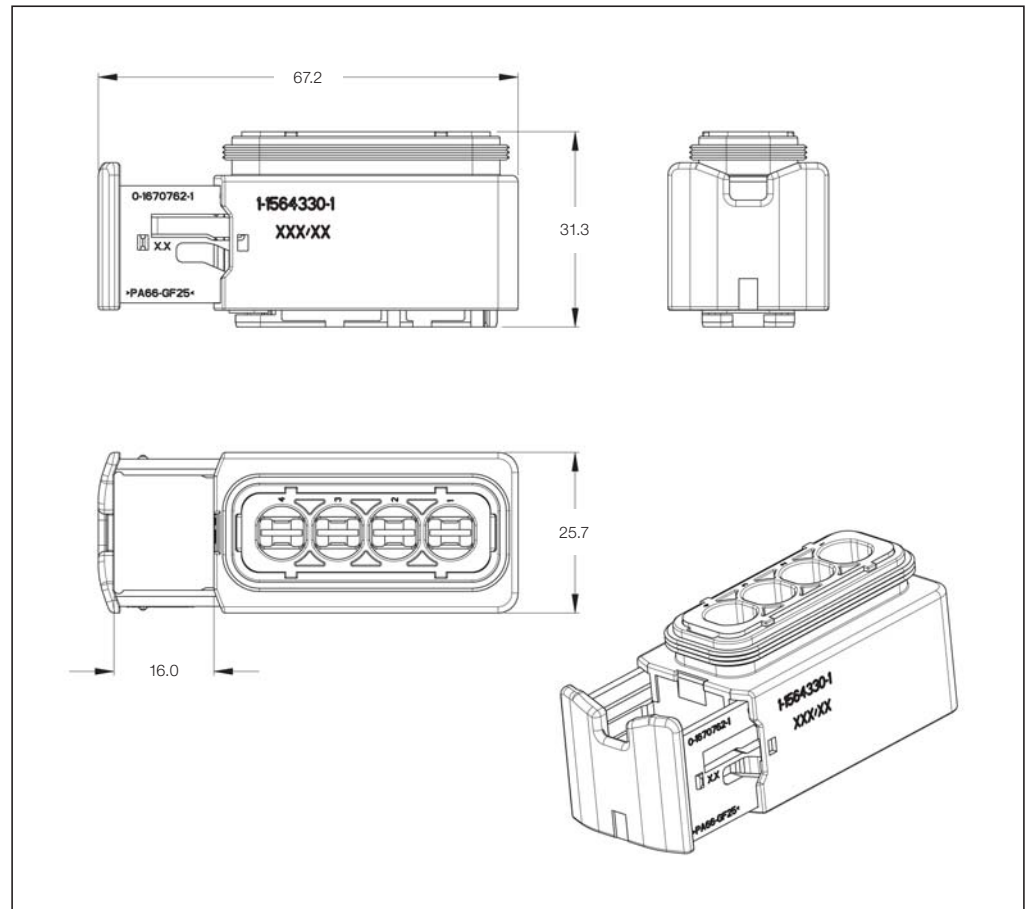
No. of Positions:
4 Positions

Housing Material:
Glass Reinforced PBT

Wire Size Range:
6.0 mm² FLR max.

Product Specification:
108-94020

Application Specification:
114-18756



Sealed Receptacle Housings

No. of Positions	Housing Color	Part Numbers	
		Receptacle Housing	Mating Tab Housing
4	Black / Black	1-1564330-1	1-1564534-1
	Black / Gray	2-1564330-1	2-1564534-1
	Black / Green	3-1564330-1	3-1564534-1
	Black / Blue	4-1564330-1	4-1564534-1

Other variants are available on request.

Group E: Sealed 6.3 mm Tab Housing

Technical Features

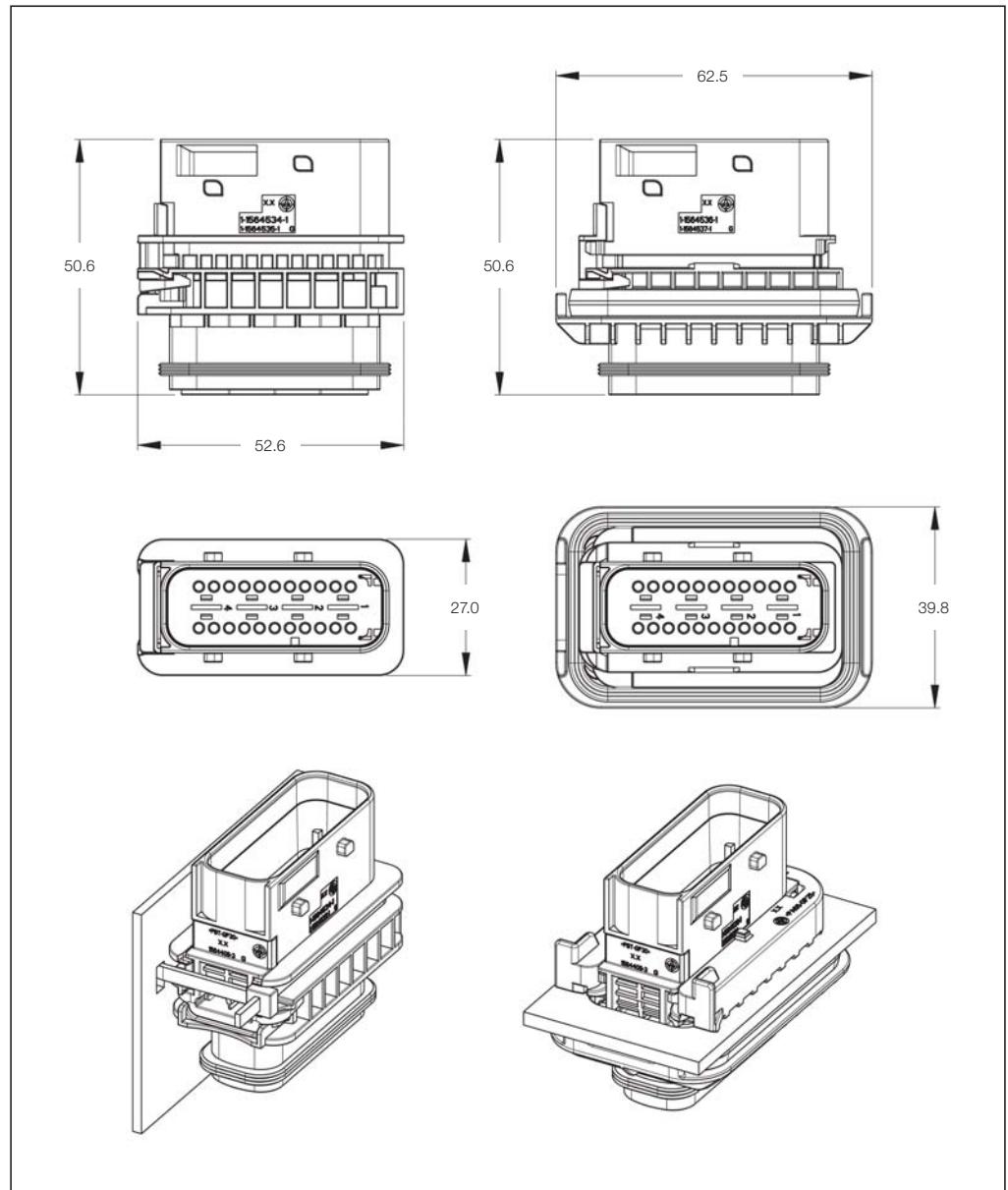
No. of Positions:
4 Positions

Housing Material:
Glass Reinforced PBT

Wire Size Range:
6.0 mm² FLR max.

Product Specification:
108-94020

Application Specification:
114-18756



Sealed 6.3 mm Tab Housings

No. of Positions	Housing Color	Part Numbers		
		Tab Housing with Flange**	Tab Housing without Flange	Mating Receptacle Housing
4	Black	*	1-1564534-1	1-1564330-1
	Gray	*	2-1564534-1	2-1564330-1
	Green	*	3-1564534-1	3-1564330-1
	Blue	*	4-1564534-1	4-1564330-1

*) Available on request.

**) Suitable fixing slide see accessories.

Group E: Accessories

Accessories



Description	Color	Part Number
Vertical adapter for NW17 mm diameter corrugated tubing and hose	Black	1670866-1
Right-angle adapter for NW17 mm diameter corrugated tubing and hose	Black	1670865-1
Fixing slide (panel thickness 3.0 mm)	Yellow	1564411-1
Fixing slide (panel thickness 2.5 mm)	Red	1564411-2

Numerical Index

Part Number	Page	Part Number	Page	Part Number	Page	Part Number	Page
185792-1	25-23	1-963749-2	25-8	1241381-2	25-4	3-1418483-1	25-14, 25-15
185793-1	25-23	1-963749-3	25-8	1241381-3	25-4	4-1418483-1	25-14, 25-15
539960-1	25-5	2-963749-1	25-8	1-1241381-2	25-4	1418884-1	25-4
734538-1	25-8	2-963749-2	25-8	1241410-1	25-10	1418884-3	25-4
828904-1	25-9	2-963749-3	25-8	1241411-1	25-10	1418885-1	25-4
828904-2	25-9	964269-2	25-5	1241412-1	25-10	1418885-3	25-4
828905-1	25-9	964269-3	25-5	1241412-3	25-10	1418916-1	25-23
828922-1	25-9	964269-5	25-5	1241413-1	25-10	1418917-1	25-23
1-962915-1	25-8	964270-2	25-5	1241413-3	25-10	1418918-1	25-23
1-962915-2	25-8	964270-3	25-5	1241414-1	25-10	1418919-1	25-23
1-962915-3	25-8	964270-5	25-5	1241414-3	25-10	1534789-1	25-23
2-962915-1	25-8	964971-1	25-6	1241415-1	25-10	1534791-1	25-23
2-962915-2	25-8	964972-1	25-6	1241415-3	25-10	1563110-1	25-38
2-962915-3	25-8	965576-1	25-23	1241416-1	25-10	1563111-1	25-38
1-962916-1	25-8	965577-1	25-23	1241416-3	25-10	1-1563759-1	25-44, 25-45
1-962916-2	25-8	965783-1	25-23	1241417-1	25-10	2-1563759-1	25-44, 25-45
1-962916-3	25-8	965784-1	25-23	1241417-3	25-10	3-1563759-1	25-44, 25-45
2-962916-1	25-8	965785-1	25-23	1241418-4	25-10	4-1563759-1	25-44, 25-45
2-962916-2	25-8	965786-1	25-23	1241419-4	25-10	1-1563878-1	25-40, 25-41
2-962916-3	25-8	1-965982-1	25-8	1394132-1	25-6	2-1563878-1	25-40, 25-41
1-962917-1	25-11	1-965982-3	25-8	1394133-1	25-6	3-1563878-1	25-40, 25-41
1-962917-2	25-11	1-965983-1	25-8	1394511-1	25-12	4-1563878-1	25-40, 25-41
2-962917-1	25-11	1-965983-3	25-8	1394512-1	25-12	1-1564330-1	25-46, 25-47
2-962917-2	25-11	967652-1	25-12	1-1418390-1	25-19, 25-20	2-1564330-1	25-46, 25-47
1-962918-1	25-11	1-968855-1	25-7	2-1418390-1	25-19, 25-20	3-1564330-1	25-46, 25-47
1-962918-2	25-11	1-968855-2	25-7	3-1418390-1	25-19, 25-20	4-1564330-1	25-46, 25-47
2-962918-1	25-11	1-968855-3	25-7	4-1418390-1	25-19, 25-20	1-1564337-1	25-42, 25-43
2-962918-2	25-11	1-968857-1	25-7	1-1418437-1	25-24	2-1564337-1	25-42, 25-43
1-962919-1	25-11	1-968857-3	25-7	2-1418437-1	25-24	3-1564337-1	25-42, 25-43
1-962919-2	25-11	1-968875-1	25-7	3-1418437-1	25-24	4-1564337-1	25-42, 25-43
2-962919-1	25-11	1-968875-2	25-7	4-1418437-1	25-24	1-1564407-1	25-42, 25-43
2-962919-2	25-11	1-968875-3	25-7	1-1418448-1	25-16, 25-17	2-1564407-1	25-42, 25-43
963530-1	25-6	1-968876-1	25-7	1-1418448-2	25-16, 25-17	3-1564407-1	25-42, 25-43
963531-1	25-6	1-968876-3	25-7	2-1418448-1	25-16, 25-17	4-1564407-1	25-42, 25-43
1-963742-1	25-11	1-968882-1	25-7	2-1418448-2	25-16, 25-17	1564411-1	25-48
1-963742-2	25-11	1-968882-3	25-7	3-1418448-1	25-16, 25-17	1564411-2	25-48
2-963742-1	25-11	1-968896-1	25-7	3-1418448-2	25-16, 25-17	1-1564412-1	25-44, 25-45
2-963742-2	25-11	1-968896-3	25-7	4-1418448-1	25-16, 25-17	2-1564412-1	25-44, 25-45
1-963743-1	25-11	969028-2	25-5	4-1418448-2	25-16, 25-17	3-1564412-1	25-44, 25-45
1-963743-2	25-11	969028-3	25-5	1-1418469-1	25-21, 25-22	4-1564412-1	25-44, 25-45
2-963743-1	25-11	969029-2	25-5	2-1418469-1	25-21, 25-22	1-1564414-1	25-32, 25-33
2-963743-2	25-11	969029-3	25-5	3-1418469-1	25-21, 25-22	2-1564414-1	25-32, 25-33
1-963744-1	25-11	1241378-1	25-4	4-1418469-1	25-21, 25-22	3-1564414-1	25-32, 25-33
1-963744-2	25-11	1241378-2	25-4	1-1418479-1	25-27, 25-28	4-1564414-1	25-32, 25-33
2-963744-1	25-11	1241378-3	25-4	2-1418479-1	25-27, 25-28	1-1564416-1	25-27, 25-28
2-963744-2	25-11	1241379-1	25-4	3-1418479-1	25-27, 25-28	2-1564416-1	25-27, 25-28
1-963748-1	25-8	1241379-2	25-4	4-1418479-1	25-27, 25-28	3-1564416-1	25-27, 25-28
1-963748-2	25-8	1241379-3	25-4	1-1418480-1	25-25, 25-26	4-1564416-1	25-27, 25-28
1-963748-3	25-8	1241380-1	25-4	2-1418480-1	25-25, 25-26	1-1564512-1	25-27, 25-28
2-963748-1	25-8	1241380-2	25-4	3-1418480-1	25-25, 25-26	2-1564512-1	25-27, 25-28
2-963748-2	25-8	1241380-3	25-4	4-1418480-1	25-25, 25-26	3-1564512-1	25-27, 25-28
2-963748-3	25-8	1-1241380-2	25-4	1-1418483-1	25-14, 25-15	4-1564512-1	25-27, 25-28
1-963749-1	25-8	1241381-1	25-4	2-1418483-1	25-14, 25-15	1-1564514-1	25-36, 25-37

Numerical Index

Part Number	Page	Part Number	Page	Part Number	Page	Part Number	Page
2-1564514-1	25-36, 25-37	4-1564532-1	25-40, 25-41	1-1670730-1	25-16, 25-17	3-1703818-1	25-19, 25-20
3-1564514-1	25-36, 25-37	1-1564534-1	25-46, 25-47	2-1670730-1	25-16, 25-17	4-1703818-1	25-19, 25-20
4-1564514-1	25-36, 25-37	2-1564534-1	25-46, 25-47	3-1670730-1	25-16, 25-17	1-1703820-1	25-21, 25-22
1-1564516-1	25-36, 25-37	3-1564534-1	25-46, 25-47	4-1670730-1	25-16, 25-17	2-1703820-1	25-21, 25-22
2-1564516-1	25-36, 25-37	4-1564534-1	25-46, 25-47	1670865-1	25-48	3-1703820-1	25-21, 25-22
3-1564516-1	25-36, 25-37	1-1564542-1	25-29, 25-30	1670866-1	25-48	4-1703820-1	25-22
4-1564516-1	25-36, 25-37	2-1564542-1	25-29, 25-30	1-1670894-1	25-34, 25-35	1703838-1	25-18
1-1564518-1	25-36, 25-37	3-1564542-1	25-29, 25-30	2-1670894-1	25-34, 25-35	1703838-2	25-18
2-1564518-1	25-36, 25-37	4-1564542-1	25-29, 25-30	3-1670894-1	25-34, 25-35	1-1703841-1	25-14, 25-15
3-1564518-1	25-36, 25-37	1-1564544-1	25-29, 25-30	4-1670894-1	25-34, 25-35	2-1703841-1	25-14, 25-15
4-1564518-1	25-36, 25-37	2-1564544-1	25-29, 25-30	1-1670901-1	25-39	3-1703841-1	25-14, 25-15
1-1564520-1	25-32, 25-33	3-1564544-1	25-29, 25-30	2-1670901-1	25-39	4-1703841-1	25-14, 25-15
2-1564520-1	25-32, 25-33	4-1564544-1	25-29, 25-30	3-1670901-1	25-39	1-1703843-1	25-16, 25-17
3-1564520-1	25-32, 25-33	1-1564546-1	25-29, 25-30	4-1670901-1	25-39	2-1703843-1	25-16, 25-17
4-1564520-1	25-32, 25-33	2-1564546-1	25-29, 25-30	1-1703639-1	25-33	3-1703843-1	25-16, 25-17
1-1564522-1	25-34, 25-35	3-1564546-1	25-29, 25-30	2-1703639-1	25-33	4-1703843-1	25-16, 25-17
2-1564522-1	25-34, 25-35	4-1564546-1	25-29, 25-30	3-1703639-1	25-33	1718705-1	25-6
3-1564522-1	25-34, 25-35	1564562-1	25-38	4-1703639-1	25-33	1719043-1	25-12
4-1564522-1	25-34, 25-35	1564562-2	25-38	1-1703648-1	25-25, 25-26	1-1719503-1	25-8
1-1564526-1	25-44, 25-45	1564562-5	25-38	2-1703648-1	25-25, 25-26	1-1719503-2	25-8
2-1564526-1	25-44, 25-45	1579007-1	25-7	3-1703648-1	25-25, 25-26	1-1719504-1	25-8
3-1564526-1	25-44, 25-45	1-1579007-1	25-4	4-1703648-1	25-25, 25-26	1-1719504-2	25-8
4-1564526-1	25-44, 25-45	1-1579007-3	25-10	1-1703773-1	25-21, 25-22	1-1719506-1	25-7
1-1564528-1	25-42, 25-43	1-1579007-6	25-8, 25-11	2-1703773-1	25-21, 25-22	1-1719506-3	25-7
2-1564528-1	25-42, 25-43	1670057-1	25-31	3-1703773-1	25-21, 25-22	2063409-1	25-5
3-1564528-1	25-42, 25-43	1670150-1	25-18	4-1703773-1	25-21, 25-22	2063490-1	25-8
4-1564528-1	25-42, 25-43	1-1670214-1	25-25, 25-26	1-1703808-1	25-19, 25-20	2063523-1	25-7
1-1564530-1	25-40, 25-41	2-1670214-1	25-25, 25-26	2-1703808-1	25-19, 25-20	2063524-1	25-4
2-1564530-1	25-40, 25-41	3-1670214-1	25-25, 25-26	3-1703808-1	25-19, 25-20	2063623-1	25-7
3-1564530-1	25-40, 25-41	4-1670214-1	25-25, 25-26	4-1703808-1	25-19, 25-20	2063624-1	25-7
4-1564530-1	25-40, 25-41	1670364-1	25-31	1703810-1	25-23	2063625-1	25-10
1-1564532-1	25-40, 25-41	1670365-1	25-18	1703810-2	25-23	2063626-1	25-10
2-1564532-1	25-40, 25-41	1670720-1	25-31	1-1703818-1	25-19, 25-20	2063627-1	25-10
3-1564532-1	25-40, 25-41	1670720-2	25-31	2-1703818-1	25-19, 25-20	2063628-1	25-11

Disclaimer

While Tyco Electronics and its affiliates referenced herein have made every reasonable effort to ensure the accuracy of the information contained in this catalog, Tyco Electronics cannot assure that this information is error free. For this reason, Tyco Electronics does not make any representation or offer any guarantee that such information is accurate, correct, reliable or current. Tyco Electronics reserves the right to make any adjustments to the information at any time. Tyco Electronics expressly disclaims any implied warranty regarding the information contained herein, including, but not limited to, the implied warranties of merchantability or fitness for a particular purpose. Tyco Electronics' only obligations are those stated in Tyco Electronics' Standard Terms and Conditions of Sale. Tyco Electronics will in no case be liable for any incidental, indirect or consequential damages arising from or in connection with, including, but not limited to, the sale, resale, use or misuse of its products. Users should rely on their own judgment to evaluate the suitability of a product for a certain purpose and test each product for its intended application.

In case of any potential ambiguities or questions, please don't hesitate to contact us for clarification.

www.tycoelectronics.com

www.tycoelectronics.com/automotive

AMP, AMP MCP, TE (Logo) and Tyco Electronics are trademarks of the Tyco Electronics Group of Companies and its Licensors.