

AS Interface coupling module FK for 2" x 4" AS-i cable



Figure similar

General technical data		
Type of device		accessories digital I/O modules for operation in the field, IP67 - user modules
Design of the product		FK coupling module, standard version, for 2 x AS-Interface cables (yellow)
operating voltage according to AS-Interface specification	V	26.5 ... 31.6
Scope of supply		1 x coupling module, 4 x shaped seals, 3 x end seals (Viton)
Connections/Terminals		
connection		insulation piercing method for AS-Interface flat cable
Connection system		insulation piercing method for AS-Interface flat cable
AS interface		
• interface		EMS
Mechanical data		
Type of mounting		for wall and standard rail mounting
Contacts Load rating max	A	2

Ambient conditions

Ambient temperature	°C	-25 ... +85
degree of protection		IP67

Certificates/approvals

General Product Approval	Declaration of Conformity	Shipping Approval
--------------------------	---------------------------	-------------------



Shipping Approval	other
-------------------	-------



[Confirmation](#)

Further information

Information- and Downloadcenter (Catalogs, Brochures,...)

<http://www.siemens.com/industrial-controls/catalogs>

Industry Mall (Online ordering system)

<https://mall.industry.siemens.com/mall/en/en/Catalog/product?mfb=3RG9010-0AA00>

Cax online generator

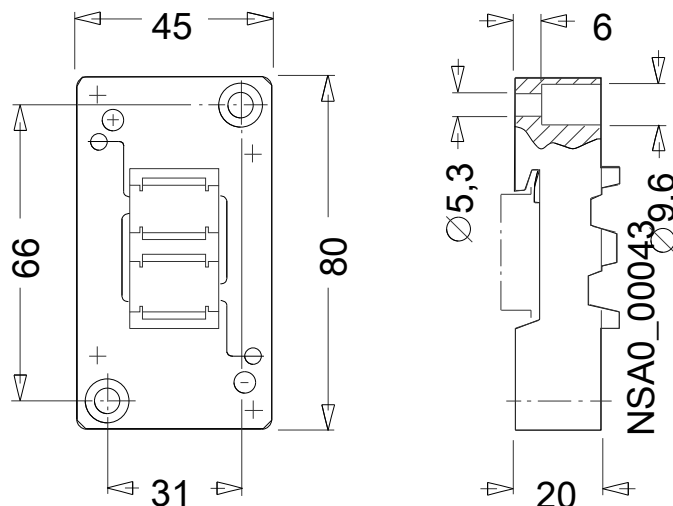
<http://support.automation.siemens.com/WW/CAXorder/default.aspx?lang=en&mfb=3RG9010-0AA00>

Service&Support (Manuals, Certificates, Characteristics, FAQs,...)

<https://support.industry.siemens.com/cs/ww/en/ps/3RG9010-0AA00>

Image database (product images, 2D dimension drawings, 3D models, device circuit diagrams, EPLAN macros, ...)

http://www.automation.siemens.com/bilddb/cax_de.aspx?mfb=3RG9010-0AA00&lang=en



last modified:

01/30/2018