

1

2

3

4

5

6

A

B

C

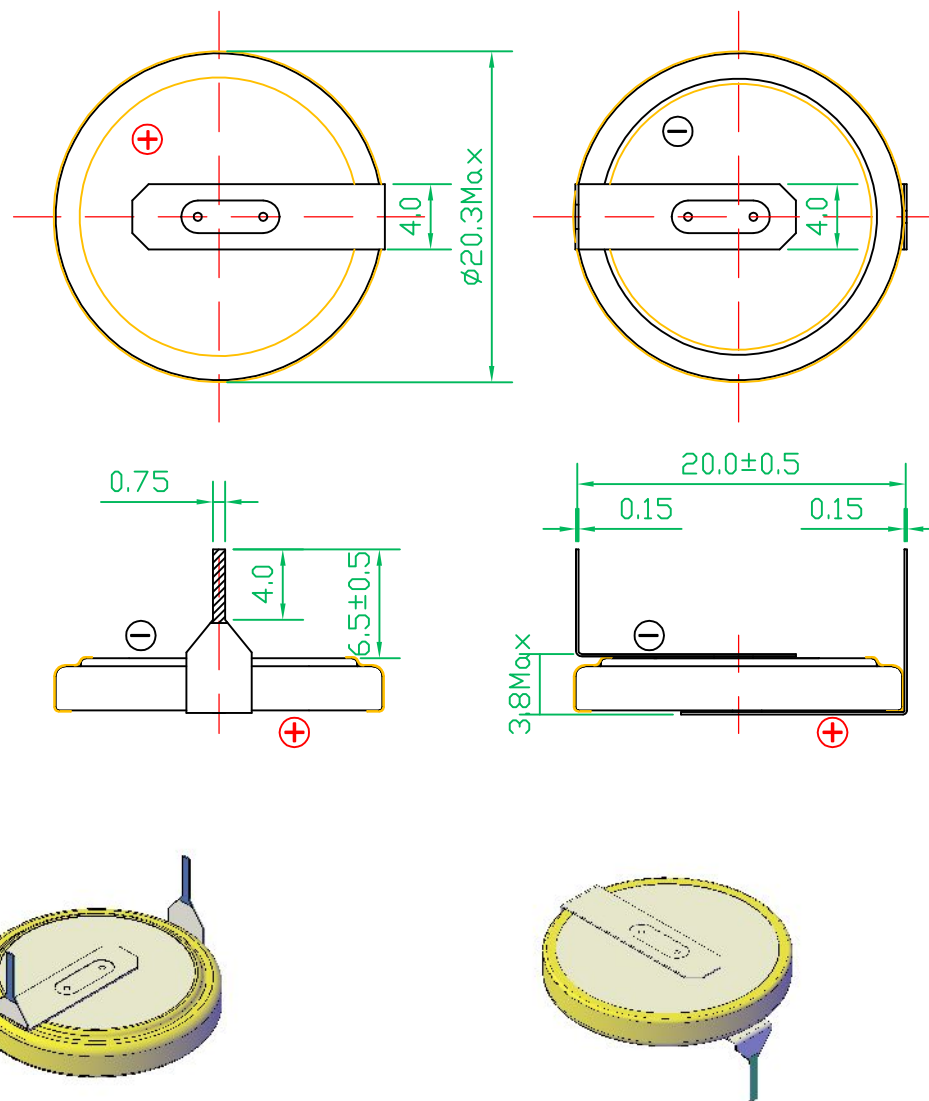
D

A

B

C

D

Tin plating
(镀锡)Cathode tab
(负极焊片)Yellow(黄色)
PVCCell(电芯):CR2032
210mAhAnode tab
(正极焊片)

4 ROHS Compliant /严格按照ROHS要求生产

3 Cathode tab / 负极焊片 Stainless steel plated with tin / 不锈钢镀锡

2 Anode tab / 正极焊片 Stainless steel plated with tin / 不锈钢镀锡

1 Cell / 电芯 Button, Yellow yellow PVC, with date code 扣式, 包黄色PVC, 电芯表面喷码

NO. Parts Description

EEMB[®]
EEMB BATTERY

Title CR2032-VBY2

File NO. A17590

Drawn: YanF Revise No.: E4-2009

Group: Group1 Projection:

Approved1: Page: 1/1

Approved2: Scale: 1.5: 1

Draw Date: 2019/09/09 Unit: mm

1

2

3

4

5

6