



Industrial & Electrical Components

**Miniature  
P.C.B Relay**

*Part No.*

**NRP-15T**



**IEC255-7**

High switching capacity - 40A for 1 Form A  
Low coil consumption  
Small size, light weight, PCB mounting.  
UL/C-UL recognized

**CONTACT**

Arrangement	1A / 1B / 1C
Contact Material	Silver Alloy
Contact Resistive	30 mΩ
Rating	NO: 40A/240VAC, 14VDC
Resistive load (cosφ=1)	NC: 30A/240VAC, 14VDC Motor Load: 2HP 250Vac
Max. Switching Voltage	250VAC 110VDC
Max. Switching Current	40A
Max. Switching Power	7200VA / 1100W
Expected life	
Mechanical	1×10 <sup>7</sup> Min
Electrical	1×10 <sup>5</sup> Min.

**CHARACTERISTICS**

Operate Time	15ms. Max.
Release Time	10ms. Max.
Initial breakdown voltage	2500VAC 50Hz ( 6 pins type)
Between Coil & Contact	4000VAC 50Hz ( 5 pins type)
Between Open Contacts	1500VAC (50Hz)for 1 min.
Insulation Resistance	Min.1000MΩ (500 VDC)
Shock: Endurance	200m/s <sup>2</sup> 11ms
Damage	
Vibration: Endurance	10 to 55 Hz , 1.5mm D.A.
Damage	
Humidity	85%RH ( at 40 )
Ambient temperature	-55 to +100 /125 (F class)
Unit weight	30g

**ORDERING INFORMATION**

e.g

**NRP15T - C - 12D - B - H**

Part No. 15T= 40A version

Contact Form:

C=1C/O; A = N/O; B= N/C

Coil Voltage: 12D= 12Vdc

220A= 220VAC

B= Class B F= Class F

Coil Power, H=0.6W, Nil = 0.9W

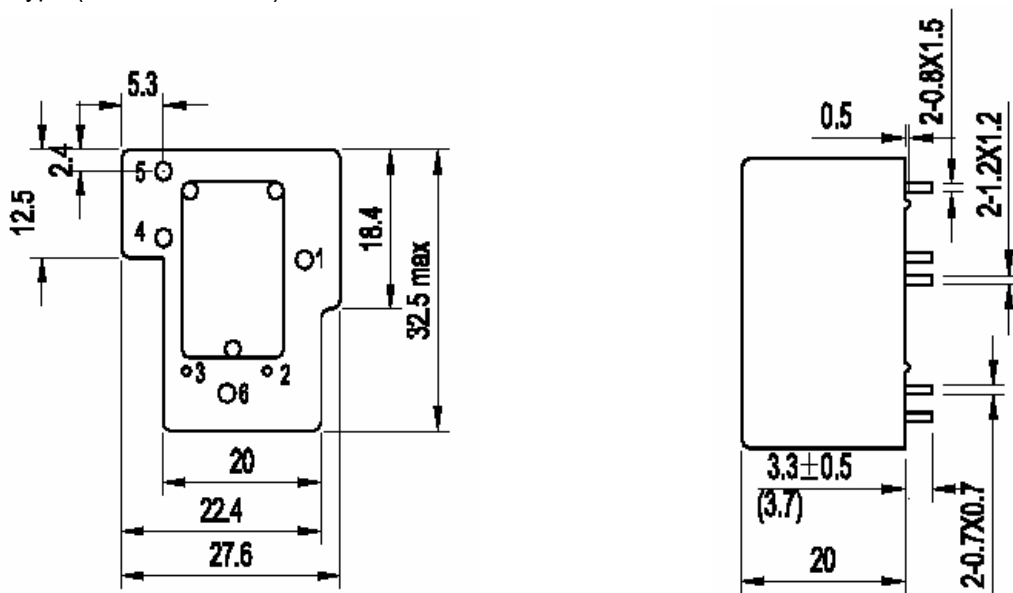
**COIL DATA (at 20 )**

Nominal Voltage	Pick-up Voltage	Drop-out Voltage	Coil Resistance ( $\Omega$ ) $\pm$ 10%	Nominal operating Power (W)	Max.Allowable Voltage
DC Coils	VDC(Max)	VDC(Min)			
3	2.25	0.30	10.0	0.90	130% of nominal Voltage
5	3.75	0.50	28.0		
6	4.50	0.60	40.0		
9	6.75	0.90	90.0		
12	9.00	1.20	160.0		
18	13.50	1.80	360.0		
24	18.00	2.40	640.0		
48	36.00	4.80	2560.0		
110	82.50	11.00	13445.0		
3	2.25	0.30	15.0	0.60	130% of nominal Voltage
5	3.75	0.50	42.0		
6	4.50	0.60	60.0		
9	6.75	0.90	135.0		
12	9.00	1.20	240.0		
18	13.50	1.80	540.0		
24	18.00	2.40	960.0		
48	36.00	4.80	3840.0		
110	82.50	11.00	20167.0		
<b>AC Coils</b>					
12	9.00	3.60	27.0	2VA	130% of nominal Voltage
24	18.00	7.20	120.0		
110	82.50	33.00	2360.0		
120	90.00	36.00	3040.0		
220	165.00	66.00	13490.0		

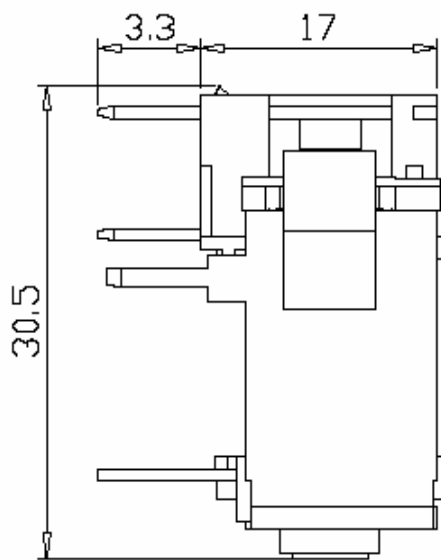
**DIMENSIONS**

Unit: mm

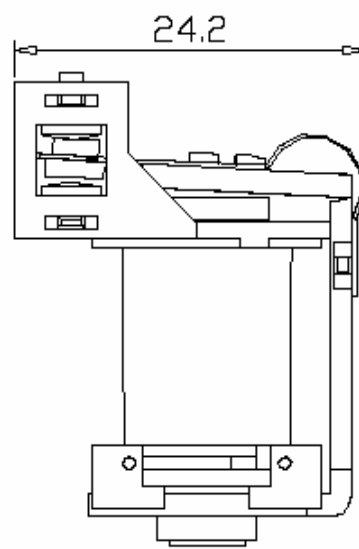
Seal type ( with dust cover )



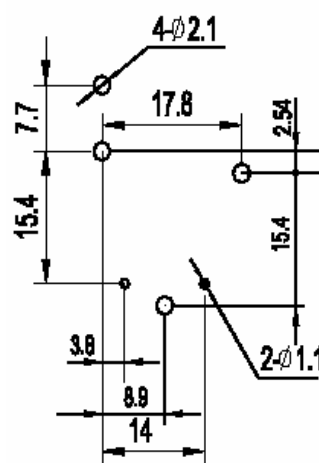
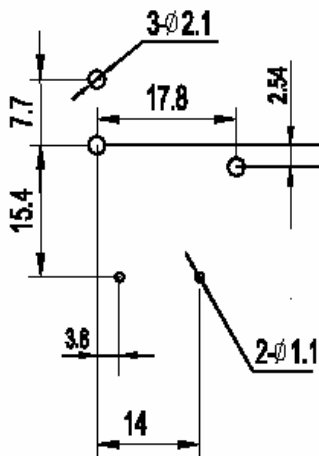
Open Type (without cover)



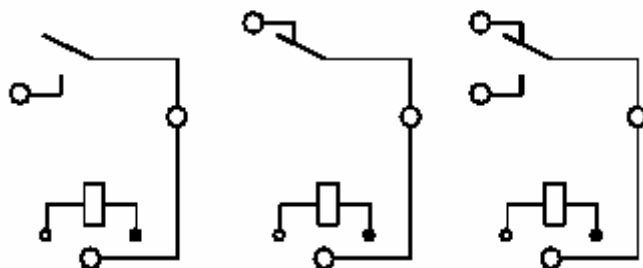
5 Pins



6 Pins



### WIRING DIAGRAM



1A

1B

1C



Industrial & Electrical Components