

Compact Sensor Offers Long Sensing Distance and Superior Noise-Immunity

- Photo-IC provides long sensing distance: 15 m for through-beam, 4 m for retroreflective, and 1 m for diffuse
- Integrated Photo-IC improves noise immunity to interference from inverters and other inductive loads
- New injection molding technology assures IP67 rating to withstand water and dust
- Switch-selectable, Light-ON/Dark-ON operation
- M8 connector-ready and 2-m, pre-wired models
- NPN or PNP output models available



Ordering Information

■ SENSORS

Sensing method	Light source	Appearance	Connection method	Sensing distance	Part number	
					NPN output	PNP output
Through-beam	IR		Pre-wired	15 m	E3Z-T61	E3Z-T81
			Connector		E3Z-T66	E3Z-T86
Polarized retroreflective	RED		Pre-wired	100 mm to 4 m 100 mm to 3 m (See Note 2.)	E3Z-R61	E3Z-R81
			Connector		E3Z-R66	E3Z-R86
Diffuse reflective	IR		Pre-wired	5 to 100 mm (wide view)	E3Z-D61	E3Z-D81
			Connector		E3Z-D66	E3Z-D86
			Pre-wired	1 m	E3Z-D62	E3Z-D82
			Connector		E3Z-D67	E3Z-D87

Note: 1. The Reflector is sold separately. Select the Reflector model most suited to the application.

2. Sensing distance can be extended to 4 meters when the E39-R1S reflector is used. The sensing distance is 3 meters when the E39-R1 reflector is used.

■ ACCESSORIES (ORDER SEPARATELY)

Slit for Through-beam Models (E3Z-T□□)

Order a slit for each emitter and receiver.





Slit width	Sensing distance (typical)	Minimum sensing object (typical)	Part number
0.5 mm dia.	50 mm	0.5 mm dia.	E39-S65A
1 mm dia.	200 mm	1 mm dia.	E39-S65B
2 mm dia.	800 mm	2 mm dia.	E39-S65C
0.5 × 10 mm	1 m	0.7 mm dia.	E39-S65D
1 × 10 mm	2.2 m	1.2 mm dia.	E39-S65E
2 × 10 mm	5 m	2.4 mm dia.	E39-S65F

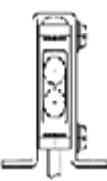
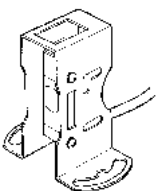
Reflectors for Retroreflective Models

Name	Sensing distance (typical)	Part number
Reflector	100 mm to 3 m	E39-R1
	100 mm to 4 m	E39-R1S
	100 mm to 5 m	E39-R2
	100 mm to 2.5 m	E39-R9
	100 mm to 3.5 m	E39-R10
Miniature Reflector	50 mm to 1.5 m	E39-R3
Tape Reflector	150 mm to 700 mm	E39-RS1
	150 mm to 1.1 m	E39-RS2
	150 mm to 1.4 m	E39-RS3

Note: The actual sensing distance may be reduced to approximately 70% of the typical sensing distance when using a Reflector other than the E39-R1 or the E39-R1S.

■ MOUNTING BRACKETS

Appearance	Description	Part number
	L-bracket, horizontal	E39-L104
	L-bracket, vertical	E39-L44
	Open top, 20° angle adjustability	E39-L43
	Protected top 5° angle adjustability	E39-L144

Appearance	Description	Part number
	Compact vertical protective cover bracket	E39-L142
	Vertical protective cover bracket	E39-L98

Note: If a through-beam model is used, order two Mounting Brackets — one for the emitter and one for the receiver.

M8 Connectors

Appearance	Cable type	Part number	
Straight	2 m (6.56 ft)	Four-wire type XS3F-M421-402-A	
	5 m (16.40 ft)		
Right angle	2 m (6.56 ft)		XS3F-M422-402-A
	5 m (16.40 ft)		XS3F-M422-405-A

Specifications

Item	Sensing method	Through-beam	Polarized retroreflective	Diffuse reflective	
		E3Z-T61/T66	E3Z-R61/R66	E3Z-D61/D66	E3Z-D62/D67
		E3Z-T81/T86	E3Z-R81/R86	E3Z-D81/D86	E3Z-D82/D87
Sensing distance		15 m	100 mm (4 m Note 1) (when using E39-R1S) 100 mm (3 m Note 2) (when using E39-R1)	White paper (100 × 100 mm): 100 mm	White paper (300 × 300 mm): 1 m
Standard sensing object		Opaque: 12 mm (dia. min.)	Opaque: 75 mm (dia. min.)	---	
Hysteresis		---		20% max. of setting distance	
Directional angle		Both emitter and receiver: 3 to 15°	2 to 10°	---	
Light source (wave length)		Infrared LED (860 nm)	Red LED (680 nm)	Infrared LED (860 nm)	
Power supply voltage		12 to 24 VDC ±10% including 10% (p-p) max. ripple			
Current consumption		Emitter: 15 mA Receiver: 20 mA	30 mA max.		
Control output		100 mA max. at 26.4 VDC, open collector output (residual voltage: 1 V max.) L-ON/D-ON, switch selectable			
Circuit protection		Load short-circuit and reversed power supply protection	Reversed power supply connection, output short-circuit, and mutual interference protection		
Response time		1 ms max.			
Sensitivity adjustment		One-turn potentiometer			
Ambient illumination (receiver side)	Incandescent lamp	3,000 lux max.			
	Sunlight	10,000 lux max.			
Ambient temperature	Operating	-25°C to 55°C (-13°F to 131°F)			
	Storage	-40°C to 70°C (-40°F to 158°F) with no icing or condensation			
Ambient humidity	Operating	35% to 85%			
	Storage	35% to 95% with no condensation			
Insulation resistance		20 MΩ min. at 500 VDC			
Dielectric strength		1,000 VAC, 50/60 Hz for 1 min			
Vibration resistance		10 to 55 Hz, 1.5-mm double amplitude or 300 m/s ² for 2 hours each in X, Y, and Z axes			
Shock resistance	Destruction	500 m/s ² 3 times each in X, Y, and Z axes			
Enclosure rating		IP67 (IEC60529)			
Approvals		CE			
Connection method		2 m cable or M8 connector			
Indicator		Operation indicator (orange) Stability indicator (green) Emitter has power indicator (orange) only			
Weight (packed state)	Pre-wired cable (2 m)	Approx. 120 g (4.2 oz)	Approx. 65 g (2.3 oz)		
	Connector	Approx. 30 g (1.1 oz)	Approx. 20 g (0.7 oz)		
Material		Case: PBT (polybutylene terephthalate); Lens: Methacrylate resin			
Accessories		Instruction manual (Order Reflector and Mounting Bracket separately.)			

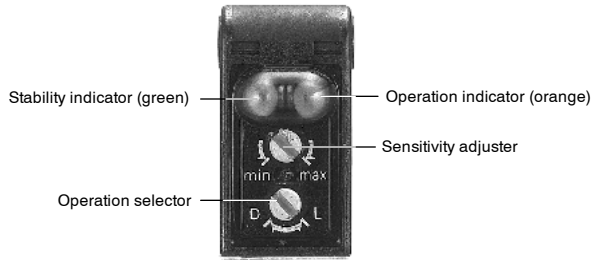
- Note:**
1. Sensing distance can be extended up to 4 meters when the E39-R1S reflector is used.
 2. Sensing distance can be extended up to 3 meters when the E39-R1 reflector is used.

Nomenclature

Through-beam Models
E3Z-T6□ Receiver

Retroreflective Models
E3Z-R6□

Diffuse-reflective Models
E3Z-D6□



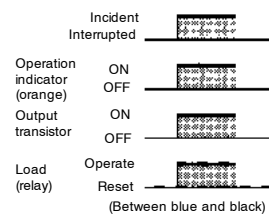
Operation

OUTPUT CIRCUITS

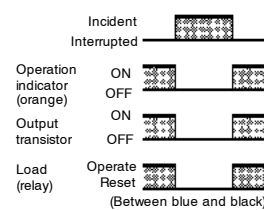
Model	E3Z-T61/-T66/-R61/-R66/-D61/-D66/-D62/-D67	
NPN output	Through-beam receiver Retroreflective model Diffuse reflective model	Through-beam emitter
Model	E3Z-T81/-T86/-R86/-D81/-D86/-D82/-D87	
PNP output	Through-beam receiver Retroreflective model Diffuse reflective model	Through-beam emitter
Connector pin arrangement	<p>Pin 2 is open.</p>	<p>Pins 2, 4 are open.</p>

TIMING CHARTS

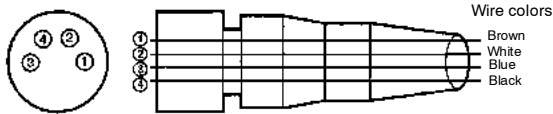
Light-ON (L-ON) Operation



Dark-ON (D-ON) Operation



CONNECTOR PIN-OUT



XS3F-M421-402-A XS3F-M421-405-A
XS3F-M422-402-A XS3F-M422-405-A

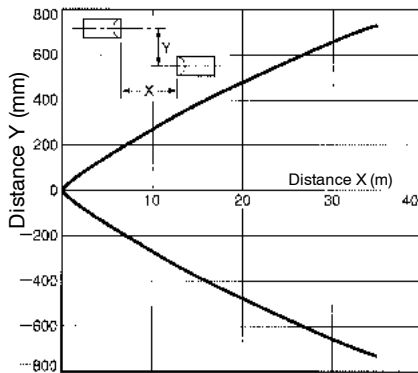
Classification	Wire color	Connector pin No.	Use
DC	Brown	A	Power supply (+V)
	White	B	Pin 2 is not used.
	Blue	C	Power supply (0 V)
	Black	D	Output

Note: The through-beam emitter does not use pins 2 and 4.

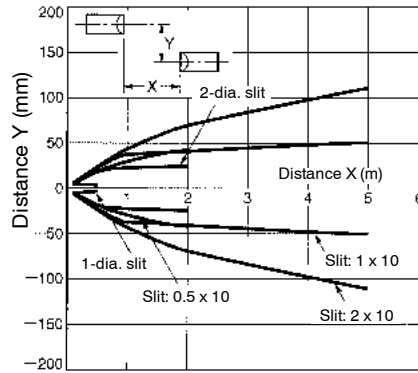
Engineering Data

PARALLEL OPERATING RANGE (TYPICAL)

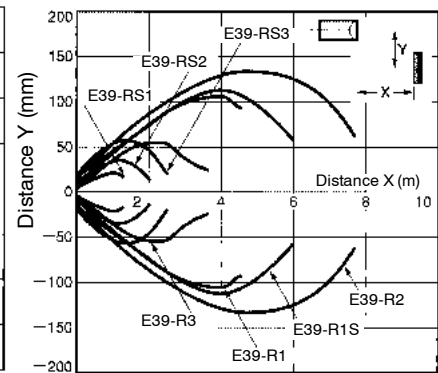
Through-beam Models
E3Z-T□1 (T□6)



Through-beam Models
E3Z-T□1 (T□6) and Slit

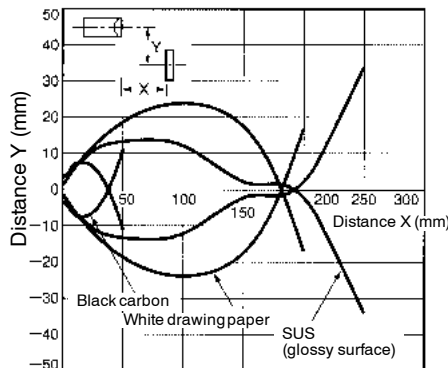


Retroreflective Models
E3Z-R□1 (R□6) and Reflector

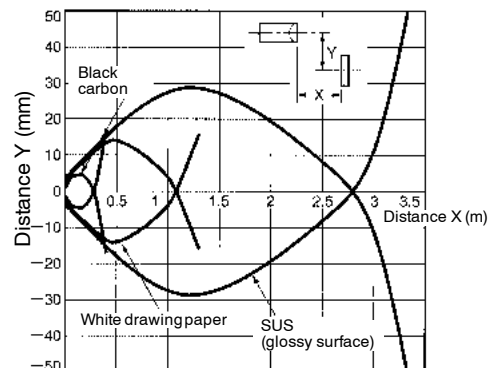


OPERATING RANGE (TYPICAL)

Diffuse Reflective Models
E3Z-D□1 (D□6)

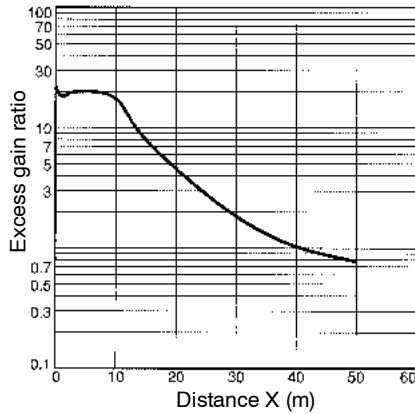


Diffuse Reflective Models
E3Z-D□2 (D□7)

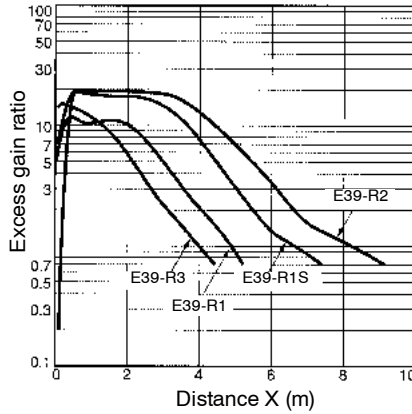


■ EXCESS GAIN RATIO VS. DISTANCE (TYPICAL)

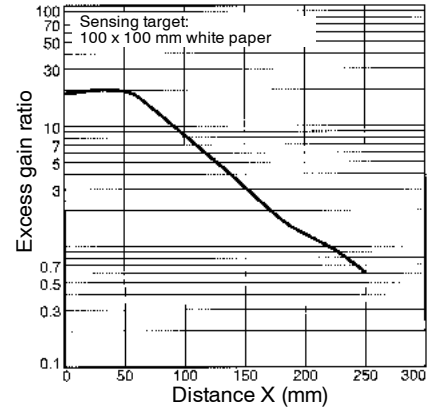
Through-beam Models
E3Z-T□1 (T□6)



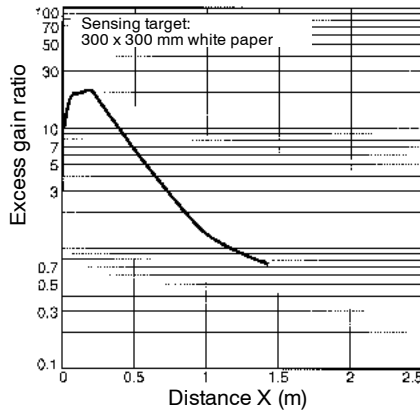
Retroreflective Models
E3Z-R□1 (R□6) and Reflector



Diffuse Reflective Models
E3Z-D□1 (D□6)

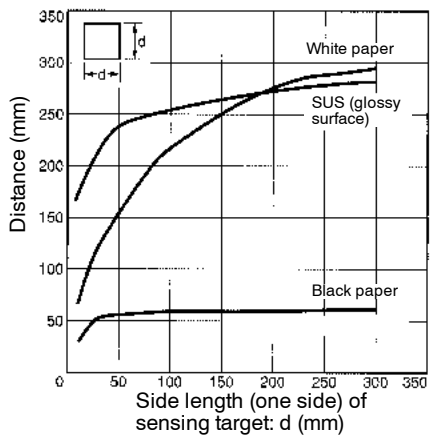


Diffuse Reflective Model
E3Z-D□2 (D□7)

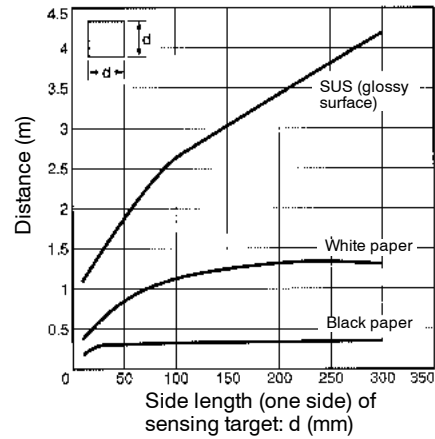


Sensing Target Size vs. Sensing Distance (Typical)

Diffuse Reflective Models
E3Z-D□1 (D□6)



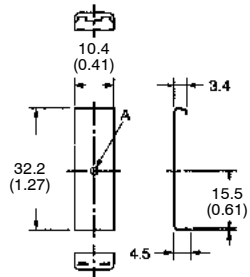
Diffuse Reflective Models
E3Z-D□2 (D□7)



Unit: mm (inch)

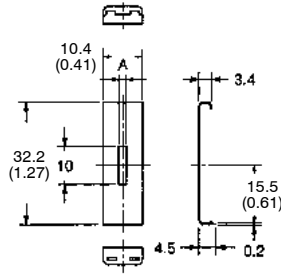
■ SLITS

E39-S65A
E39-S65B
E39-S65C



Model	Side A	Material
E39-S65A	0.5 dia.	SUS301 stainless steel
E39-S65B	1.0 dia.	
E39-S65C	2.0 dia.	

E39-S65D
E39-S65E
E39-S65F



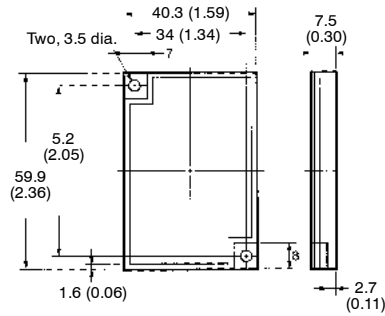
Model	Side A	Material
E39-S65D	0.5	SUS301 stainless steel
E39-S65E	1.0	
E39-S65F	2.0	

■ REFLECTORS

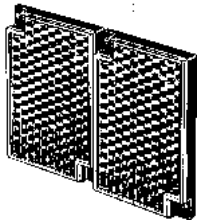
E39-R1
E39-R1S



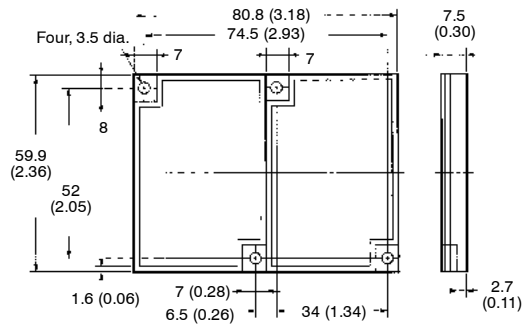
Material
Surface: Acrylic resin
Backside: ABS resin



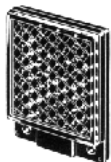
E39-R2



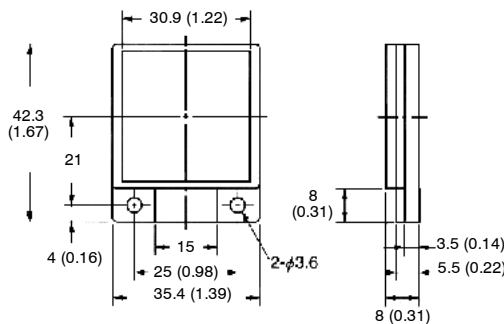
Material
Surface: Acrylic resin
Backside: ABS resin



E39-R9



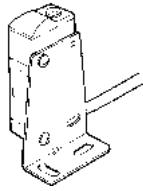
Material
Reflecting surface: Acrylic resin
Back: ABS resin



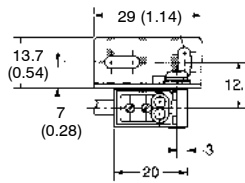
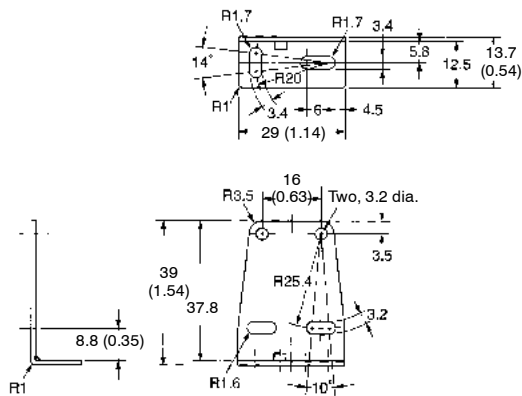
Unit: mm (inch)

■ MOUNTING BRACKETS

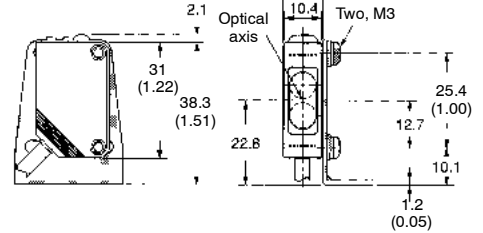
E39-L104



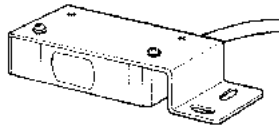
Material:
SUS304
stainless steel



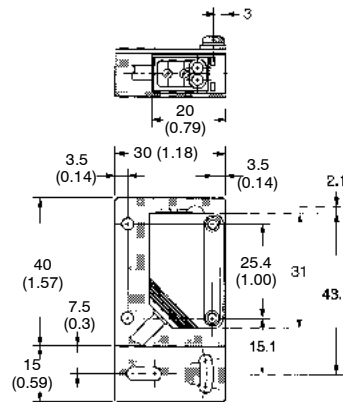
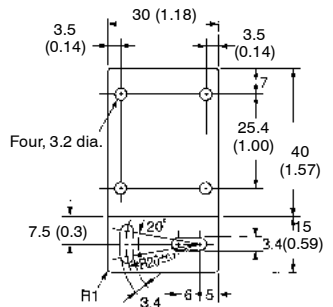
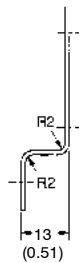
With Mounting Bracket
(E3Z-D62)



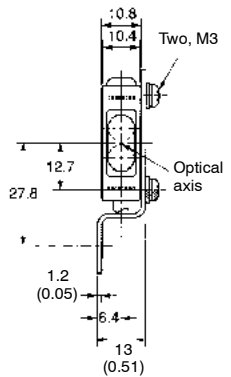
E39-L43



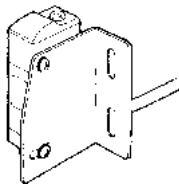
Material:
SUS304
stainless steel



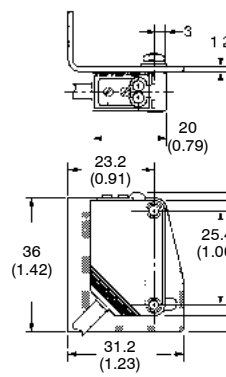
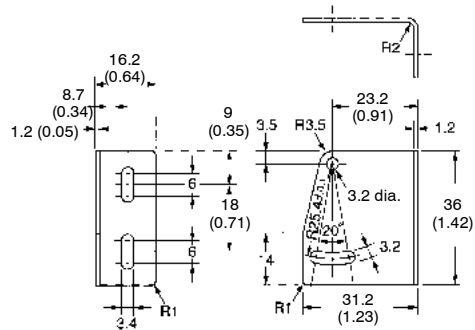
With Mounting Bracket
(E3Z-D62)



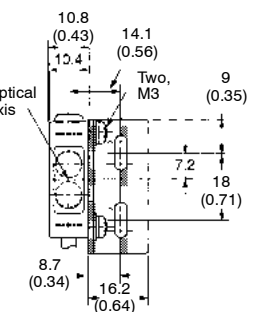
E39-L44



Material:
SUS304
stainless steel

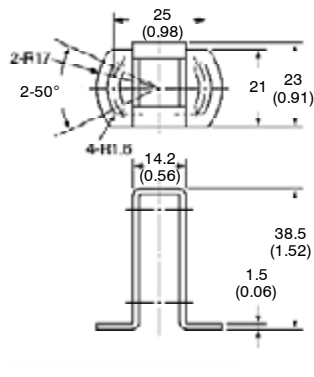


With Mounting Bracket
(E3Z-D62)

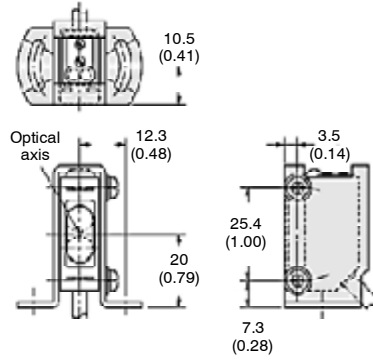


E39-L144

Material:
SUS304 stainless steel

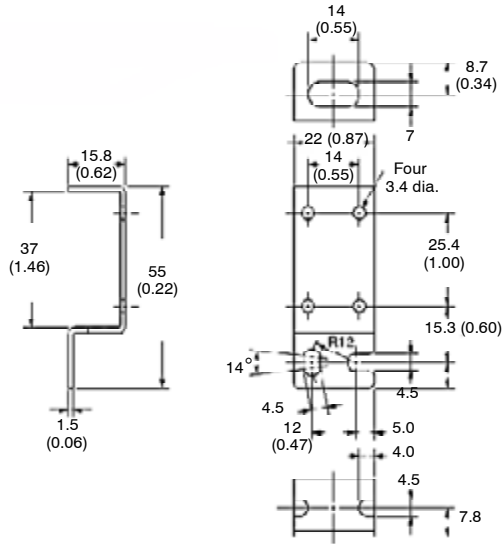


With Sensor
(Example: E3Z-L61)

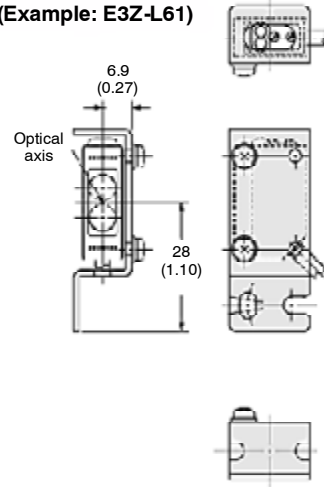


E39-L142

Material:
SUS304 stainless steel



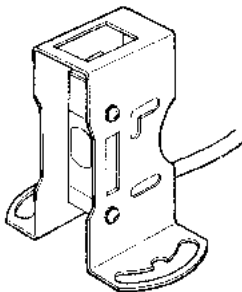
With Sensor
(Example: E3Z-L61)



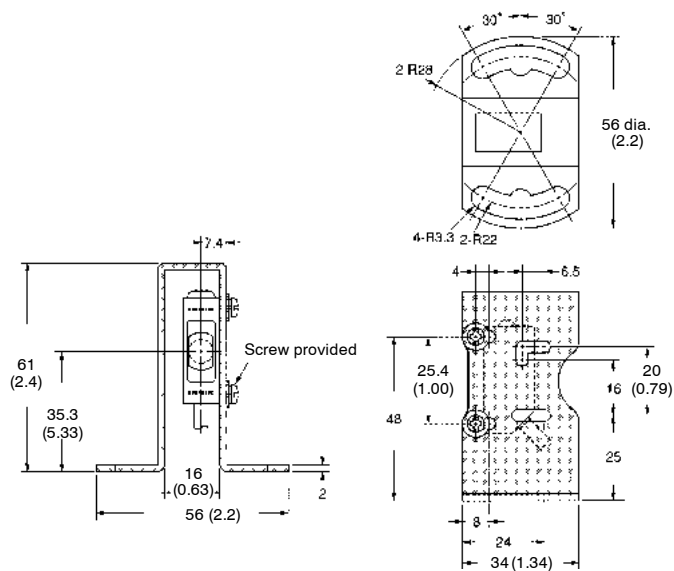
Unit: mm (inch)

E39-L93

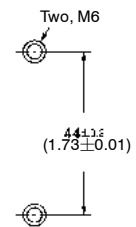
E39-L98



Material:
SUS304 stainless steel



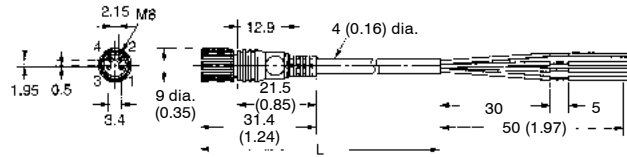
Mounting Holes



■ M8 CONNECTOR CORDSETS

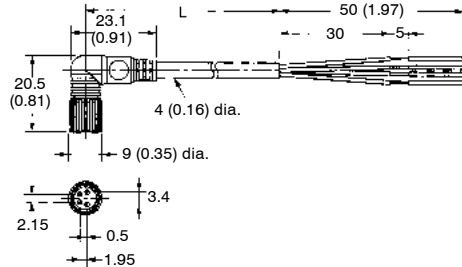
Straight

XS3F-M421-402-A (L=2 m)
XS3F-M421-405-A (L=5 m)



Right Angle

XS3F-M422-402-A (L=2 m)
XS3F-M422-405-A (L=5 m)



Precautions

To ensure safe sensor operation, please follow the following precautions:

■ WIRING

Power Supply Voltage

Make sure that the power supply to the Sensor is within the rated voltage range.

Load Short-circuiting

Do not short-circuit the load, or the Sensor may be damaged.

Polarity

Correct polarity wiring is required to prevent damage to the sensor.

Connection Without Load

Do not connect power supply to the Sensor with no load connected, or the internal elements may explode or burn.

■ OPERATING ENVIRONMENT

Do not use the Sensor in locations with explosive or flammable gas.

■ SETTINGS

Power Reset Time

The Sensor is ready to operate 100 ms after the Sensor is turned ON. If the load and Sensor are connected to independent power supplies respectively, be sure to turn ON the Sensor before turning the load ON.

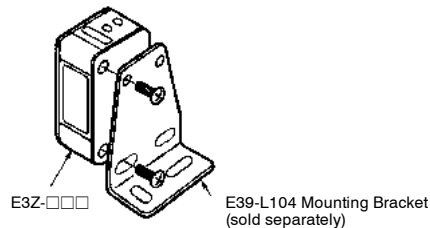
■ CONNECTIONS

M8 Metal Connector

- Turn off power before disconnecting the sensor.
- Remove the connector cover before connecting or disconnecting the metal connector.
- Secure the connector cover by hand. Do not use any pliers, or the connector may be damaged.
- The proper tightening torque range is between 0.3 and 0.4 N • m. Be sure to tighten the connector securely in order to maintain the the specified degree of protection and to keep the connector from loosening due to vibration.

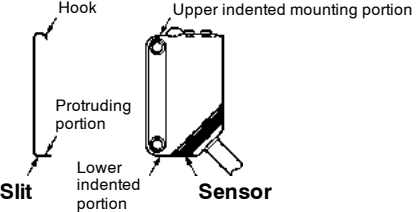
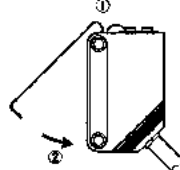
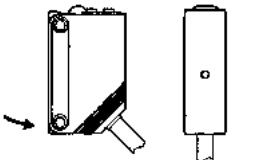
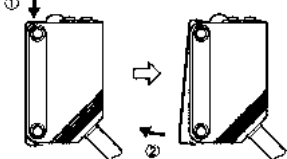
■ MOUNTING

Use M3 screws to mount the sensor and tighten each screw to a maximum torque of 0.53 N • m.



■ ADJUSTMENT

Slits for Through-beam Models (E39-S65A/B/C/D/E/F) Sold Separately

 <p>Hook Upper indented mounting portion Protruding portion Lower indented portion Slit Sensor</p>	
<p>Mounting Method</p> <ol style="list-style-type: none"> Hook the upper protruding portion of the Slit to the upper indented mounting portion of the Sensor and adjust the position of the Slit so that the Slit will be in parallel to the lens side of the Sensor. Press the lower protruding portion of the Slit onto the indented mounting portion of the Sensor until the Slit snaps in. 	
<p>Mounting Condition</p>	<p>Side View Front View</p> 
<p>Removal Method</p> <ol style="list-style-type: none"> Press the upper portion of the Slit. Disconnect the lower protruding portion of the Slit from the Sensor and remove the Slit. 	

NOTE: DIMENSIONS SHOWN ARE IN MILLIMETERS. To convert millimeters to inches divide by 25.4.

OMRON[®]
OMRON ELECTRONICS LLC
 One East Commerce Drive
 Schaumburg, IL 60173
1-800-55-OMRON

OMRON ON-LINE
 Global - <http://www.omron.com>
 USA - <http://www.omron.com/oei>
 Canada - <http://www.omron.com/oci>

OMRON CANADA, INC.
 885 Milner Avenue
 Scarborough, Ontario M1B 5V8
416-286-6465

NOTE: DIMENSIONS SHOWN ARE IN MILLIMETERS. To convert millimeters to inches divide by 25.4.

OMRON[®]

OMRON ELECTRONICS LLC

One East Commerce Drive
Schaumburg, IL 60173

1-800-55-OMRON

OMRON ON-LINE

Global - <http://www.omron.com>
USA - <http://www.omron.com/oei>
Canada - <http://www.omron.com/oci>

OMRON CANADA, INC.

885 Milner Avenue
Scarborough, Ontario M1B 5V8

416-286-6465