

RC ELEMENT, AC 240...400 V, SURGE SUPPRESSOR, FOR MOUNTING ONTO CONTACTORS FOR S2 AND S3



Figure similar

General technical data:		
product brandname		SIRIUS
Product designation		surge suppressor
Design of the surge suppressor		with RC elements
Control circuit/ Control:		
Type of voltage of the control supply voltage		AC
Control supply voltage frequency		
• 1 rated value	Hz	50
• 2 rated value	Hz	60
Control supply voltage 1		
• at AC		
— at 50 Hz Initial rated value	V	240
— at 50 Hz Final rated value	V	400
— at 60 Hz Final rated value	V	400
— at 60 Hz Initial rated value	V	240
Certificates/ approvals:		

General Product Approval			Functional Safety/Safety of Machinery	Declaration of Conformity	Test Certificates
--------------------------	--	--	---------------------------------------	---------------------------	-------------------



[Type Examination Certificate](#)



[Special Test Certificate](#)

Shipping Approval



Shipping Approval	other
-------------------	-------



[Confirmation](#)

[Environmental Confirmations](#)

[Miscellaneous](#)

Further information

Information- and Downloadcenter (Catalogs, Brochures,...)

<http://www.siemens.com/industrial-controls/catalogs>

Industry Mall (Online ordering system)

<http://www.siemens.com/industrymall>

Cax online generator

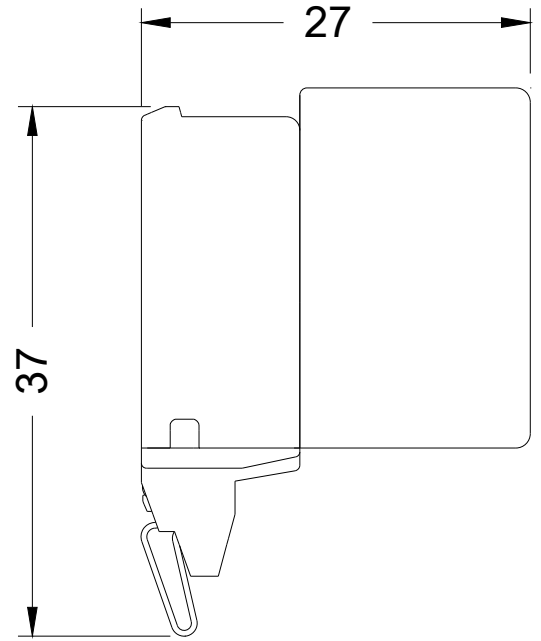
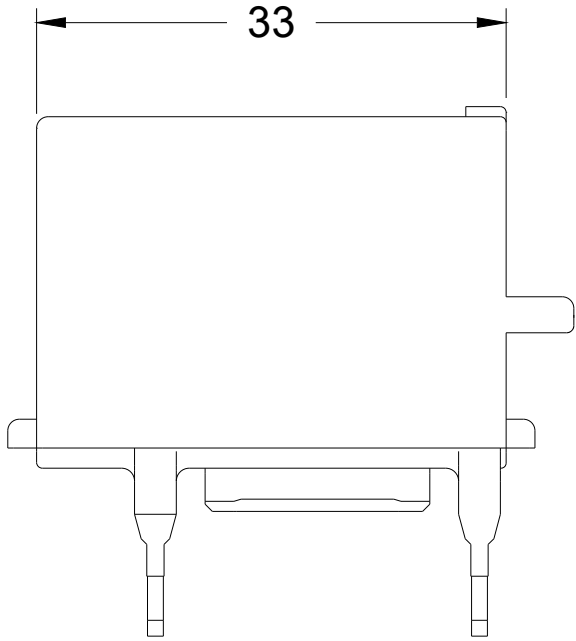
<http://support.automation.siemens.com/WW/CAXorder/default.aspx?lang=en&mlfb=3RT1936-1CE00>

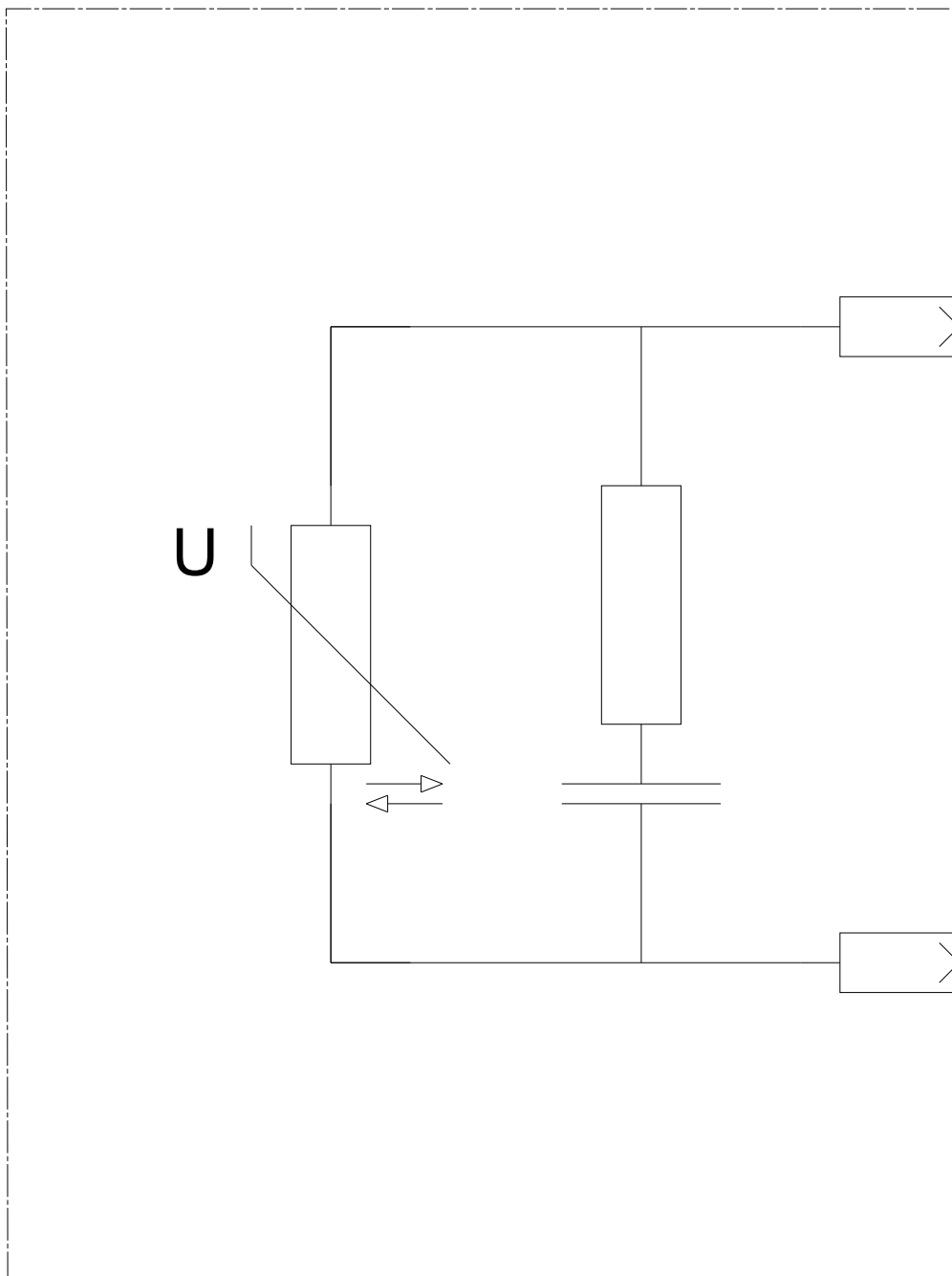
Service&Support (Manuals, Certificates, Characteristics, FAQs,...)

<https://support.industry.siemens.com/cs/ww/en/ps/3RT1936-1CE00>

Image database (product images, 2D dimension drawings, 3D models, device circuit diagrams, EPLAN macros, ...)

http://www.automation.siemens.com/bilddb/cax_de.aspx?mlfb=3RT1936-1CE00&lang=en





last modified:

07/03/2017