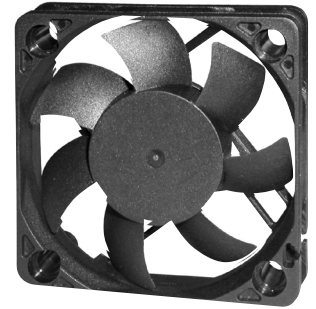


# DC AXIAL FAN

JAMICON®

50X50X10 mm

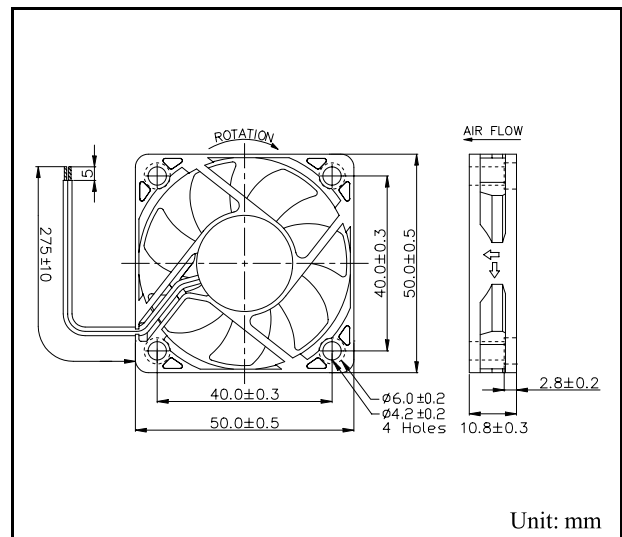
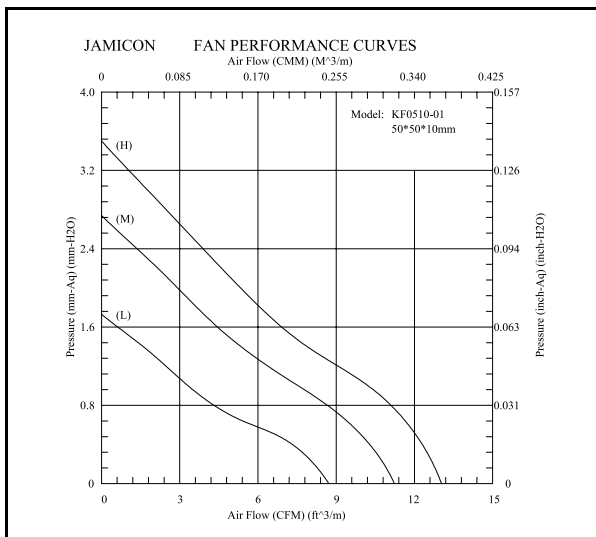
KF0510-01 Series



- **Frame** : Plastic Material UL 94V-0
- **Impeller** : Plastic Material UL 94V-0
- **Speed Range** : ±10%

SPECIFICATIONS											
Model	Bearing	Rated Voltage (V)	Operating Voltage (V)	Air Flow (CFM)	Static Pressure (inchH <sub>2</sub> O)	Speed (R.P.M.)	Input Current (Amp)	Input Power (Watt)	Nominal Power (Watt)	Noise (dBA)	Weight (g)
KF0510B5H	Dual Ball	5	4.25~5.75	13.04	0.138	5200	0.22	1.10	1.1	29.0	17
KF0510B5M				11.23	0.108	4500	0.14	0.70	0.9	26.2	
KF0510B5L				8.72	0.068	3500	0.09	0.45	0.6	21.2	
KF0510S5H	Sleeve			13.04	0.138	5200	0.23	1.15	1.1	29.0	
KF0510S5M				11.23	0.108	4500	0.15	0.75	1.1	26.2	
KF0510S5L				8.72	0.068	3500	0.10	0.50	0.7	21.2	
KF0510B1H	Dual Ball	12	10.2~13.8	13.04	0.138	5200	0.11	1.32	1.6	29.0	
KF0510B1M				11.23	0.108	4500	0.07	0.84	0.8	26.2	
KF0510B1L				8.72	0.068	3500	0.05	0.60	0.7	21.2	
KF0510S1H	Sleeve			13.04	0.138	5200	0.12	1.44	1.9	29.0	
KF0510S1M				11.23	0.108	4500	0.09	1.08	1.0	26.2	
KF0510S1L				8.72	0.068	3500	0.06	0.72	0.8	21.2	
KF0510B2H	Dual Ball	24	20.4~27.6	13.04	0.138	5200	0.06	1.44	1.7	29.0	
KF0510B2M				11.23	0.108	4500	0.05	1.20	1.5	26.2	
KF0510B2L				8.72	0.068	3500	0.04	0.96	1.3	21.2	
KF0510S2H	Sleeve			13.04	0.138	5200	0.06	1.44	1.7	29.0	
KF0510S2M				11.23	0.108	4500	0.05	1.20	1.5	26.2	
KF0510S2L				8.72	0.068	3500	0.04	0.96	1.3	21.2	

Specifications subject to change without notice



Unit: mm