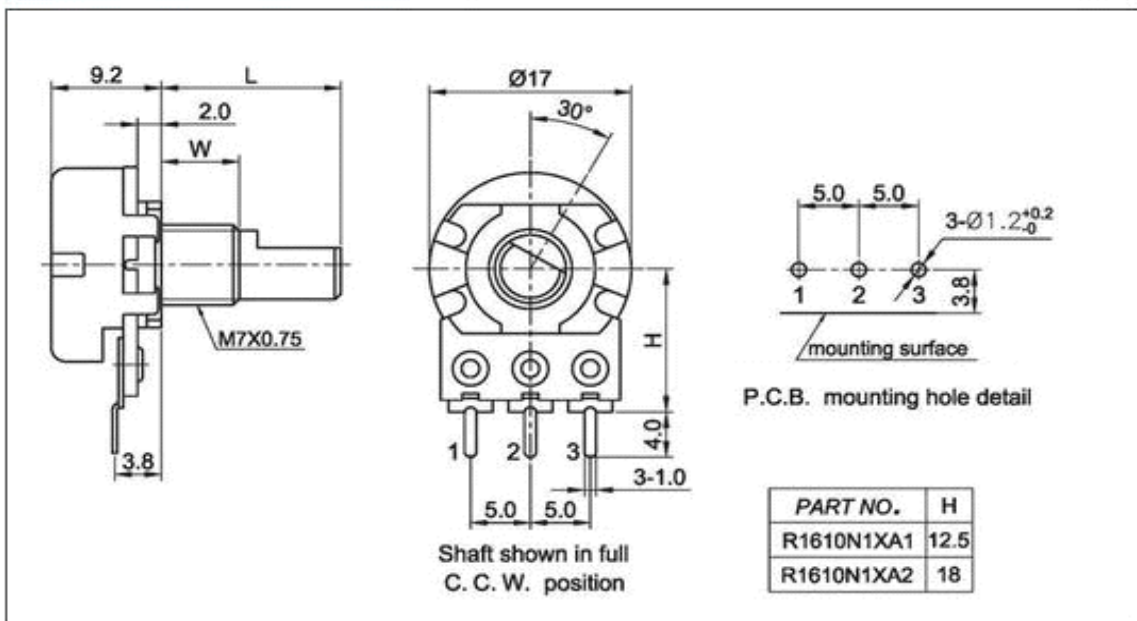
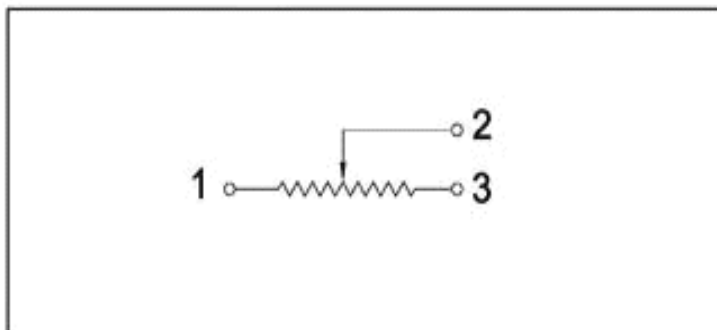


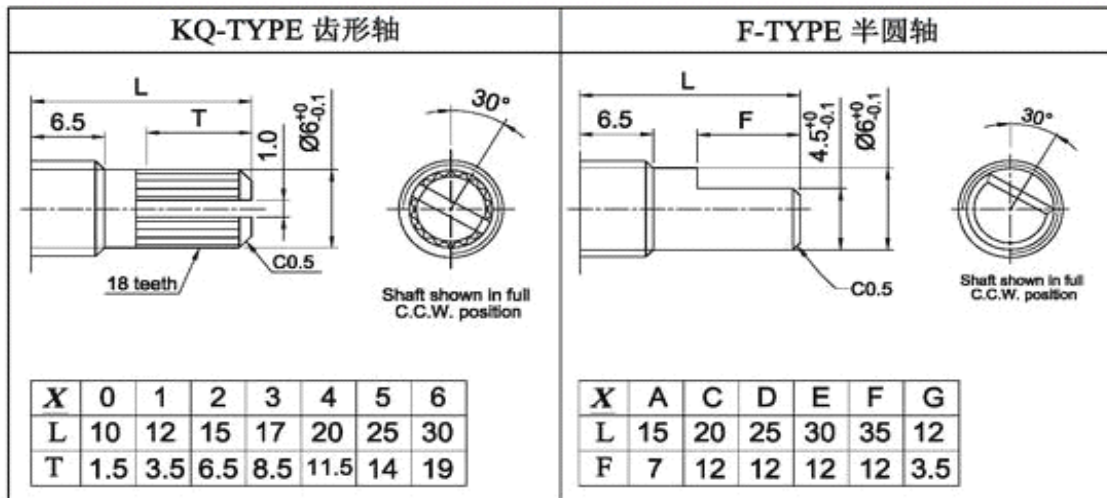
Dimensions 尺寸图



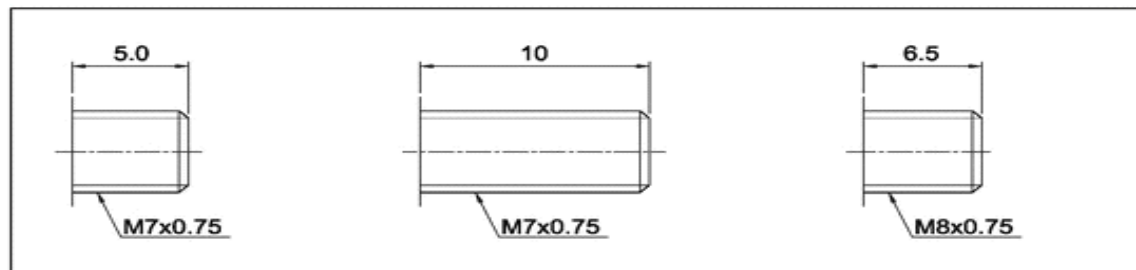
Circuit explanation 电路说明



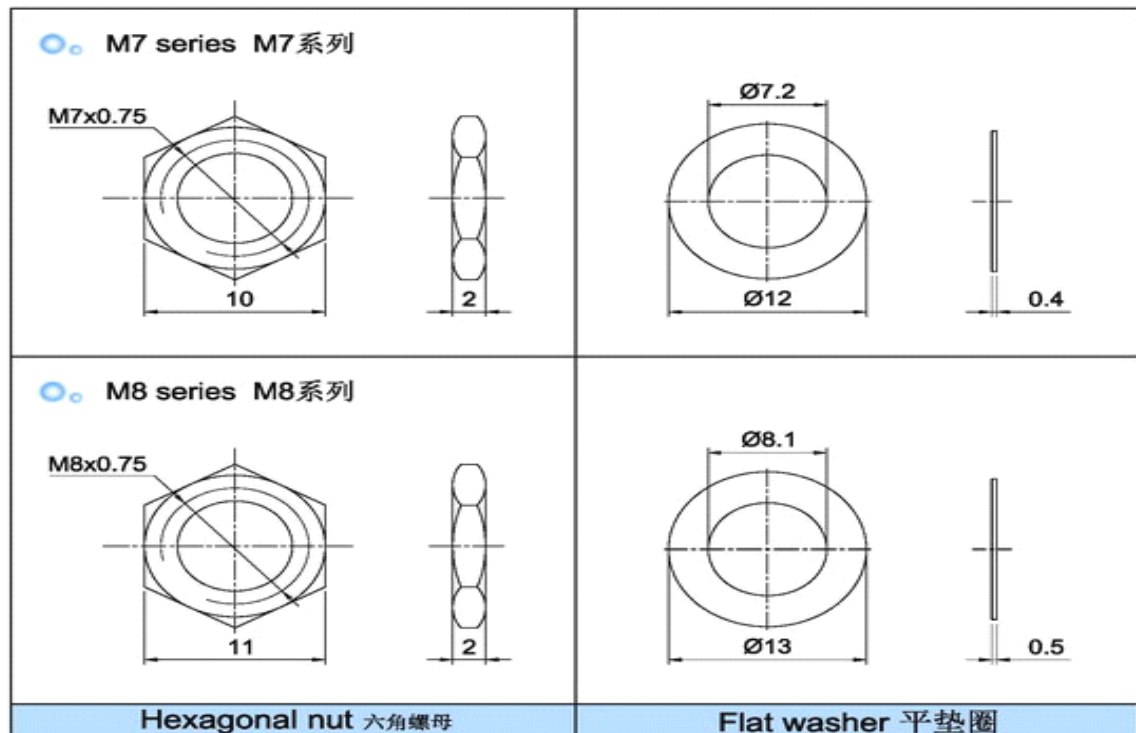
■ Type of shaft 轴心形式



■ Type of Bush 轴套形式



■ Attached Parts 附加零件



Specification 規格參數

Mechanical characteristics 機械性能	
Total Rotational Angle 旋轉角度	300°±10°
Rotational Torque 旋轉力矩	10~200 gf.cm
Rotation Stopper Strength 止擋強度	6.0kgf.cm Min
Push Pull Strength 軸推拉強度	8.0kgf.cm
Click Position 定位點位置	Center, 7/11/21/41 Detent
Click Torque 定位點力矩	50~150gf.cm
Electrical characteristics 電氣性能	
Total Resistance 總阻值	10KΩ~1MΩ
Total Resistance Tolerance 總阻值容許公差	±20% (more than 1MΩ ±30%)
Power Rating 負載功率	Curve B:0.05W, other than B: 0.025W
Max. Operating Voltage 最高使用電壓	Curve B:50V DC, other than B: 25V AC
Residual Resistance 殘留電阻	R≥250KΩ 0.1 % max. of total resistance 250KΩ>R>10KΩ 20Ω max. 10KΩ≥R 10Ω max.
Insulation Resistance 絕緣電阻	More than 100MΩ at DC 250V 1 minute
Withstand Voltage 耐電壓	1 minute at AC 250V
Rotational Noise 旋轉雜音	Less than 100mV
Durability 耐久性能	
Rotational Life 旋轉壽命	10, 000 cycles