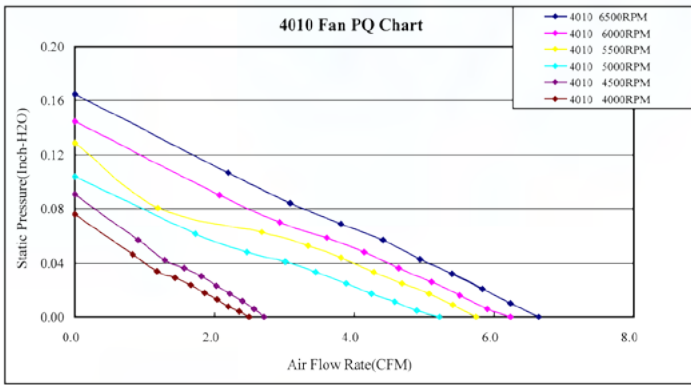


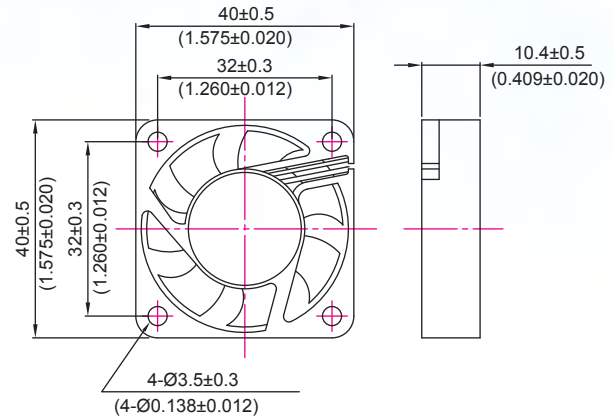
4010 series 40x40x10 mm



P&Q Curve



Dimensions Drawing



UNIT:MM/(INCH)

Specifications

Model	Rated Voltage (VDC)	Rated Current (AMP)	Power Consumption (WATTS)	Speed Reference (RPM)	Air Flow (CFM)	Static Pressure (Inch-H ₂ O)	Noise (dBA)
EC4010HH05X	5	0.18	0.9	6000	6.24	0.15	<25
EC4010H05X	5	0.14	0.7	5500	5.75	0.13	<23
EC4010M05X	5	0.12	0.6	5000	5.22	0.1	<21
EC4010L05X	5	0.1	0.5	4500	4.27	0.09	<19
EC4010LL05X	5	0.08	0.4	4000	3.78	0.08	<17
EC4010TH12X	12	1.2	1.44	6500	6.64	0.16	<26
EC4010HH12X	12	0.1	1.2	6000	6.24	0.15	<25
EC4010H12X	12	0.08	0.96	5500	5.75	0.13	<23
EC4010M12X	12	0.07	0.84	5000	5.22	0.1	<21
EC4010L12X	12	0.05	0.6	4500	4.27	0.09	<19
EC4010LL12X	12	0.04	0.48	4000	3.78	0.08	<17
EC4010SL12X	12	0.03	0.36	3500	2.96	0.06	<16

- ▶ Material:impeller & Frame:Plastic(UL 94V-0)
- ▶ Lead Wires:
UL 1007 AWG #28 Or Equivalent
Red Wire Positive(+), Black Wire Negative(-), Yellow Wire Or Blue Wire Signal(FG)
- ▶ Function type is optional.

- ▶ The max air flow and the speed are measured in free air; max air pressure is measured at zero air flow.
- ▶ Noise is measured in anechoic chamber in free air, one meter from intake side.
- ▶ All readings are typical values at rated voltage.
- ▶ Specifications are subject to change without notice.
- ▶ Additional special function may be added according the requirement of customer.