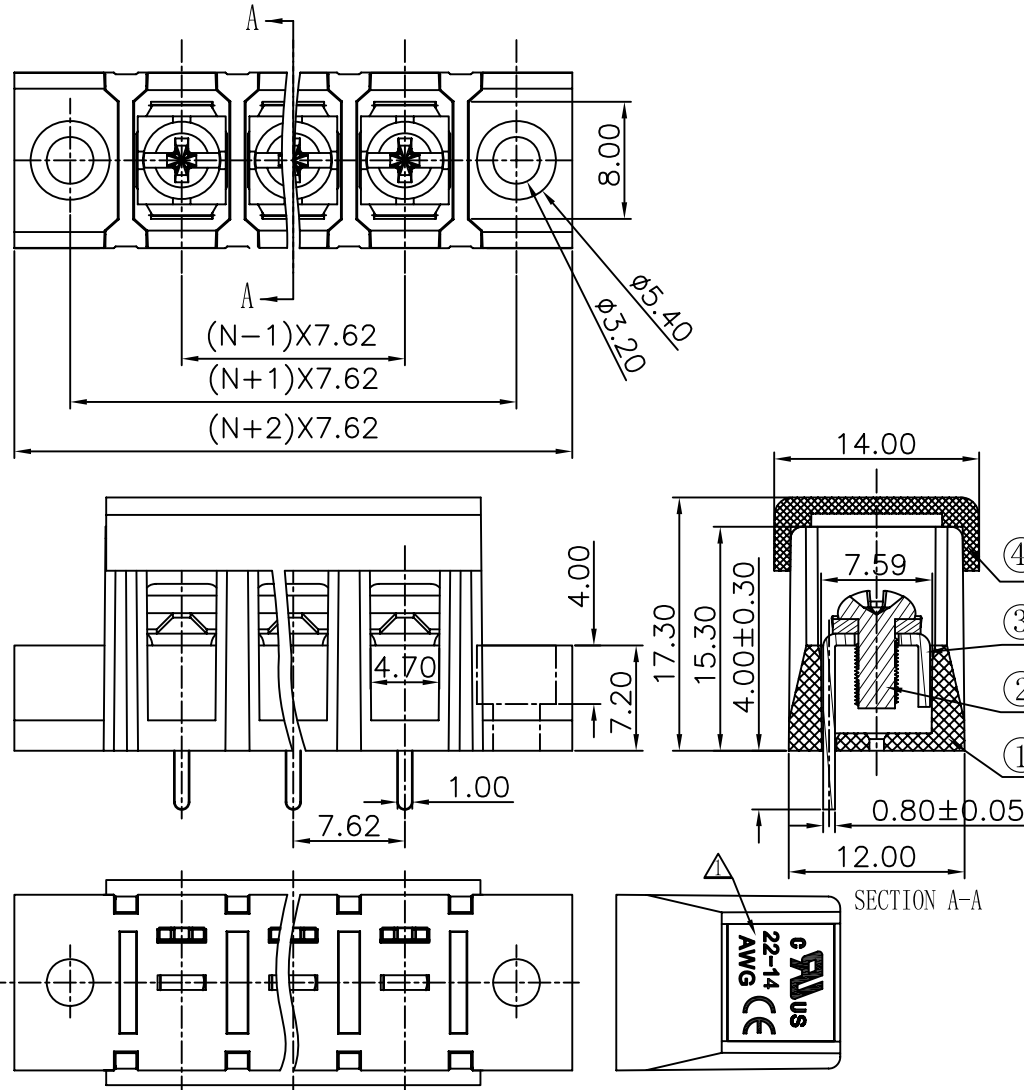


REVISION RECORD				
REV	ECO	DESCRIPTION	DRFT	DATE
△		增加UL刻字	CSX	03/21/07
△		品名、料号增加环保标识“(H)”	YeJ	12/08/07



Notes:

1. Pitch: 7.62mm, Poles: 2-24P
2. Rated current: 15A
3. Rated voltage: 300V
4. Operation temperatures: -40° C ~ +105° C
5. Insulation Withstand Voltage: AC2000V/Min
6. Insulation Resistance: 500MΩ / DC500V
7. Wire Range: 22~14AWG
8. Max. Torque Value: 5.1kgf.cm
9. Undimensioned Tolerances:

Pitch range in mm		Nominal dimension range in mm						
to 6	over 6 to 10	over 10 to 24	over 24 to 30	over 30 to 60	over 60 to 100	over 100 to 150	over 150	∩
±0.10	±0.15	±0.25	±0.2	±0.3	±0.5	±0.7	±1.0	□

4	DG28-Cover	5006C07XXA (H)	1	PC	
3	DG28S Pin header	5006B00040 (H)	XX	Brass	SnCe plated
2	M3*6 (6*6) bright Screws	S000000450 (H)	XX	Steel	Ni plated

1	DG28-A-本体	5006MOYXXA (H)	1	PA66+23%GF	UL94V-0														
ITEM	NAME OF PART	NO. OF PART	Q'TY	MATERIAL	NOTES														
<table border="1"> <tr> <td>MM (INCH)</td> <td>DFTO Zhuwm</td> <td>DATE 03/13/06</td> </tr> <tr> <td>TOLERANCES EXCEPT AS NOTED</td> <td>CHKD</td> <td>DATE</td> </tr> <tr> <td></td> <td>MFO</td> <td>DATE</td> </tr> <tr> <td></td> <td>APPVL</td> <td>DATE</td> </tr> <tr> <td colspan="3">MATERIAL :</td> </tr> </table>		MM (INCH)	DFTO Zhuwm	DATE 03/13/06	TOLERANCES EXCEPT AS NOTED	CHKD	DATE		MFO	DATE		APPVL	DATE	MATERIAL :			<p>DEGSON® 宁波高正电子有限公司 DEGSON ELECTRONICS CO., LTD</p> <p>NAME DG28S-A-XXP-1Y-00A (H)</p>		
MM (INCH)	DFTO Zhuwm	DATE 03/13/06																	
TOLERANCES EXCEPT AS NOTED	CHKD	DATE																	
	MFO	DATE																	
	APPVL	DATE																	
MATERIAL :																			
<table border="1"> <tr> <td>MM</td> <td>±</td> </tr> <tr> <td>.00 ±</td> <td>±</td> </tr> <tr> <td>.000 ±</td> <td>±</td> </tr> </table>		MM	±	.00 ±	±	.000 ±	±	G.E :		DRAWING NO. DG28S-E01									
MM	±																		
.00 ±	±																		
.000 ±	±																		
ANGLES ± 1°		FINISH :		SIZE A3															
THIRD ANGLE PROJECTION		SCALE : 1:1		REV T2 12/08/07															
DO NOT SCALE DRAWING				SHEET 1 OF 1															