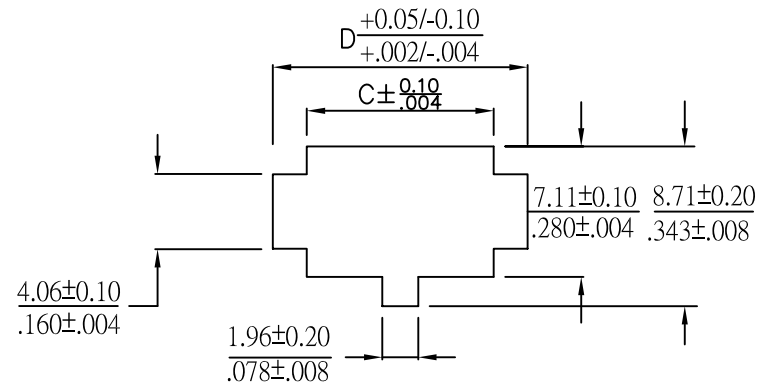
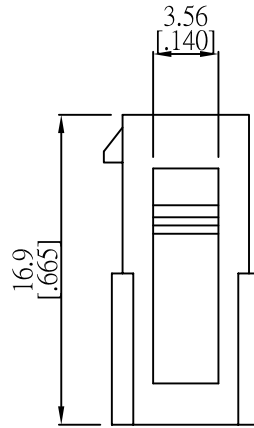
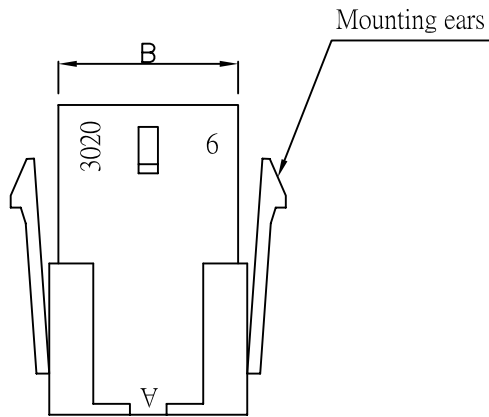
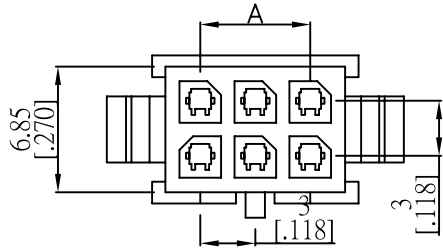


WW300-F2xN(N=1-12P)  
 WW300-F2xN(E)(N=1-12P)

Dual Row Plug Housing

- \* Available in 2 thru 24 circuits
- \* Material:UL 94V-0
- \* Standard color:Black
- \* Accepts WW300-MT series terminals
- \* Mates with WW300-M2xN series housing
- \* Recommended panel thickness:1.57mm



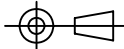
PANEL OPENING

Dimensional Information-in(mm)

CIRCUITS	Dim.A	Dim.B	Dim.C	Dim.D	CIRCUITS	Dim.A	Dim.B	Dim.C	Dim.D
2		0.157(4.0)	0.166(4.21)	0.311(7.90)	14	0.709(18.0)	0.866(22.0)	0.874(22.20)	1.019(25.88)
4	0.118(3.0)	0.276(7.0)	0.284(7.21)	0.429(10.90)	16	0.827(21.0)	0.984(25.0)	0.992(25.20)	1.137(28.88)
6	0.236(6.0)	0.394(10.0)	0.402(10.21)	0.547(13.89)	18	0.945(24.0)	1.102(28.0)	1.110(28.20)	1.255(31.88)
8	0.354(9.0)	0.512(13.0)	0.520(13.21)	0.665(16.89)	20	1.063(27.0)	1.220(31.0)	1.229(31.22)	1.373(34.87)
10	0.472(12.0)	0.630(16.0)	0.638(16.21)	0.783(19.89)	22	1.181(30.0)	1.339(34.0)	1.347(34.22)	1.491(37.87)
12	0.591(15.0)	0.748(19.0)	0.756(19.21)	0.901(22.89)	24	1.299(33.0)	1.457(37.0)	1.465(37.22)	1.609(40.87)

Ordering Information

Part No.	Feature
WW300-F2xN(E)	With mounting ears
WW300-F2xN	Without mounting ears

Rev	Description/Date	Drawn By: Storm.li	Customer:	Third angle projection	 X.± .X±0.40 .XX±0.30 .XXX±
△	Sample/Oct.21.2006	Checked By:Simmon	Part No.: WW300-F2xN(E)	General Dimension Tolerance	
△		Approved By: Tony	Title: Dual Row Female Housing		
SGS Report No.:					