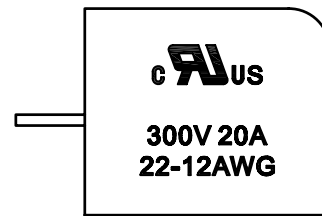
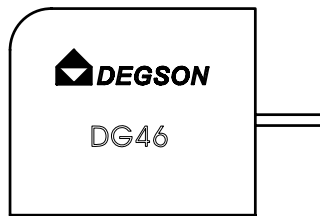
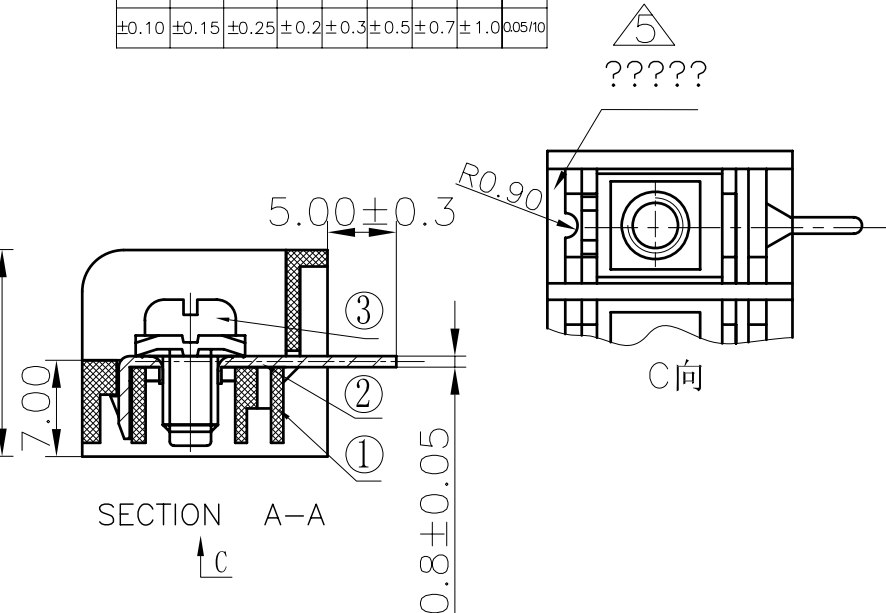
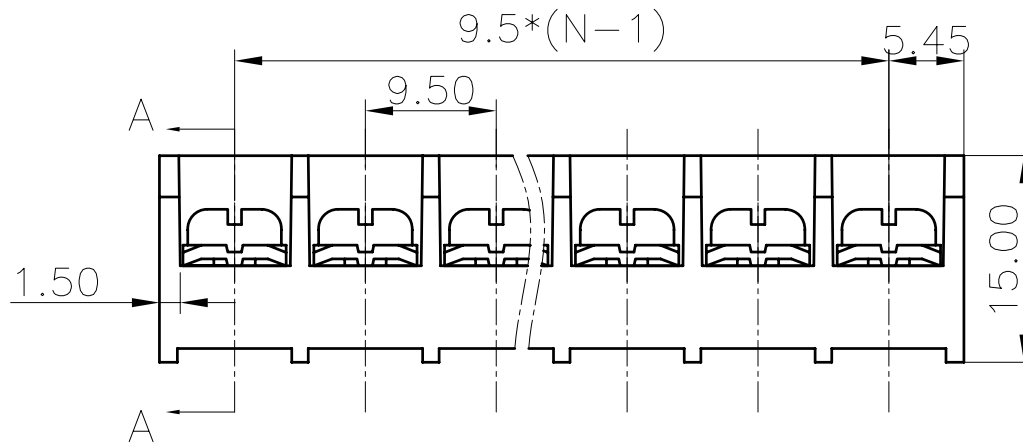
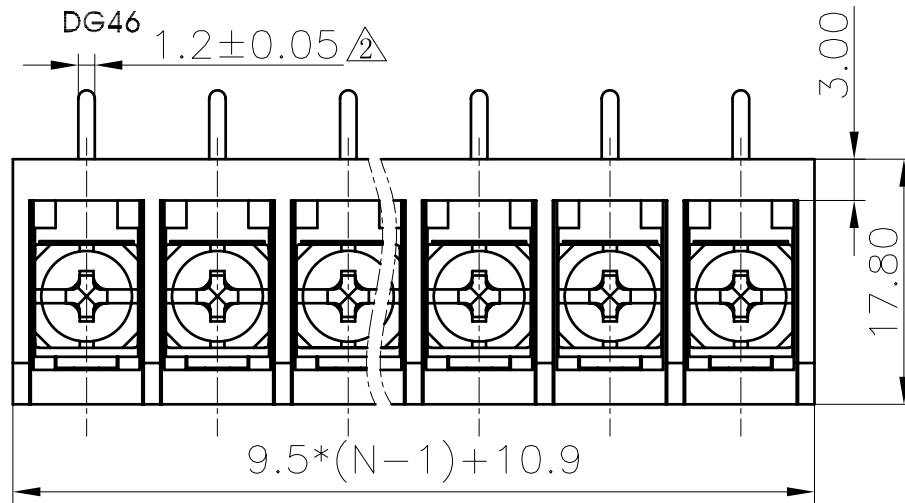


REVISION RECORD					
REV	ECO	DESCRIPTION	DRFT	DATE	
2		脚宽由1.5±0.05变更为1.2±0.05	HW	08/01/09	
3		产品名称由DG46B变更为DG46R	WF	2/21/06	
4		品名、料号增加环保标识“(H)”	Ye j	12/08/07	
5		增加R0.9半圆柱特征	Mickey	06/04/09	

NOTE:

1. Pitch:9.5mm ,Poles:2p-26p;
2. Rated: 300V/20A;
3. Temp. Range: -40° C ~+105° C;
4. Withstand Voltage: AC2000V/1Min;
5. Wire Range: 22-12AWG;
6. Insulation Resistance: 500MΩ /DC500V;
7. Max.Torque Value: 12.24Kgf.cm
8. Undimensioned Tolerances:

Pitch range in mm		Nominal dimension range in mm						—
to 6	over 6 to 10	over 10 to 24	over 30 to 30	over 60 to 60	over 100 to 100	over 150 to 150	∩	
±0.10	±0.15	±0.25	±0.2	±0.3	±0.5	±0.7	∇	
							±1.0 <sup>0.05/10</sup>	



1	DG46R-B-Housing	5012A0YXXA (H)	1	PA66	UL94V-0
ITEM	NAME OF PART	NO. OF PART	Q'TY	MATERIAL	NOTES
TOLERANCES EXCEPT AS NOTED		DFTO jean	DATE 08/23/04	宁波高正电子有限公司 DEGSON ELECTRONICS CO., LTD	
MM (INCH)		CHKD	DATE	NAME	
.00 ±		MFO	DATE	DG46R-B-XXP-1Y-00A(H)	
.000 ±		APPVL	DATE	DRAWING NO. DG46R-E01	
MATERIAL :		G.E :		SIZE A3	
ANGLES ± 1°		FINISH :		REV T5	
THIRD ANGLE PROJECTION		SCALE : 1:1		06/05/09	
DO NOT SCALE DRAWING			SHEET 1 OF 1		

3	M4*8 (7.5*7.5) bright screws	S000000570 (H)	XX	Steel	Ni plated
2	DG46R level Pin header	5012B00010 (H)	XX	Brass	SnCe