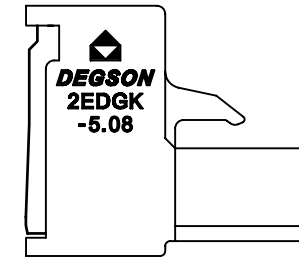
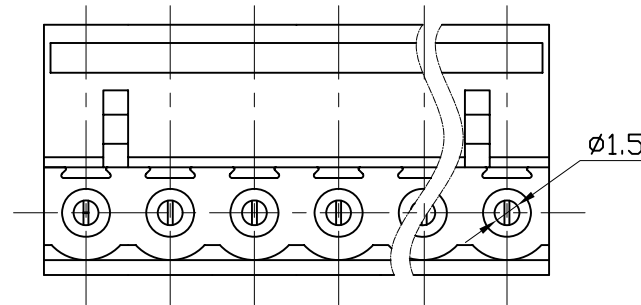
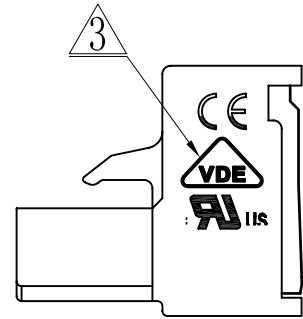
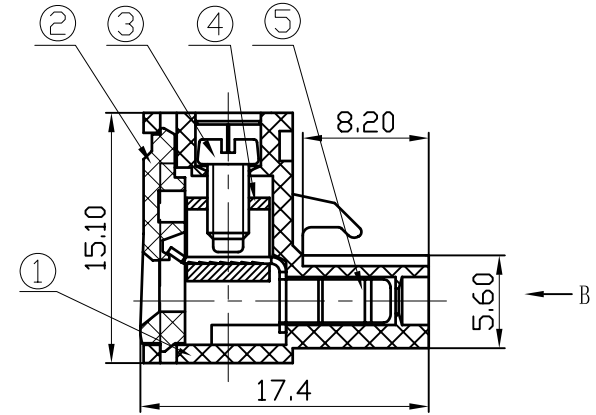
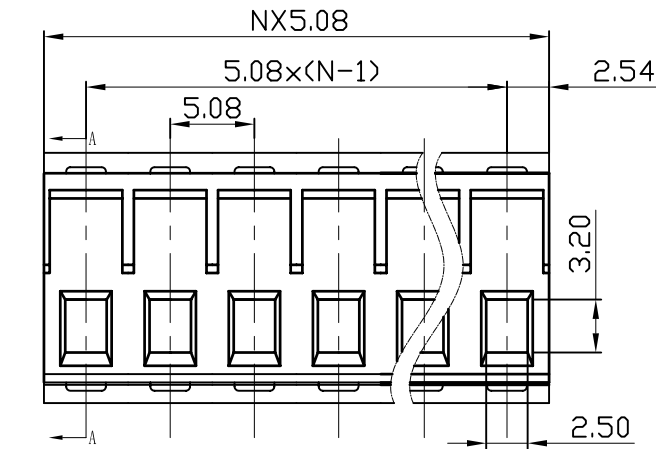


REVISION RECORD				
REV	ECD	DESCRIPTION	DRFT	DATE
⚠		Drawing emend	WF	12/13/05
⚠		增加VDE、CE认证标志	LJH	01/14/08



Notes:

- Pitch: 5.08mm Poles:2-24p
- Rated voltage/current:UL 300V/15A  
VDE 320V/20A
- Insulation resistance: 5000MΩ/1000V
- Withstanding voltage: AC1500V/1Min
- Wire range: 28-12AWG 2.5mm<sup>2</sup>
- Temp. Range: -40° C~+105° C
- Torque: 4.08kgf.cm(3.5Lb.in)
- Undimensioned Tolerances:

Pitch range in mm			Nominal dimension range in mm					
to	over	to	to	over	over	over	over	
6	6	10	30	30	60	100	150	∩
6	10	24	30	60	100	150	150	∩
±0.10	±0.15	±0.25	±0.2	±0.3	±0.5	±0.7	±1.0	0.05/10

5	2EDG Clamp	1005B00010(H)	XX	Phospor bronze	Ni plated
4	DG128 Brass cage	X000000020(H)	XX	Brass	Ni plated
3	2EDG "—"Screws-M2.5	S000001370(H)	XX	Steel	Cr <sup>3+</sup> Zn
2	2EDGK-5.08-Cover	1005C0YXXA(H)	1	PA66	UL94V-0

1	2EDGK-5.08-Housing	1005A0YXXA(H)	1	PA66	UL94V-0
ITEM	NAME OF PART	NO.OF PART	Q"TY	MATERIAL	NOTES
TOLERANCES EXCEPT AS NOTED		DF TO Haoyh	DATE 04/18/05	宁波高正电子有限公司 DEGSON ELECTRONICS CO., LTD NAME 2EDGK-5.08-XXP-1Y-00A(H) DRAWING NO. 2EDGK-5.08-E08 7/PART NO. SIZE A3 REV T3 01/14/08	
MM (INCH)		CHKD	DATE		
.0 ±		MFD	DATE		
.00 ±		APPVL	DATE		
.000 ±		MATERIAL :		G.E :	
ANGLES ± 1°		FINISH:		SCALE : 1:1	
THIRD ANGLE PROJECTION		DO NOT SCALE DRAWING		SHEET 1 OF 1	