



Electrochemical Carbon Monoxide Sensor (Model:ME2-CO-Φ14x50-C)

Manual

Version: 1.0

Valid from: 2016-11-20

Zhengzhou Winsen Electronics Technology Co., Ltd

ME2-CO-Φ14x50-C Carbon Monoxide sensor

ME2-CO-Φ14x50-C electrochemical sensor detect gas concentration by measuring current based on the electrochemical principle, which utilizes the electrochemical oxidation process of target gas on the working electrode inside the electrolytic cell, the current produced in electrochemical reaction of the target gas are in direct proportion with its concentration while following Faraday law, then concentration of the gas could be get by measuring value of current.

Features

- * Low consumption
- * High precision
- * High sensitivity
- * Wide linear range
- * Good anti-interference ability
- * Excellent repeatability and stability



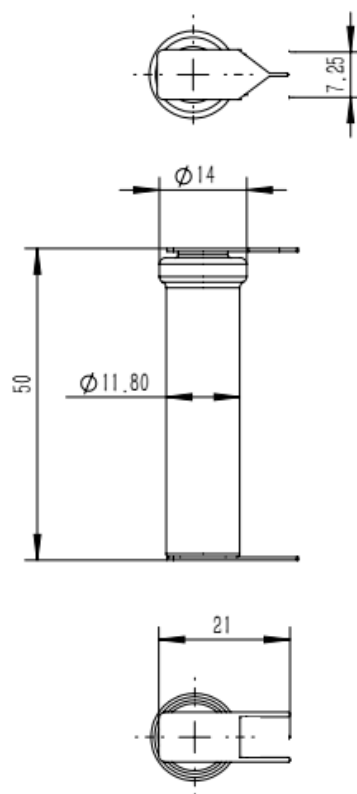
Application

Widely used in commercial and residential occasion to detect CO concentration.

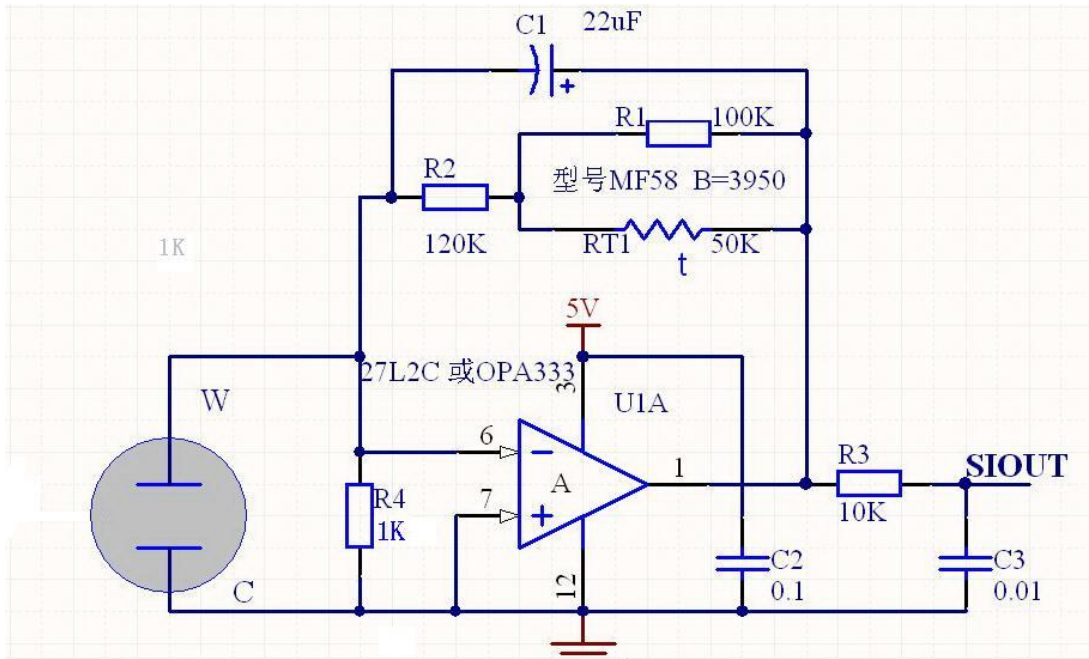
Technical Parameter

Detection gas	CO
Measurement Range	0~1000ppm
Max detecting concentration	2000ppm
Sensitivity	(1~3) nA/ppm
Resolution ratio	1ppm
Response time (T ₉₀)	≤30S
Load resistance (recommended)	1000Ω
Repeatability	<3% output value
Output Linearity	linear
Zero drift (-20°C~40°C)	≤10ppm
Storage temperature	-20°C~50°C
Storage Humidity	15%~90% RH
Pressure range (kPa)	90-110% standard atmosphere
Anticipated using life	5 years

4. External dimension

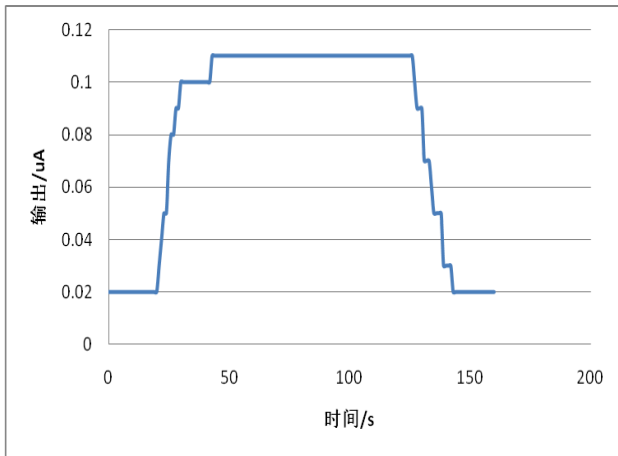


Basic circuit.

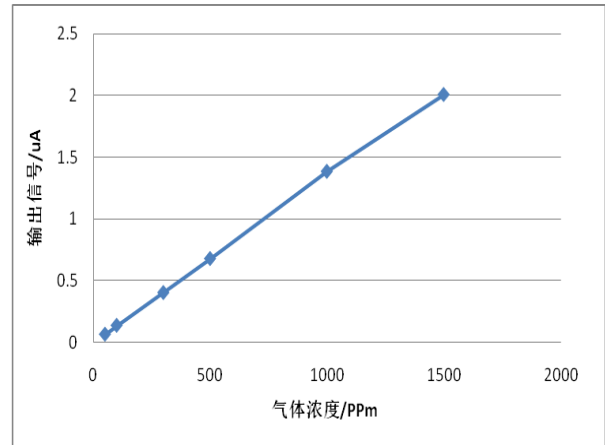


Characterization

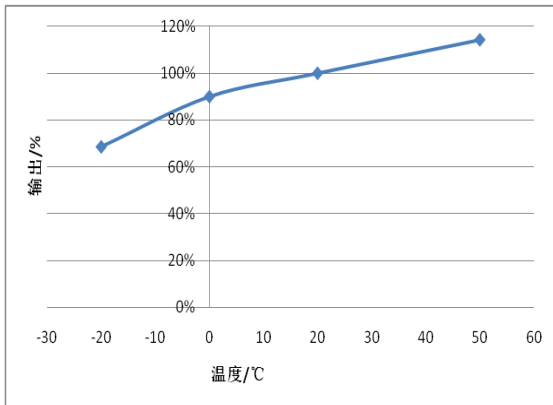
Features of sensitivity, response and recovery



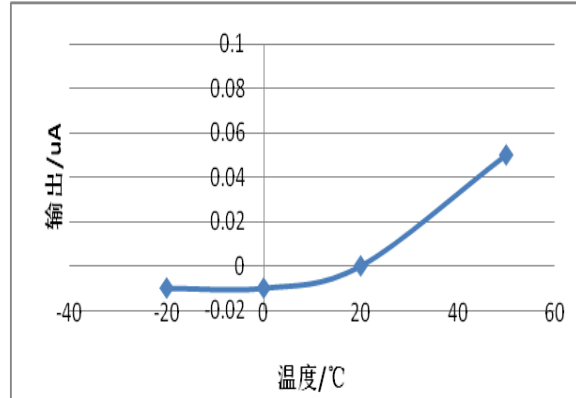
Data graph of concentration linearity features



Sensor output upon variable temperature



V0 Change upon variable temperature



7. Anti-Interference:

ME2-CO-Φ14x50-C sensor also responds to other gases besides CO. Below are the response characteristics of interferential gases

Gas	Concentration	ME2-CO-Φ14x50-C
H ₂ S	100ppm	0ppm
C ₂ H ₄	100ppm	80ppm
NO	35ppm	6ppm
NO ₂	5ppm	0ppm
C ₂ H ₅ OH	1000ppm	0ppm
CL ₂	10ppm	1ppm
S ₂	20ppm	0.6ppm
H ₂	500ppm	43ppm
NH ₃	50ppm	1ppm
CH ₃ CL	5ppm	0ppm
ET ₀	10ppm	0ppm
C ₆ H ₆	100ppm	1.5ppm
C ₃ H ₆ O	100ppm	3.5ppm
CH ₃ OH	200ppm	0ppm

Application Notes:

- Tin soldering is prohibited.
- Before using, power on to aging for more than 48 hours is necessary.
- Don't disassemble the sensor to avoid the damage caused by electrolyte leakage.
- Avoid contacting organic solvent (including Silicone rubber and other adhesive), coatings, medicine, oil and high concentration gases.
- All the electrochemical sensors shall not be encapsulated completely by resin materials, and shall not immerse in non-oxygen environment, otherwise, it will damage the function of sensor
- All electrochemical sensors shall not be applied in corrosive gas environment, or the sensor will be damaged
- Zero calibration should be finished in clean air.
- During test and usage, sensors should avoid the gas inflow vertically
- The side for inflow can't be choked and polluted.
- The laminating film above the sensor surface can't be uncovered and damage.
- Excessive impact or vibration should be avoided
- It takes some time for the sensor to return to normal state after it is applied in high concentration gas
- Working electrode and reference electrode of the sensor shall be in short circuit when stored

- Prohibit to use the hot cement or sealant of which the curing temperature is higher than 80°C to make the capsulation for the sensor.
- Prohibit storage and usage for long time in alkaline gases with high concentration.
- Do not use the sensor when the shell is damaged

Note: To keep continual product development, we reserve right to change design features without prior notice !

Zhengzhou Winsen Electronics Technology Co., Ltd

Add.: NO.299 Jin Suo Road, National Hi-Tech Zone,
Zhengzhou, 450001 China

Tel.: 0086-371-67169097 67169670

Fax:0371-60932988

E-mail:sales@winsensor.com