

PCB Support Series

KLS8-DBK Series

Specification parameters

Materials: Brass

Plating: according to customer requirements

Size:

D: M2.5; M3; M4; 4#40; 6#32

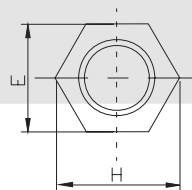
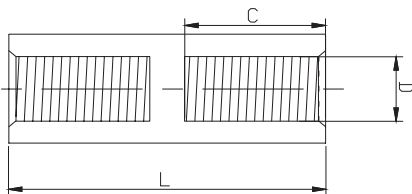
E: 5; 6

H: 5.5; 7

L: According to customer requirements

B: According to customer requirements

C: According to customer requirements



| TYPE | D | E | H | L |
|---------------|------|-------|---------|---|
| KLS1-DBK-M2.5 | M2.5 | 5-0.2 | 5.5-0.2 | |
| KSL1-DBK-M3 | M3.0 | 5-0.2 | 5.5-0.2 | |
| KLS1-DBK-M4 | M4.0 | 6-0.2 | 7-0.2 | |
| KLS1-DBK-4#40 | 4#40 | 5-0.2 | 5.5-0.2 | |
| KLS1-DBK-6#32 | 6#32 | 6-0.2 | 7-0.2 | |

ORDER INFORMATION

Product NO.: **KLS8-DBK-M3-E5.0-L10**

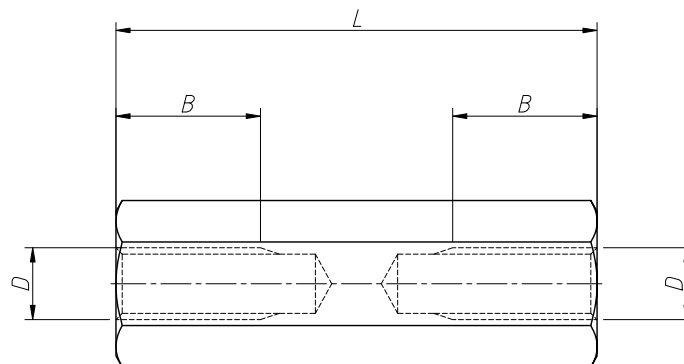
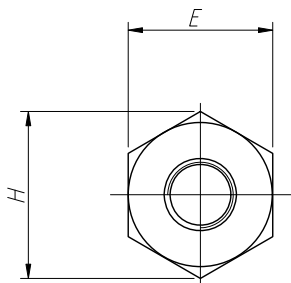
Pos. No. _____

Series No. _____

See drawings

1
RoHS Compliance

| | | | | | | |
|-----|----------|---------------------|---|-------|------------|---|
| 2 | 3 | 4 | 5 | 6 | 7 | 8 |
| REV | SYM | Revision Record | | Appr. | Date | |
| V0 | KLS08063 | New Version Release | | Song | 2024-05-27 | |



Order Information:

L-KLS8-DBK-M2-EX-LX+B-(A)

L: RoHS
 Series NO.
 Screw D: M2, M2.5
 M3, M4, M5, M6
 Size E: Standard: 3.0 ~ 8.0
 Unstandard: 4.0 ~ 10.0
 Length: 5-60mm
 Thread Length: Standard: 6.0mm
 Unstandard: customized
 Plated Code:
 Blank: No Plated A: Ni Plated

| ITEM | D | E(standard) | E(Unstandard) | H(standard) | L | B | Plated:-(A) |
|-----------------------------|------|-------------|---------------|-------------|--------|--|------------------|
| L-KLS8-DBK-M2-EX-LX-(A) | M2 | E3.0 | E4.0 | 3.4 | 5-60mm | 5-20 allows for penetration, 21-60:6mm | Blank: No Plated |
| L-KLS8-DBK-M2-EX-LX+B-(A) | M2 | E3.0 | E4.0 | 3.4 | 5-60mm | According to customer requirements | |
| L-KLS8-DBK-M2.5-EX-LX-(A) | M2.5 | E4.7 | E5.0/E6.0 | 5.3 | 5-60mm | 5-20 allows for penetration, 21-60:6mm | |
| L-KLS8-DBK-M2.5-EX-LX+B-(A) | M2.5 | E4.7 | E5.0/E6.0 | 5.3 | 5-60mm | According to customer requirements | |
| L-KLS8-DBK-M3-EX-LX-(A) | M3 | E4.7 | E5.0 | 5.3 | 5-60mm | 5-20 allows for penetration, 21-60:6mm | |
| L-KLS8-DBK-M3-EX-LX+B-(A) | M3 | E4.7 | E5.0 | 5.3 | 5-60mm | According to customer requirements | |
| L-KLS8-DBK-M4-EX-LX-(A) | M4 | E5.5/E6.0 | E7.0 | 6.2/6.8 | 5-60mm | 5-20 allows for penetration, 21-60:6mm | -A: Ni Plated |
| L-KLS8-DBK-M4-EX-LX+B-(A) | M4 | E5.5/E6.0 | E7.0 | 6.2/6.8 | 5-60mm | According to customer requirements | |
| L-KLS8-DBK-M5-EX-LX-(A) | M5 | E7.0 | E8.0 | 7.9 | 5-60mm | 5-20 allows for penetration, 21-60:6mm | |
| L-KLS8-DBK-M5-EX-LX+B-(A) | M5 | E7.0 | E8.0 | 7.9 | 5-60mm | According to customer requirements | |
| L-KLS8-DBK-M6-EX-LX-(A) | M6 | E8.0 | E10.0 | 9.0 | 5-60mm | 5-20 allows for penetration, 21-60:6mm | |
| L-KLS8-DBK-M6-EX-LX+B-(A) | M6 | E8.0 | E10.0 | 9.0 | 5-60mm | According to customer requirements | |

Notes:

- Materials: Brass H59,
No Plated Or Ni Plated
- All Unmarked Chamfers are C0.2 Max
- All Unmarked Tolerances are GB/T1804-m

| | | | |
|-------------------|------------|------------------------|---------------------------------|
| ANGLE TOLERANCE | PROJECTION | Description: | |
| ±3° | | Brass Hexagonal Spacer | |
| GENERAL TOLERANCE | UNITS | mm | KLS P/N: L-KLS8-DBK |
| .x ±0.30 | SHEET SIZE | A4 | NingBo KLS ELECTRONIC CO.,L TD. |
| .xx ±0.20 | Draw: | Song | |
| .xxx ±0.10 | Check: | Daniel | |