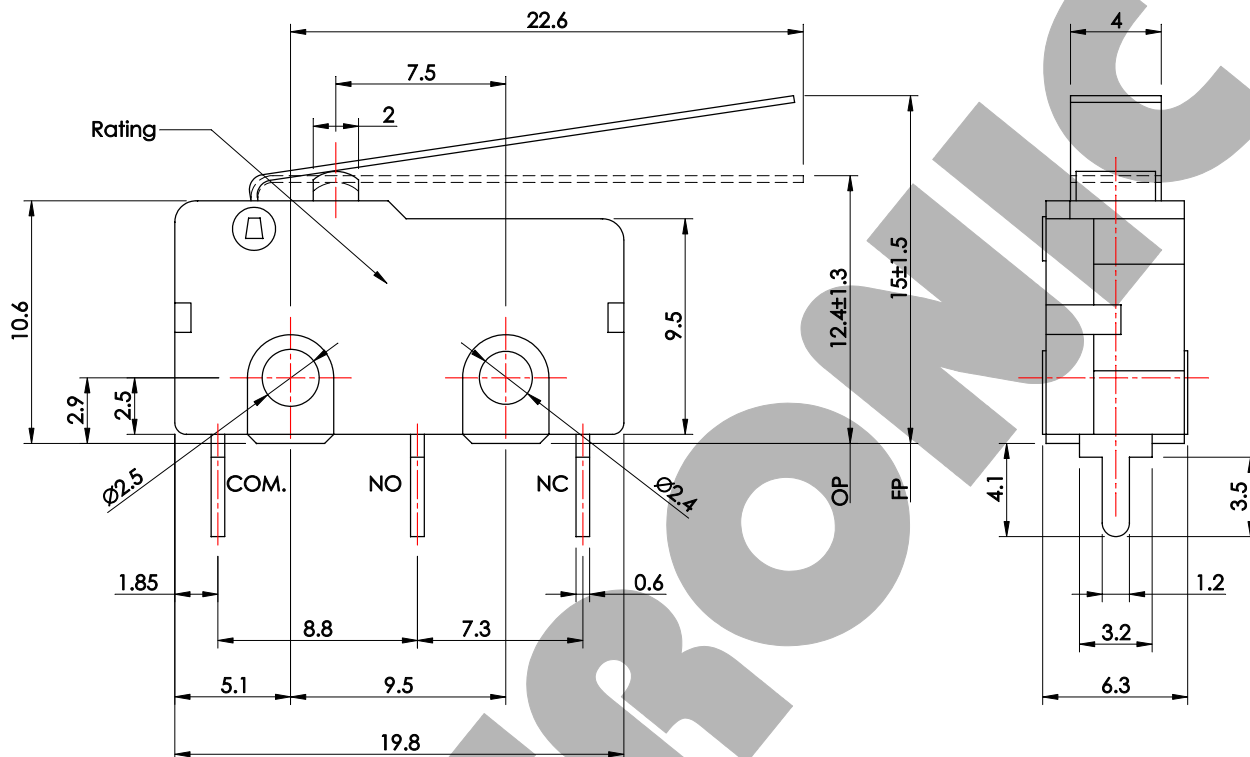


\*開關產品未經SWITRONIC同意，請勿拆解，否則無法負品質及安全責任。

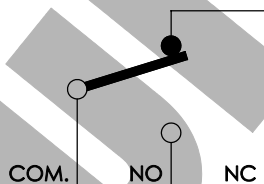
Please do not decompose the switch without any permission from SWITRONIC, otherwise the quality and safety responsibility could not be guaranteed.

\*本圖面若與目錄之規格尺寸不符，以本圖面規格尺寸為主。

Below is our main specification if different from catalog.



SCHEMATIC



RoHS compliant

SMX-03P-XXG-G

RATING	
3	3A 125V AC / 250V AC
5	5A 125V AC / 250V AC

OPERATING FORCE
10, 15, 18, 20, 25, (28), 35, 45, 53
( ): Standard

**SPECIFICATION**

Rating: 5A 125 / 250V AC.

Contact resistance: ≤100mΩ.(initial)

Insulation resistance: ≥100MΩ at 500V DC.

Withstand voltage: 1,000V AC for 1 minute.

Operating temperature: -10°C ~ +60°C.

Ambient humidity: <85%RH.

Operating force: 28±12g.

Minimum load: 200mA 10V DC.(reference only)

Mechanical life: 1,000,000 Cycles.

Electrical life: 10,000 Cycles.

Soldering temperature: 225°C Max. for 3 sec.

Soldering time: 1 time only.

Note1: Unwashable, don't be immersed by epoxy and organic solvent.

Note2: Please check the actual size, do not scale the drawing page.



V2.4	▲		
V2.3	無	改版	2015.06.03
版本 VER.	符號 SYMBOL	修改內容 ALTERATION	更新日期 DATE

產品 PRODUCT		Micro Switch		型號 MODEL NO.	SM5-03P-28G-G
比例 SCALE	3 : 1	單位 UNIT	mm		
公差 TOLERANCE	.X=±0.3mm, .XX=±0.2mm				
製圖 DRAWN BY	核圖 CHECKED BY	主管 APPROVED BY			
Allen Liao	Chuck Young	Margaret Lee			
				<b>一綺電子企業股份有限公司</b> 總公司：110 台北市信義路四段415號13樓之3 13F-3 NO. 415, SEC. 4, HSIN YI ROAD, TAIPEI, TAIWAN TEL : 886-2-27290229 (Rep.) FAX : 886-2-27582086 URL : http://www.switronic.com.tw E-MAIL : switches@ms36.hinet.net	