

# X20(c)DIF371

## 1 General Information

The module is equipped with 16 inputs for 1-wire connections. The module is designed for sink input wiring.

- 16 digital inputs
- Sink connection
- 1-wire connections
- Software input filter can be configured for entire module

## 2 Coated modules

Coated modules are X20 modules with a protective coating for the electronics component. This coating protects X20c modules from condensation and corrosive gases.

The modules' electronics are fully compatible with the corresponding X20 modules.

**For simplification purposes, only images and module IDs of uncoated modules are used in this data sheet.**

The coating has been certified according to the following standards:

- Condensation: BMW GS 95011-4, 2x 1 cycle
- Corrosive gas: EN 60068-2-60, Method 4, exposure 21 days



## 3 Order data


Model number	Short description	Figure
	<b>Digital inputs</b>	
X20DIF371	X20 digital input module, 16 inputs, 24 VDC, sink, configurable input filter, 1-wire connections	
X20cDIF371	X20 digital input module, coated, 16 inputs, 24 VDC, sink, configurable input filter, 1-wire connections	
	<b>Required accessories</b>	
	<b>Bus modules</b>	
X20BM11	X20 bus module, 24 VDC keyed, internal I/O supply continuous	
X20cBM11	X20 bus module, coated, 24 VDC keyed, internal I/O supply continuous	
	<b>Terminal blocks</b>	
X20TB1F	X20 terminal block, 16-pin, 24 VDC keyed	

Table 1: X20DIF371, X20cDIF371 - Order data

## 4 Technical data


Product ID	X20DIF371	X20cDIF371
<b>Short description</b>		
I/O module	16 digital inputs 24 VDC for 1-wire connections	
<b>General information</b>		
B&R ID code	0xC0E8	0xDD44
Status indicators	I/O function per channel, operating state, module status	
Diagnostics		
Module run/error	Yes, using status LED and software	
Power consumption		
Bus	0.18 W	
Internal I/O	-	
External I/O	1.47 W	
Additional power dissipation caused by the actuators (resistive) [W]	-	
Electrical isolation		
Channel - Bus	Yes	
Channel - Channel	No	
Certification		
CE	Yes	
cULus	Yes	-
ATEX Zone 2 <sup>1)</sup>	Yes	-
KC	Yes	-
GL	Yes	-
LR	Yes	-
GOST-R	Yes	
<b>Digital inputs</b>		
Nominal voltage	24 VDC	
Input voltage	24 VDC -15% / +20%	
Input current at 24 VDC	Typ. 2.68 mA	
Input filter		
Hardware	≤100 μs	
Software	Default 1 ms, configurable between 0 and 25 ms in 0.2 ms intervals	
Connection type	1-wire connections	
Input circuit	Sink	
Input resistance	Typ. 8.9 kΩ	
Simultaneity <sup>2)</sup>		
With 24 V I/O power supply	100% (16 channels) <sup>3)</sup>	
With 28.8 V I/O power supply	75% (12 channels) <sup>3)</sup>	
Switching threshold		
Low	<5 VDC	
High	>15 VDC	
Isolation voltage between channel and bus	500 V <sub>eff</sub>	
<b>Operating conditions</b>		
Mounting orientation		
Horizontal	Yes	
Vertical	Yes	
Installation at elevations above sea level		
0 to 2000 m	No limitations	
>2000 m	Reduction of ambient temperature by 0.5°C per 100 m	
EN 60529 protection	IP20	
<b>Environmental conditions</b>		
Temperature		
Operation		
Horizontal installation	-25 to 60°C	
Vertical installation	-25 to 50°C	
Derating	See section "Derating"	
Storage	-40 to 85°C	
Transport	-40 to 85°C	
Relative humidity		
Operation	5 to 95%, non-condensing	Up to 100%, condensing
Storage	5 to 95%, non-condensing	
Transport	5 to 95%, non-condensing	
<b>Mechanical characteristics</b>		
Note	Order 1x X20TB1F terminal block separately Order 1x X20BM11 bus module separately	Order 1x X20TB1F terminal block separately Order 1x X20cBM11 bus module separately
Spacing	12.5 <sup>+0.2</sup> mm	

Table 2: X20DIF371, X20cDIF371 - Technical data

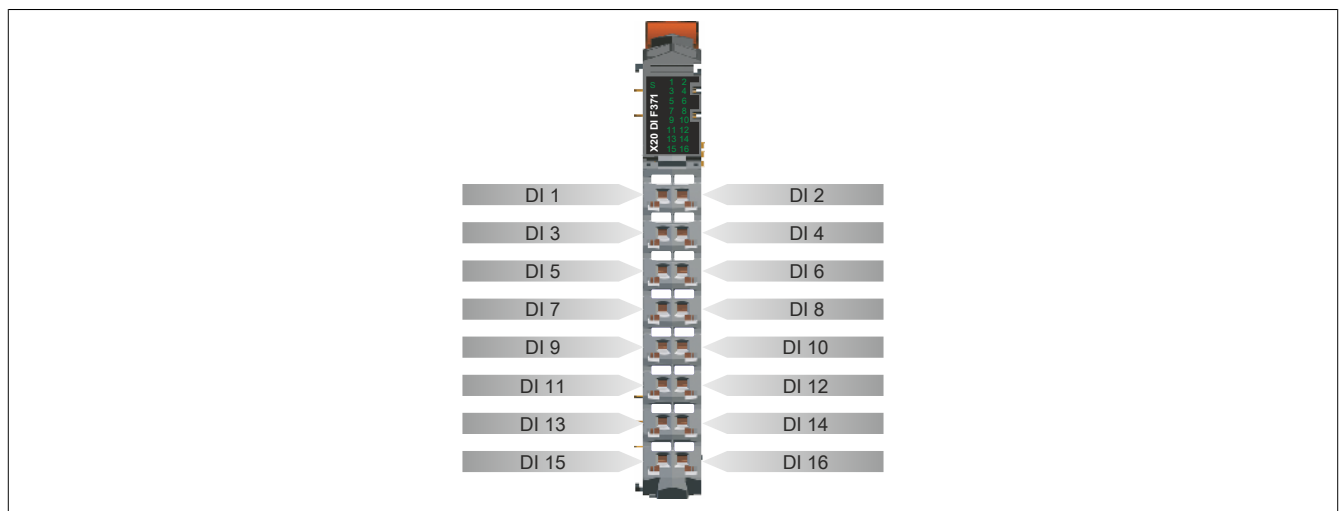
- 1) Ta min.: 0°C  
Ta max.: See environmental conditions
- 2) Maximum permitted number of simultaneously enabled inputs
- 3) Derating must be taken into consideration.

## 5 Status LEDs

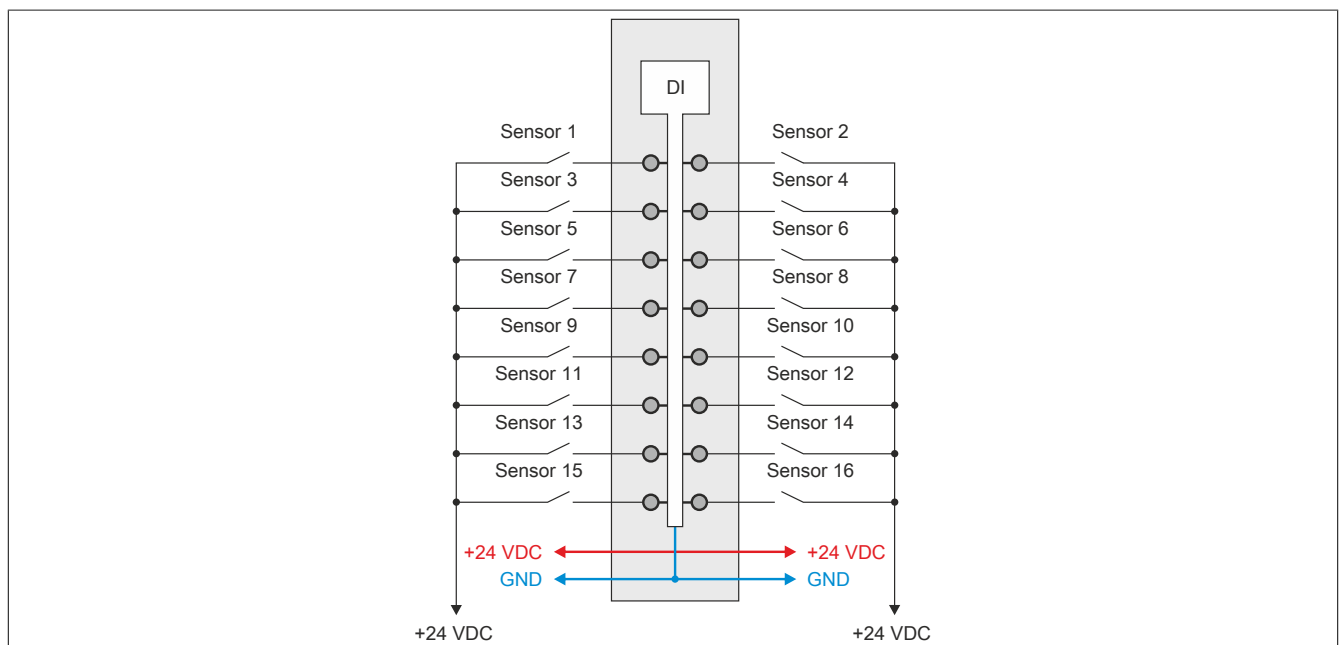
For a description of the various operating modes, see section "re LEDs" in chapter 2 "System characteristics" of the X20 system user's manual.

Image	LED	Color	Status	Description
	S	Green	Off	No power to module
			Single flash	RESET mode
			Blinking	PREOPERATIONAL mode
			On	RUN mode
		Red	Off	Module supply not connected or everything OK
		Red on / Green single flash	Invalid firmware	
	1 - 16	Green		Input status of the corresponding digital input

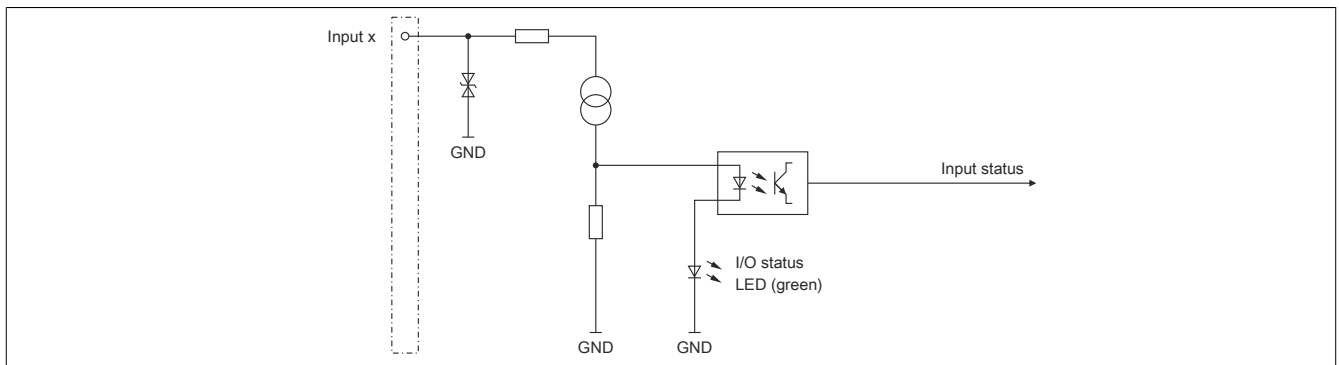
## 6 Pinout



## 7 Connection example

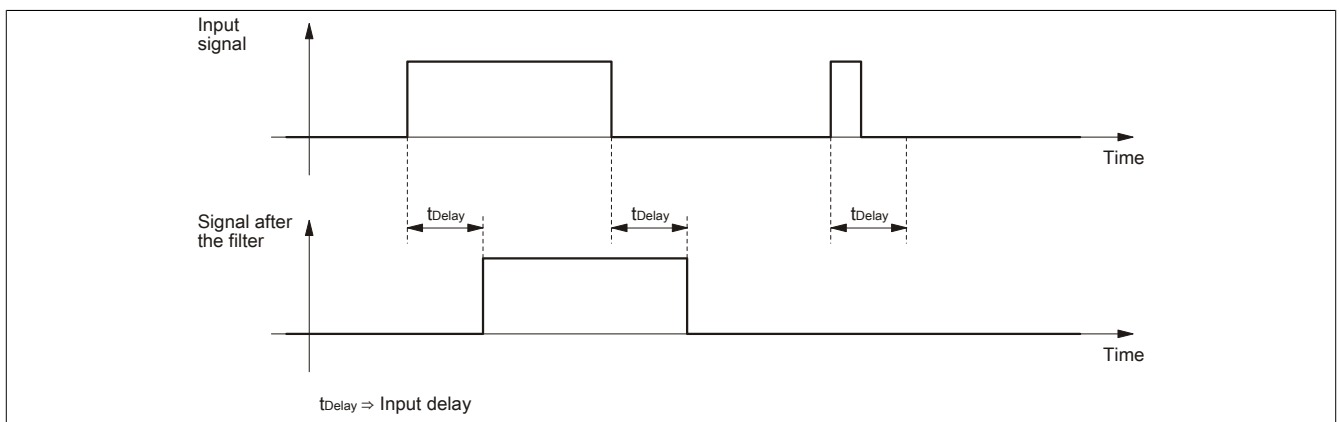


## 8 Input circuit diagram



## 9 Input filter

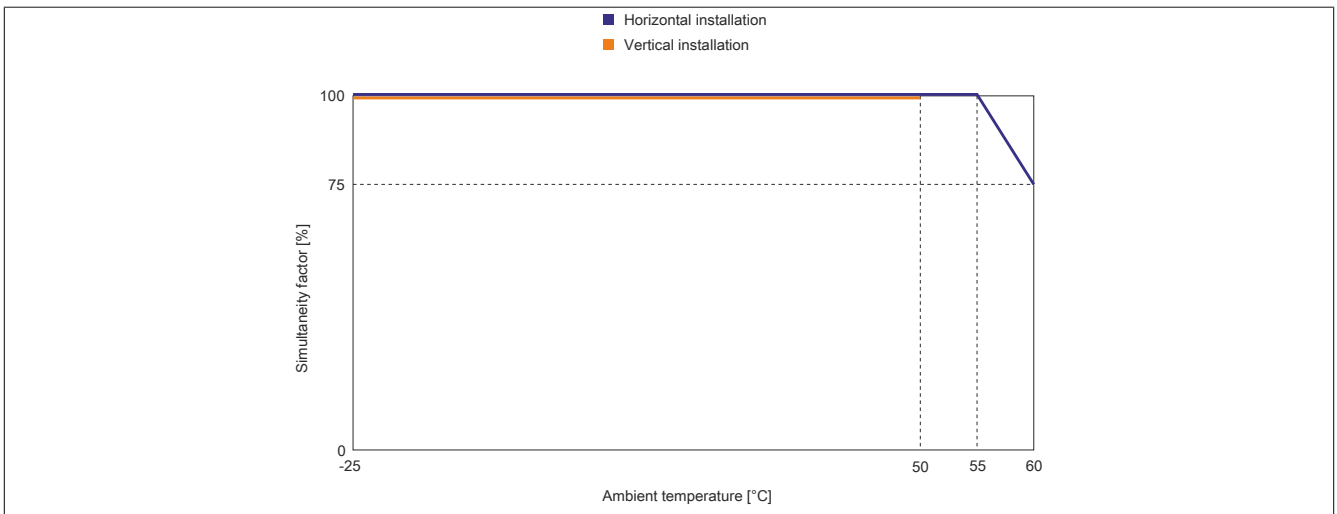
An input filter is available for each input. The input delay can be set using register 11.4.1 "ConfigOutput01". Disturbance pulses which are shorter than the input delay are suppressed by the input filter.



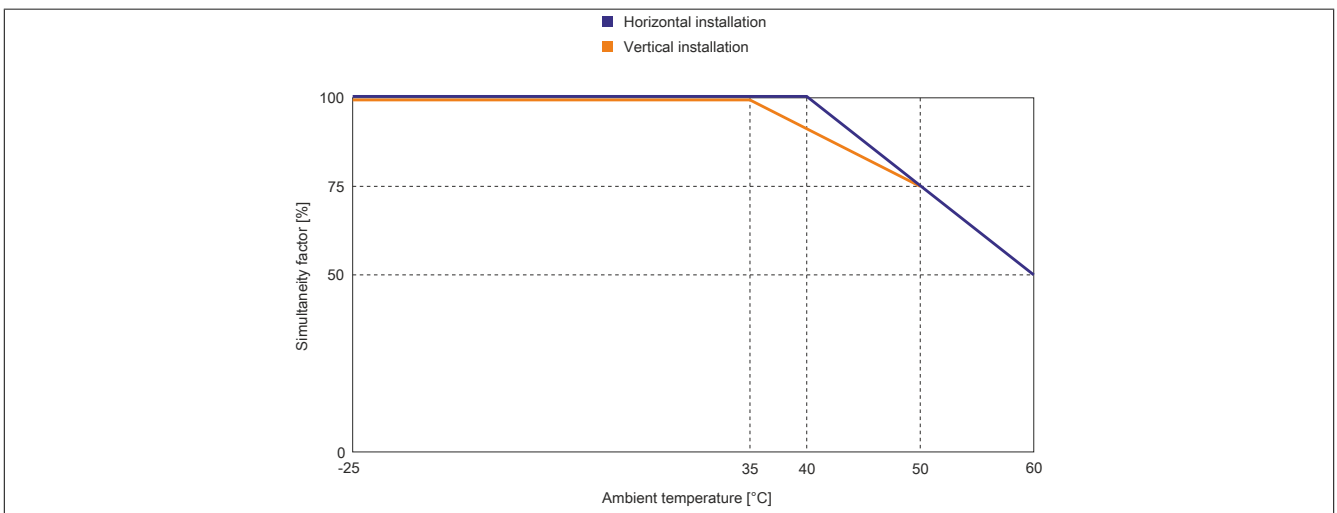
## 10 Derating

Be aware of the derating values below for the simultaneity factor.

### Derating of simultaneity factor at 24 VDC input voltage



### Derating of simultaneity factor at 28.8 VDC input voltage



## 11 Register description

### 11.1 General data points

In addition to the registers listed in the register description, the module also has other more general data points. These registers are not specific to the module but contain general information such as serial number and hardware version.

These general data points are listed in the "General data points" section of chapter 4 "X20 system modules" in the X20 system user's manual.

### 11.2 Function model 0 - Standard

Register	Fixed offset	Name	Data type	Read		Write	
				Cyclic	Acyclic	Cyclic	Acyclic
-	1	DigitalInput	UINT	•			
0	1	Input status of digital inputs 1 to 8	USINT				
		DigitalInput01	Bit 0				
		...	...				
		DigitalInput08	Bit 7				
1	2	Input status of digital inputs 9 to 16	USINT	•			
		DigitalInput09	Bit 0				
		...	...				
		DigitalInput16	Bit 7				
18	-	ConfigOutput01	USINT				•

Fixed modules require their data points to be in a specific order in the X2X frame. Cyclic access occurs according to a predefined offset, not based on the register address.

Acyclic access continues to be based on the register numbers.

### 11.3 Function model 254 - Bus Controller

Register	Offset <sup>1)</sup>	Name	Data type	Read		Write	
				Cyclic	Acyclic	Cyclic	Acyclic
0	0	Input status of digital inputs 1 to 8	USINT	•			
		DigitalInput01	Bit 0				
		...	...				
		DigitalInput08	Bit 7				
1	1	Input status of digital inputs 9 to 16	USINT	•			
		DigitalInput09	Bit 0				
		...	...				
		DigitalInput16	Bit 7				
18	-	ConfigOutput01	USINT				•

1) The offset specifies where the register is within the CAN object.

#### 11.3.1 CAN I/O bus controller

The module occupies 2 digital logical slots on CAN-I/O.

### 11.4 Digital inputs

#### Unfiltered

The input state is collected with a fixed offset to the network cycle and transferred in the same cycle.

#### Filtered

The filtered status is collected with a fixed offset to the network cycle and transferred in the same cycle. Filtering takes place asynchronously to the network in multiples of 200 µs with a network-related jitter of up to 50 µs.

### 11.4.1 Digital input filter

Register name:  
ConfigOutput01

This register can be used to specify the filter value for all digital inputs.

The filter value can be configured in steps of 100  $\mu$ s. It makes sense to enter values in steps of 2, however, since the input signals are sampled every 200  $\mu$ s.

Data type	Value	Filter
USINT	0	No software filter
	2	0.2 ms
	...	...
	250	25 ms - Higher values are limited to this value

### 11.4.2 Input status of digital inputs 1 to 16

Name:  
DigitalInput or  
DigitalInput01 to DigitalInput16

The input status of digital inputs 9 to 16 is mapped in this register.

Function model 0 - Standard only:

The "packed inputs" setting in the AS I/O configuration is used to determine whether all of this register's bits should be set up individually as data points in the AS I/O mapping ("DigitalInput01" through "DigitalInput16") or whether this register should be displayed as an individual UINT data point ("DigitalInput").

Data type	Value	Information
USINT	0 to 65535	Packed inputs = on
	See bit structure	Packed inputs = off or function model $\neq$ 0 - Standard

Bit structure:

#### Register 0:

Bit	Name	Value	Information
0	DigitalInput01	0 or 1	Input status - Digital input 1
...		...	
7	DigitalInput08	0 or 1	Input status - Digital input 8

#### Register 1:

Bit	Name	Value	Information
0	DigitalInput09	0 or 1	Input status - Digital input 9
...		...	
7	DigitalInput16	0 or 1	Input status - Digital input 16

### 11.5 Minimum cycle time

The minimum cycle time defines how far the bus cycle can be reduced without communication errors occurring. It should be noted that very fast cycles decrease the idle time available for handling monitoring, diagnostics and acyclic commands.

Minimum cycle time	
Without filtering	100 $\mu$ s
With filtering	150 $\mu$ s

### 11.6 Minimum I/O update time

The minimum I/O update time defines how far the bus cycle can be reduced while still allowing an I/O update to take place in each cycle.

Minimum I/O update time	
Without filtering	100 $\mu$ s
With filtering	200 $\mu$ s